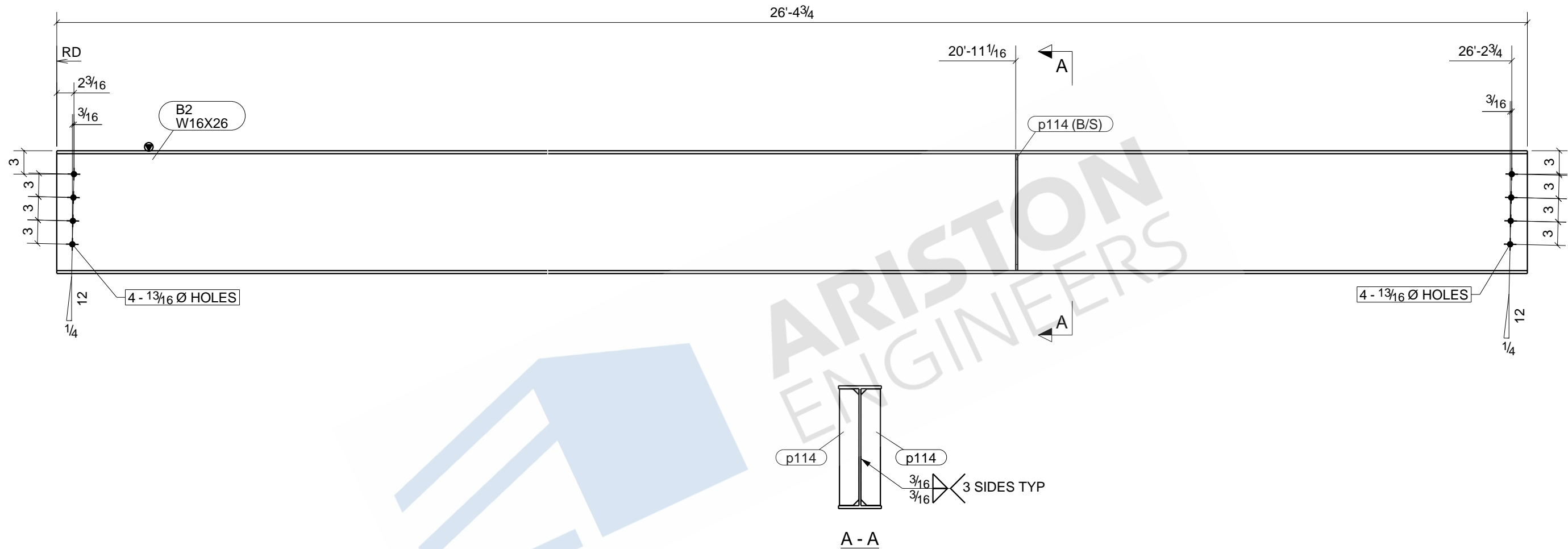


ONE - BEAM - B1

BILL OF MATERIAL

MARK	QTY	DESCRIPTION	LENGTH	WEIGHT	REMARKS
B1	1	BEAM			SQ-2
B1	1	W16X26	26'-5"	690	GREY PRIMER A992
p114	1	FB1/4"X2 1/2"	1'-2 15/16"	3	A36
p3003	1	FB1/4"X2 1/2"	1'-2 15/16"	3	A36
TOTAL WEIGHT THIS DRAWING				696	

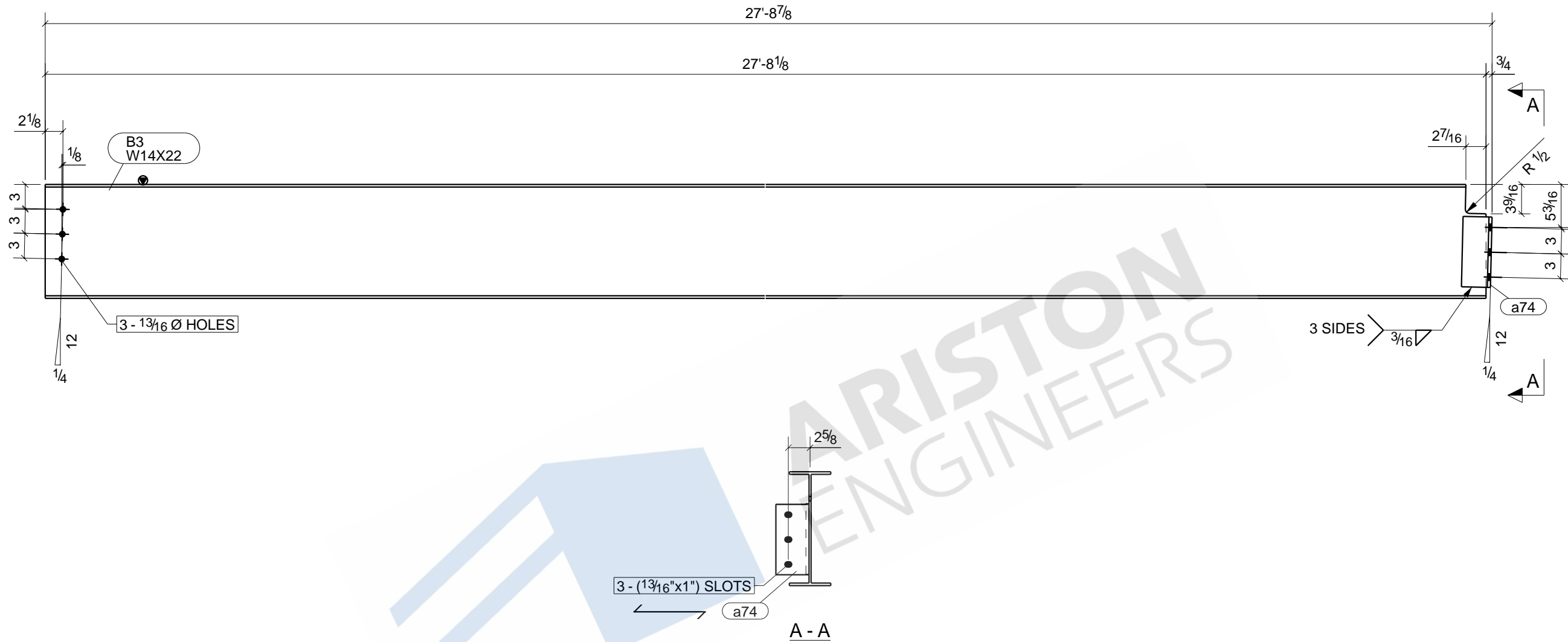
REV	DESCRIPTION	DATE
DESCRIPTION		BEAM
PROJECT NAME		NEW ANNEX BUILDING
GC NAME		
DRAWN BY	NSP	JOB No.
DATE DRAWN		DRG No.
		B1



ONE - BEAM - B2

BILL OF MATERIAL

MARK	QTY	DESCRIPTION	LENGTH	WEIGHT	REMARKS	DESCRIPTION	BEAM	REV	DESCRIPTION	DATE
B2	1	BEAM			SQ-2	PROJECT NAME	NEW ANNEX BUILDING			
B2	1	W16X26	26'-4 3/4"	690	GREY PRIMER A992	GC NAME				
p114	2	FB1/4"X2 1/2"	1'-2 15/16"	5	A36	DRAWN BY	NSP		JOB No.	DRG No.
TOTAL WEIGHT THIS DRAWING				695		DATE DRAWN				B2

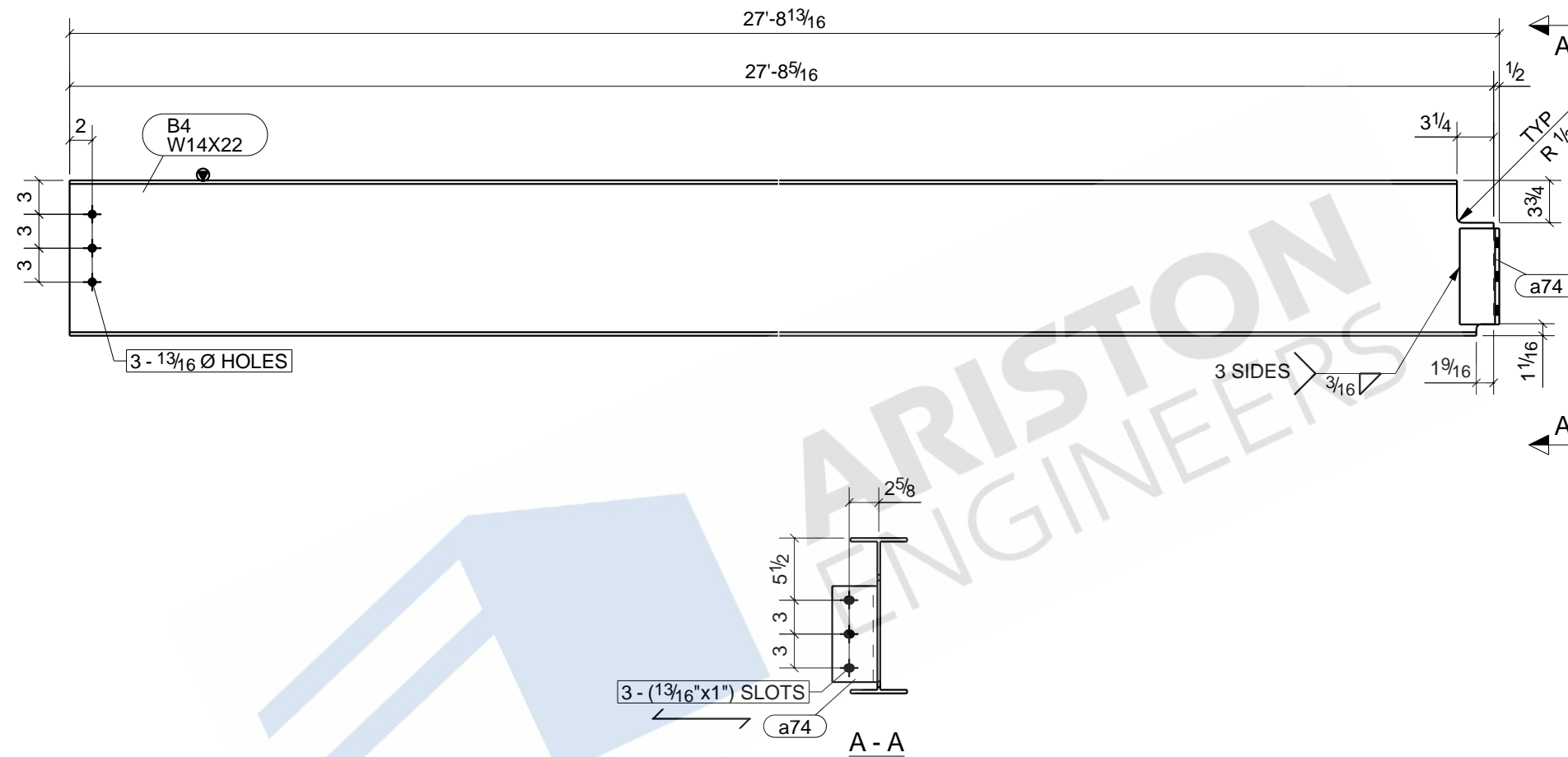


ONE - BEAM - B3

BILL OF MATERIAL

MARK	QTY	DESCRIPTION	LENGTH	WEIGHT	REMARKS	DESCRIPTION	BEAM	
B3	1	BEAM			SQ-2	PROJECT NAME	NEW ANNEX BUILDING	
B3	1	W14X22	27'-8 1/8"	611	GREY PRIMER A992	GC NAME		
a74	1	L4X3-1/2X3/8	0'-8 1/2"	6	A36	DRAWN BY	NSP	
TOTAL WEIGHT THIS DRAWING				618		DATE DRAWN		
							JOB No.	DRG No.
								B3

REV	DESCRIPTION	DATE

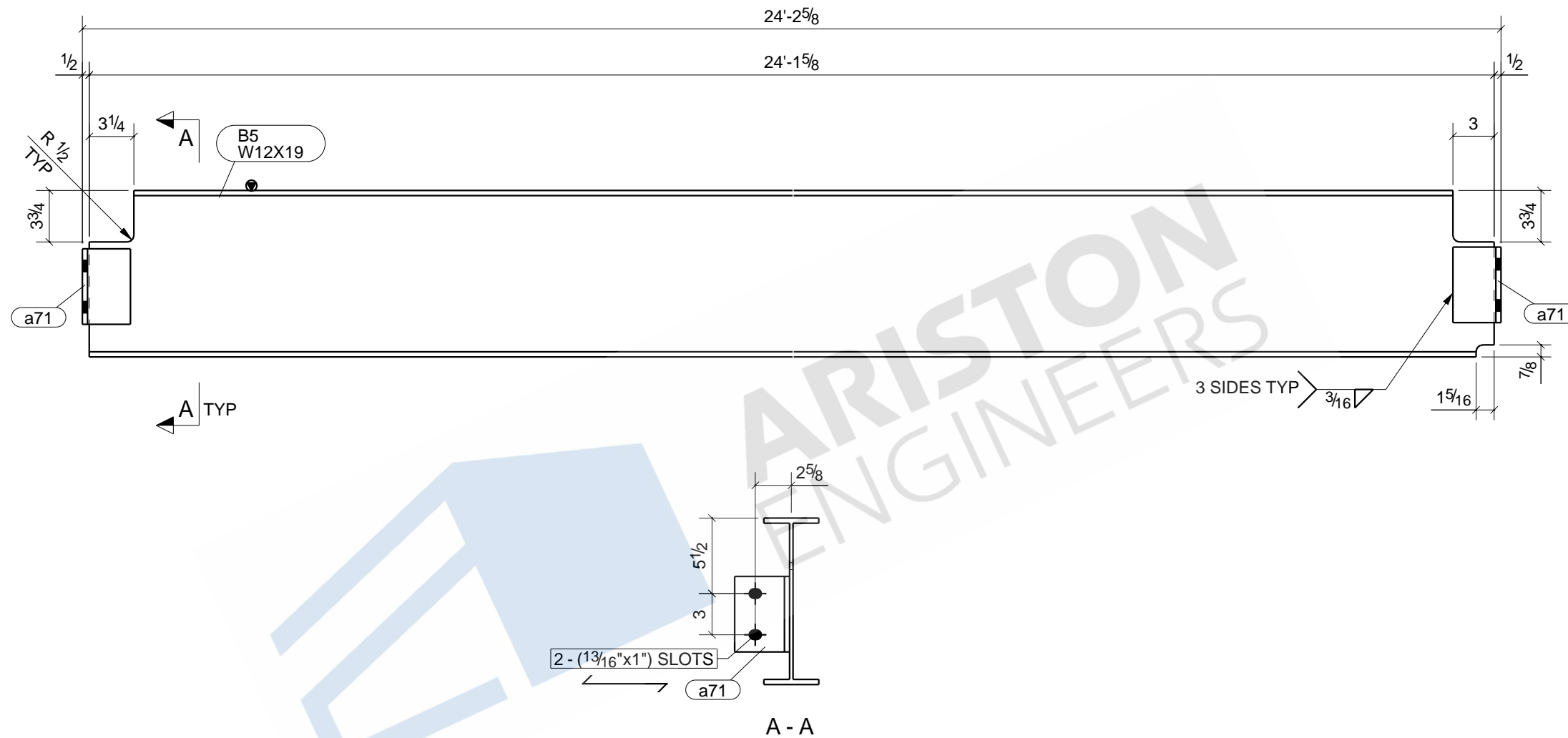


ONE - BEAM - B4

BILL OF MATERIAL

MARK	QTY	DESCRIPTION	LENGTH	WEIGHT	REMARKS
B4	1	BEAM			SQ-2
B4	1	W14X22	27'-8 5/16"	612	GREY PRIMER A992
a74	1	L4X3-1/2X3/8	0'-8 1/2"	6	A36
TOTAL WEIGHT THIS DRAWING				618	

REV	DESCRIPTION	DATE										
<table border="1"> <thead> <tr> <th>DESCRIPTION</th> <th>BEAM</th> </tr> </thead> <tbody> <tr> <td>PROJECT NAME</td> <td>NEW ANNEX BUILDING</td> </tr> <tr> <td>GC NAME</td> <td> </td> </tr> <tr> <td>DRAWN BY</td> <td>NSP</td> </tr> <tr> <td>DATE DRAWN</td> <td> </td> </tr> </tbody> </table>			DESCRIPTION	BEAM	PROJECT NAME	NEW ANNEX BUILDING	GC NAME		DRAWN BY	NSP	DATE DRAWN	
DESCRIPTION	BEAM											
PROJECT NAME	NEW ANNEX BUILDING											
GC NAME												
DRAWN BY	NSP											
DATE DRAWN												
JOB No.		DRG No. B4										



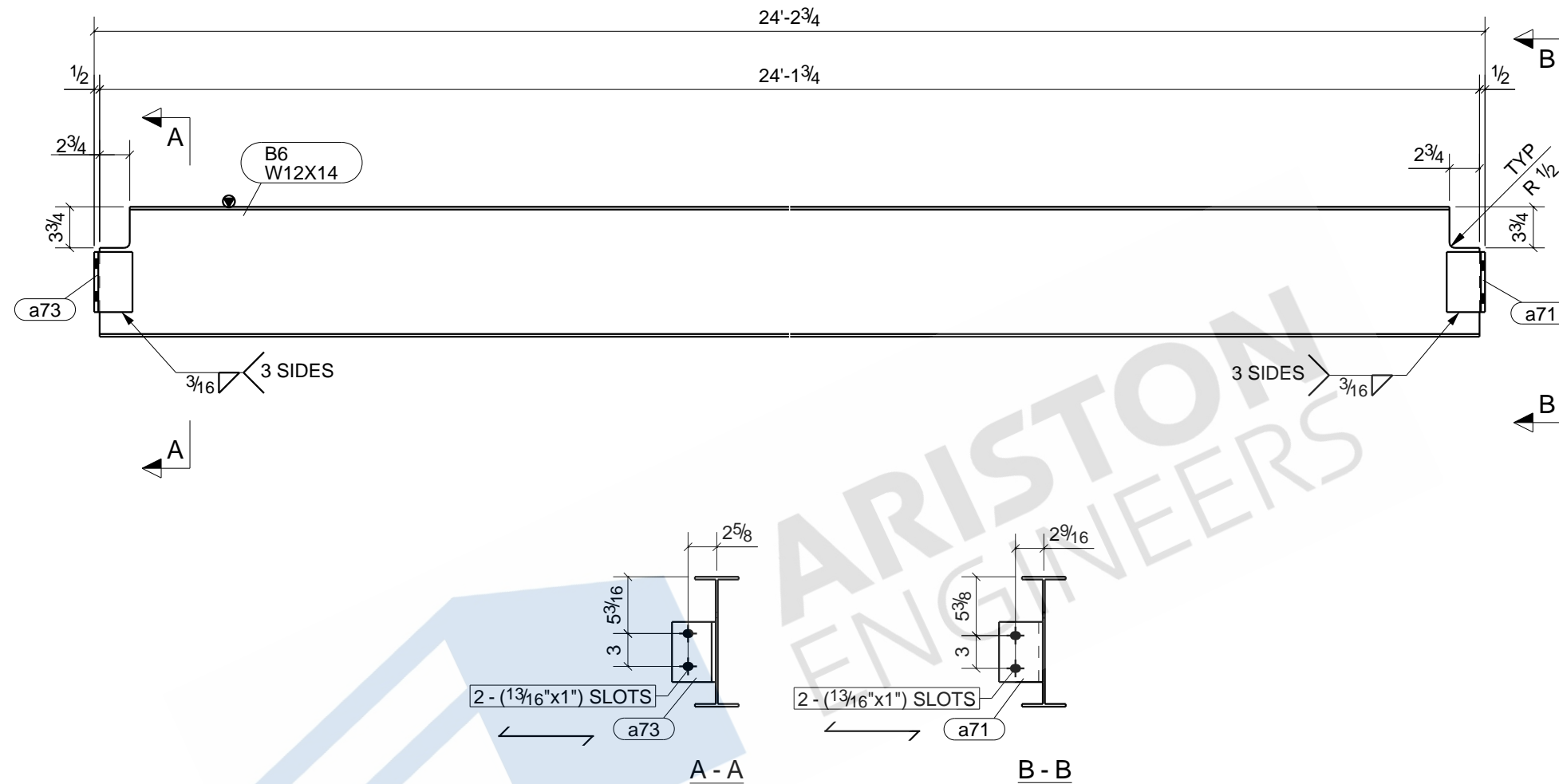
ONE - BEAM - B5

BILL OF MATERIAL

MARK	QTY	DESCRIPTION	LENGTH	WEIGHT	REMARKS
B5	1	BEAM			SQ-2
B5	1	W12X19	24'-1 5/8"	458	GREY PRIMER A992
a71	2	L4X3-1/2X3/8	0'-5 1/2"	8	A36
TOTAL WEIGHT THIS DRAWING				466	

REV	DESCRIPTION	DATE

DESCRIPTION	BEAM
PROJECT NAME	NEW ANNEX BUILDING
GC NAME	
DRAWN BY	NSP
DATE DRAWN	
JOB No.	
DRG No.	B5



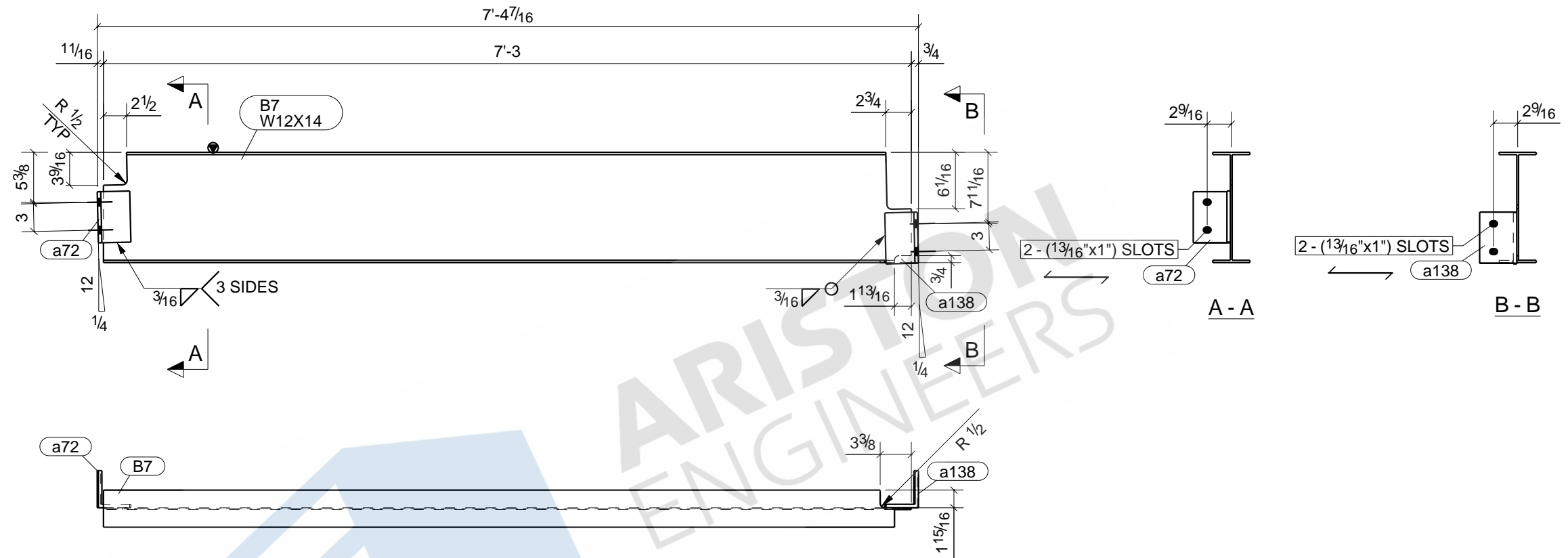
ONE - BEAM - B6

BILL OF MATERIAL

MARK	QTY	DESCRIPTION	LENGTH	WEIGHT	REMARKS
B6	1	BEAM			SQ-2
B6	1	W12X14	24'-1 3/4"	342	GREY PRIMER A992
a71	1	L4X3-1/2X3/8	0'-5 1/2"	4	A36
a73	1	L4X3-1/2X3/8	0'-5 1/2"	4	A36
TOTAL WEIGHT THIS DRAWING				350	

REV	DESCRIPTION	DATE

DESCRIPTION	BEAM
PROJECT NAME	NEW ANNEX BUILDING
GC NAME	
DRAWN BY	NSP
DATE DRAWN	
JOB No.	
DRG No.	B6

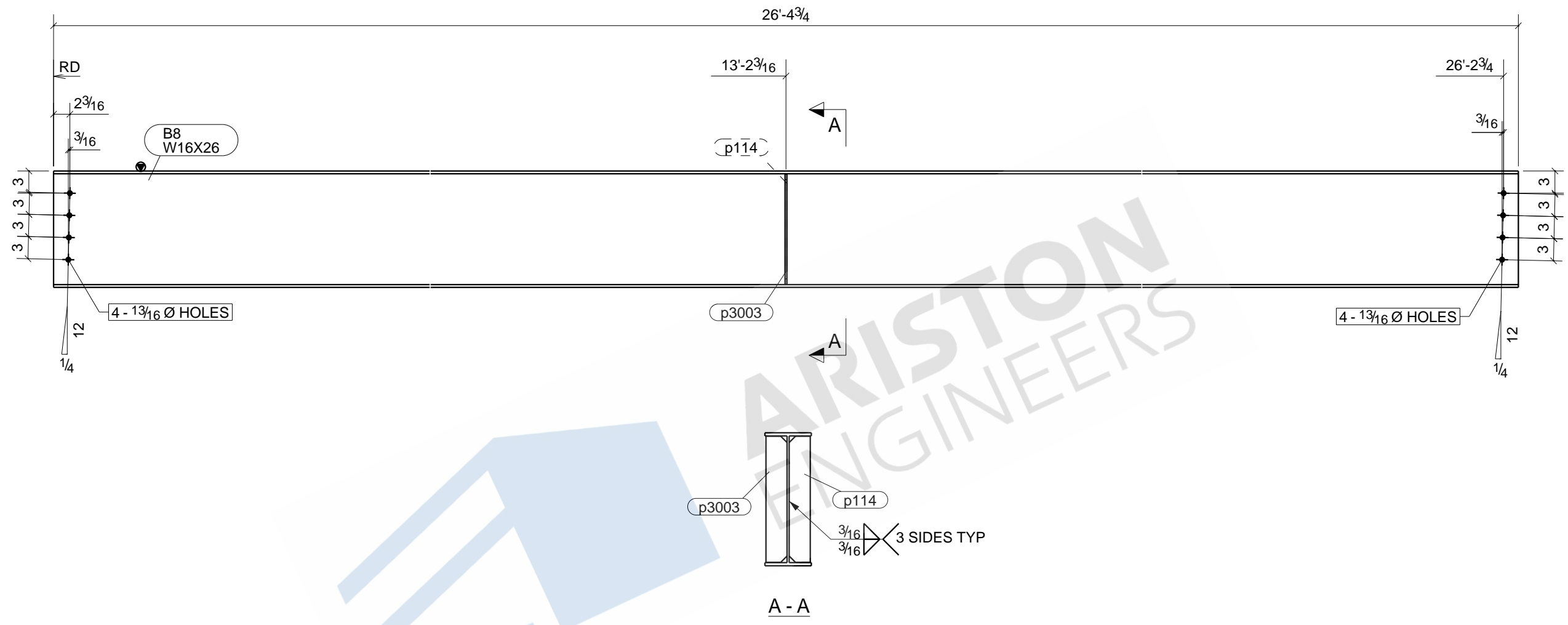


ONE - BEAM - B7

BILL OF MATERIAL

MARK	QTY	DESCRIPTION	LENGTH	WEIGHT	REMARKS
B7	1	BEAM			SQ-2
B7	1	W12X14	7'-3"	103	GREY PRIMER A992
a72	1	L4X3-1/2X3/8	0'-5 1/2"	4	A36
a138	1	L4X3-1/2X3/8	0'-5 1/2"	4	A36
TOTAL WEIGHT THIS DRAWING				111	

REV	DESCRIPTION	DATE
DESCRIPTION		BEAM
PROJECT NAME		NEW ANNEX BUILDING
GC NAME		
DRAWN BY		NSP
DATE DRAWN		
JOB No.		DRG No.
		B7



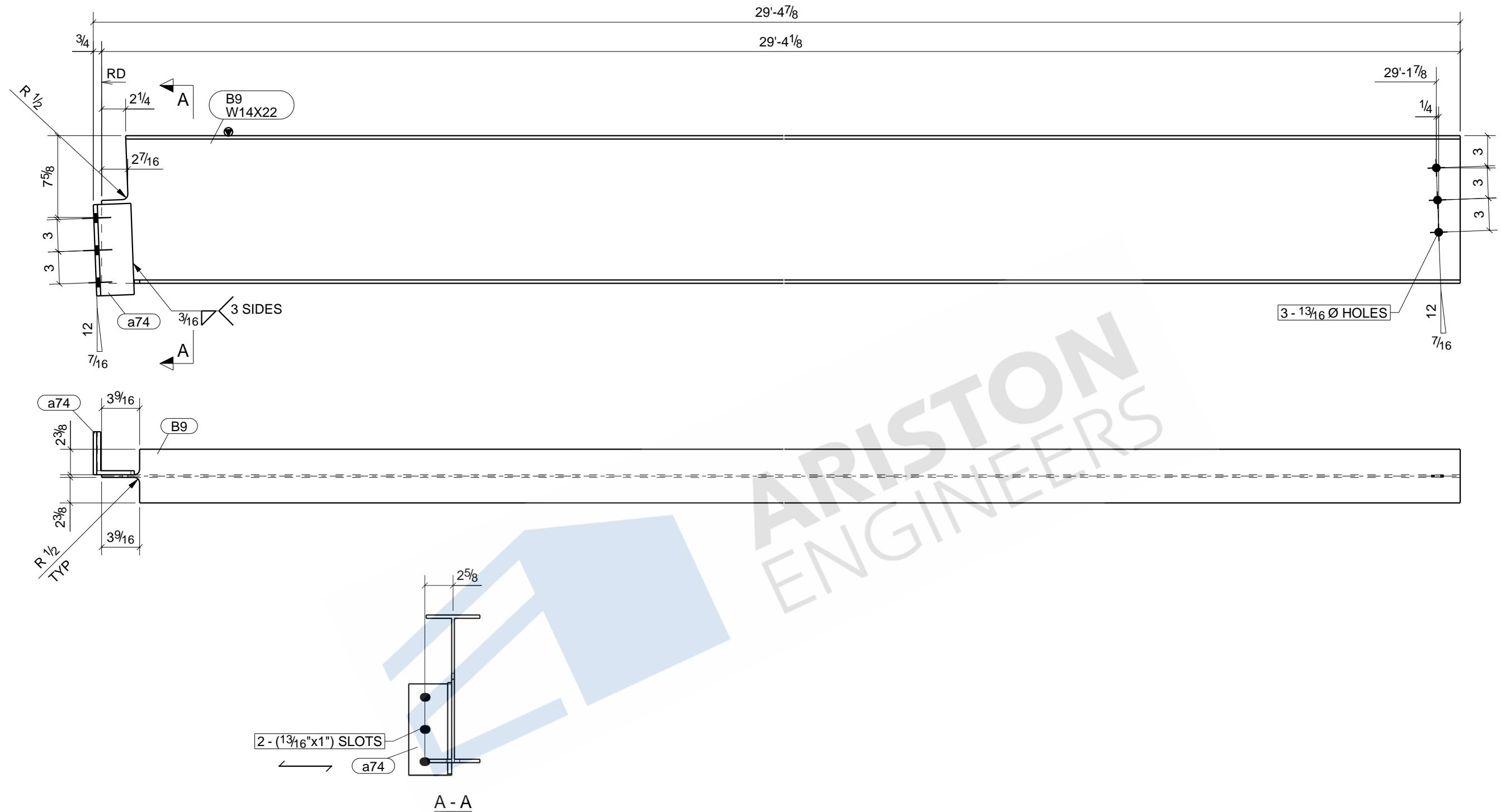
ONE - BEAM - B8

BILL OF MATERIAL

MARK	QTY	DESCRIPTION	LENGTH	WEIGHT	REMARKS
B8	1	BEAM			SQ-2
B8	1	W16X26	26'-4 3/4"	690	GREY PRIMER A992
p114	1	FB1/4"X2 1/2"	1'-2 15/16"	3	A36
p3003	1	FB1/4"X2 1/2"	1'-2 15/16"	3	A36
TOTAL WEIGHT THIS DRAWING				695	

REV	DESCRIPTION	DATE

DESCRIPTION	BEAM
PROJECT NAME	NEW ANNEX BUILDING
GC NAME	
DRAWN BY	NSP
DATE DRAWN	
JOB No.	
DRG No.	B8



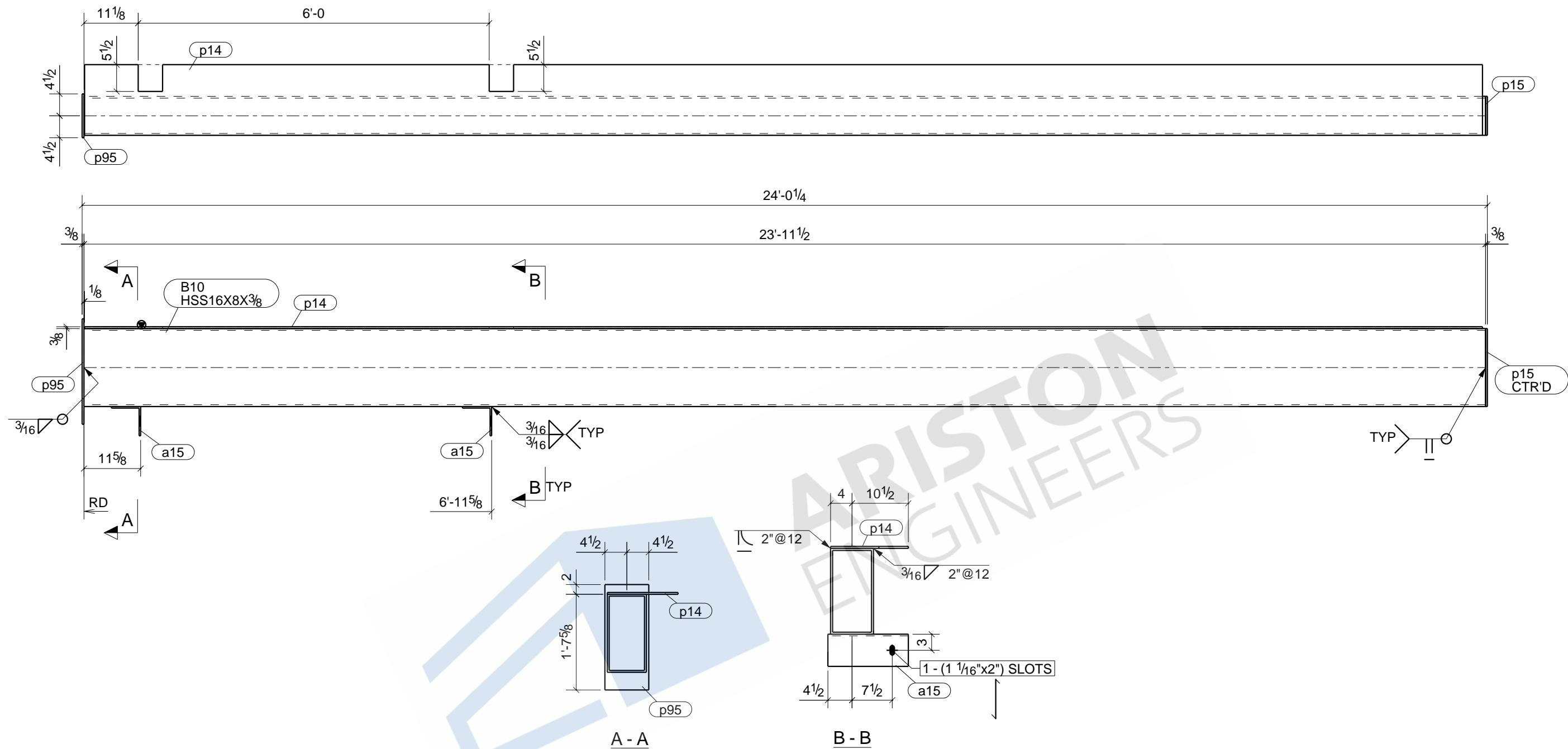
ONE - BEAM - B9

BILL OF MATERIAL

MARK	QTY	DESCRIPTION	LENGTH	WEIGHT	REMARKS	DESCRIPTION	BEAM
B9	1	BEAM			SQ-2	PROJECT NAME	NEW ANNEX BUILDING
B9	1	W14X22	29'-4 1/8"	648	GREY PRIMER A992	GC NAME	
a74	1	L4X3-1/2X3/8	0'-8 1/2"	6	A36	DRAWN BY	NSP
TOTAL WEIGHT THIS DRAWING				655		DATE DRAWN	

REV	DESCRIPTION	DATE

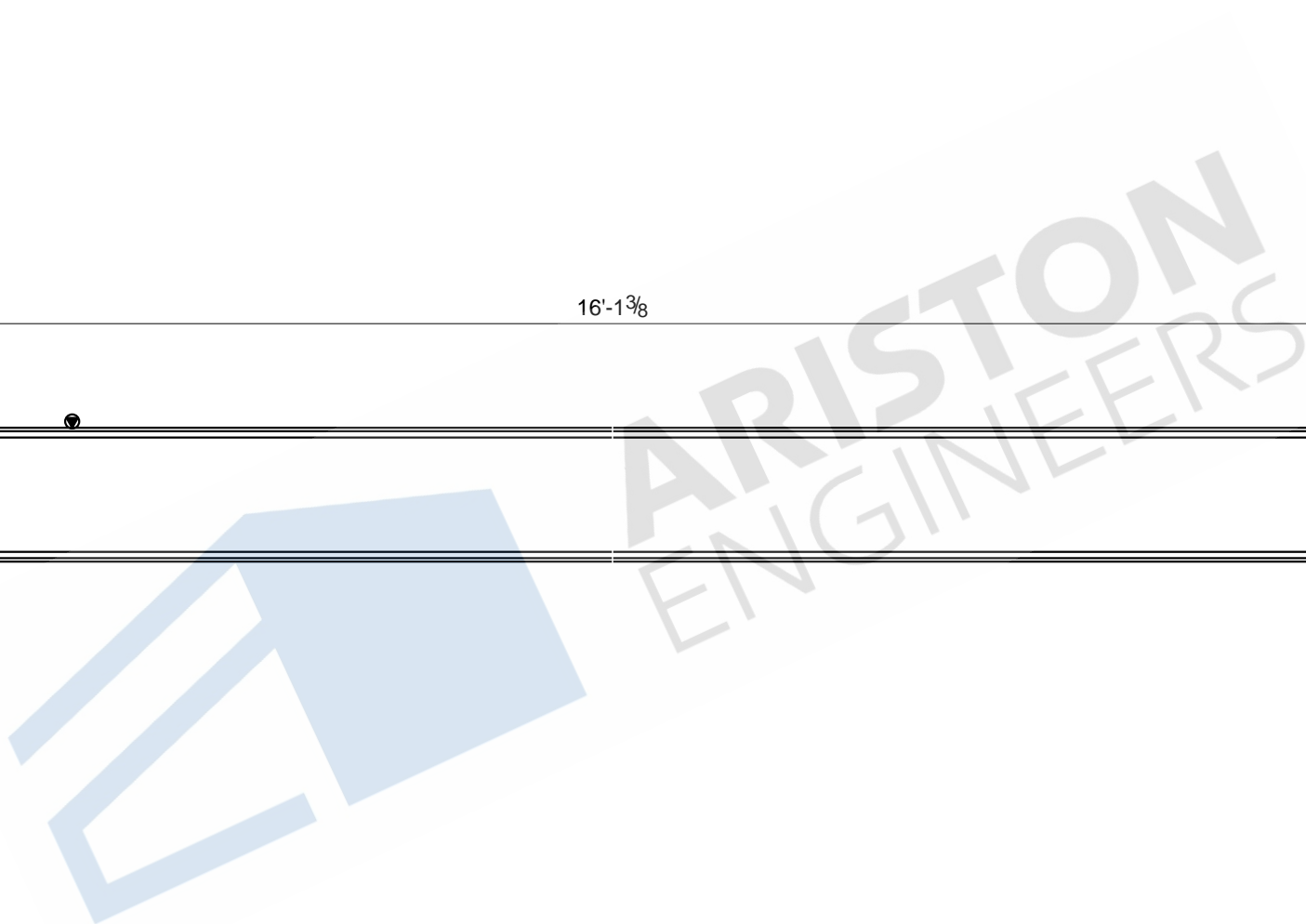
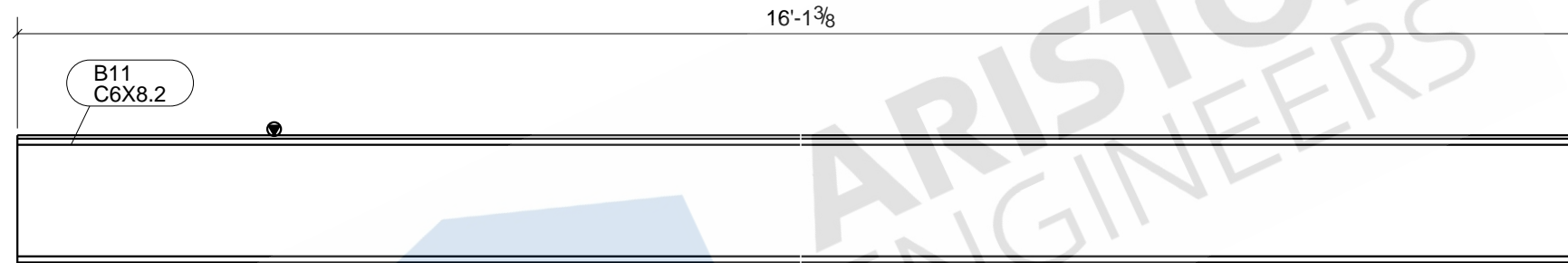
JOB No.	DRG No.
	B9



ONE - BEAM - B10

BILL OF MATERIAL

BILL OF MATERIAL						REV	DESCRIPTION	DATE
MARK	QTY	DESCRIPTION	LENGTH	WEIGHT	REMARKS			
B10	1	BEAM			SQ-2			
B10	1	HSS16X8X3/8	23'-11 1/2"	1305	GREY PRIMER A500-GR.B			
a15	2	L6X6X5/16	1'-3"	31	A36	DESCRIPTION	BEAM	
p14	1	PL3/8"X14 1/2"	23'-10 3/4"	436	A36	PROJECT NAME	NEW ANNEX BUILDING	
p15	1	FB3/8"X8"	1'-4"	14	A36	GC NAME		
p95	1	FB3/8"X9"	1'-9 5/8"	21	GREY PRIMER A36	DRAWN BY	NSP	JOB No.
TOTAL WEIGHT THIS DRAWING				1806		DATE DRAWN		DRG No. B10

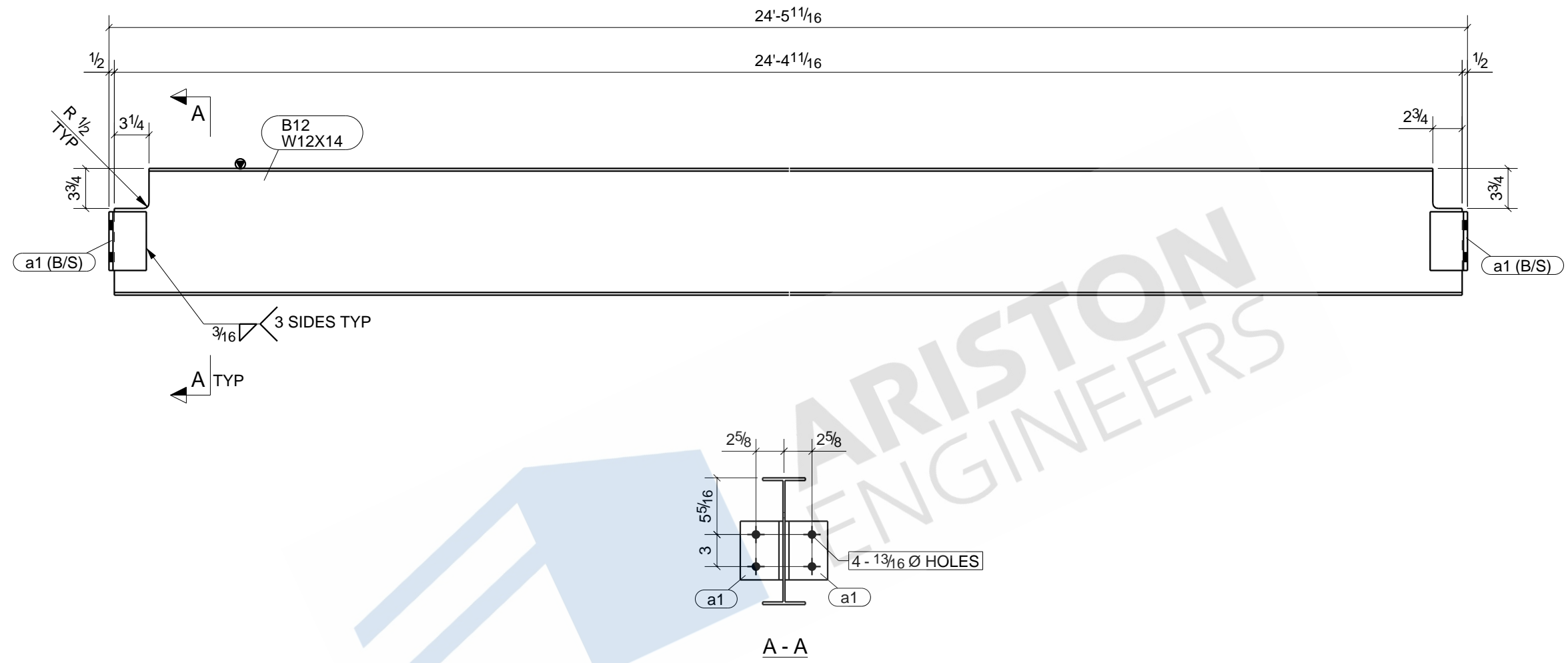


4 - BEAMS - B11

BILL OF MATERIAL

MARK	QTY	DESCRIPTION	LENGTH	WEIGHT	REMARKS
B11	4	BEAMS			SQ-2
B11	4	C6X8.2	16'-1 3/8"	524	PAINT "P2" A36
TOTAL WEIGHT THIS DRAWING				524	

REV	DESCRIPTION	DATE
DESCRIPTION		BEAM
PROJECT NAME		NEW ANNEX BUILDING
GC NAME		
DRAWN BY	NSP	JOB No.
DATE DRAWN		DRG No.
		B11

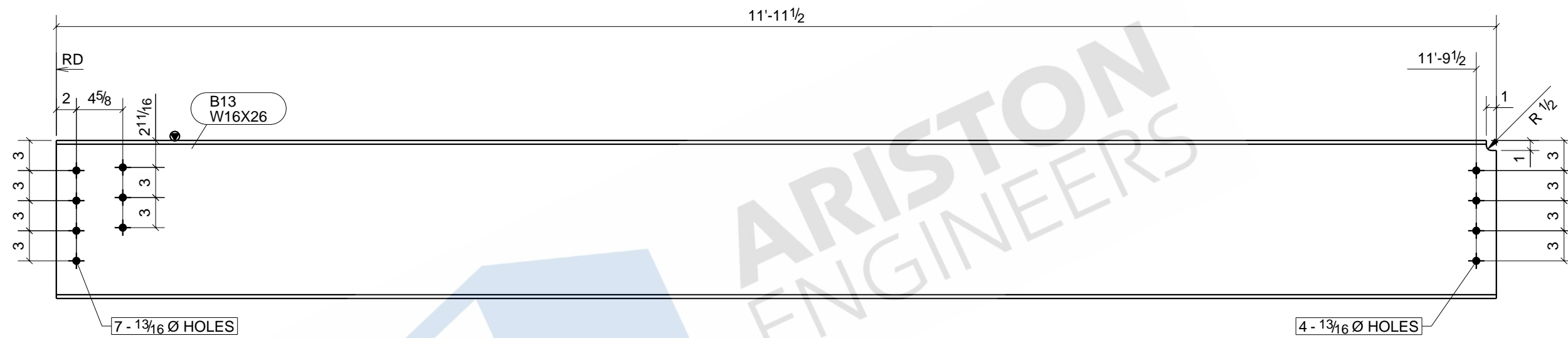


ONE - BEAM - B12

BILL OF MATERIAL

MARK	QTY	DESCRIPTION	LENGTH	WEIGHT	REMARKS	DESCRIPTION	BEAM	DATE
B12	1	BEAM			SQ-2	PROJECT NAME	NEW ANNEX BUILDING	
B12	1	W12X14	24'-4 11/16"	345	GREY PRIMER A992	GC NAME		
a1	4	L4X3-1/2X3/8	0'-5 1/2"	17	A36	DRAWN BY	NSP	JOB No.
TOTAL WEIGHT THIS DRAWING				362		DATE DRAWN		DRG No.
								B12

Tekla structures

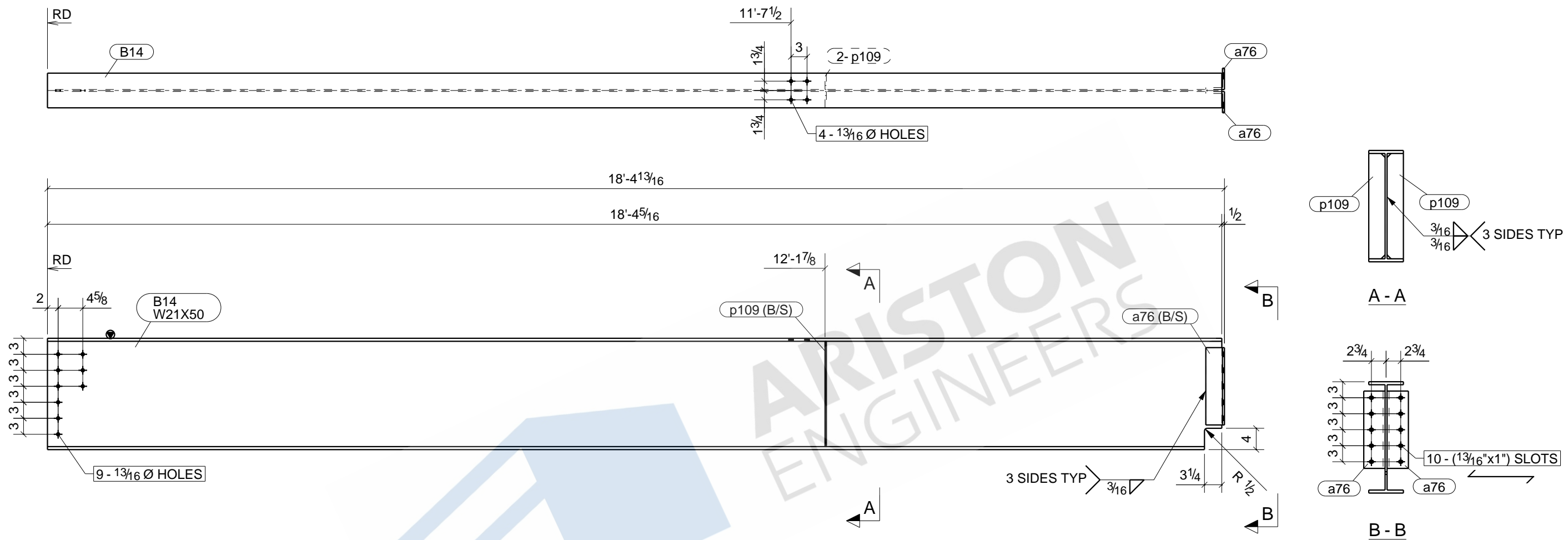


ONE - BEAM - B13

BILL OF MATERIAL

MARK	QTY	DESCRIPTION	LENGTH	WEIGHT	REMARKS
B13	1	BEAM			SQ-2
B13	1	W16X26	11'-11 1/2"	313	GREY PRIMER A992
TOTAL WEIGHT THIS DRAWING				313	

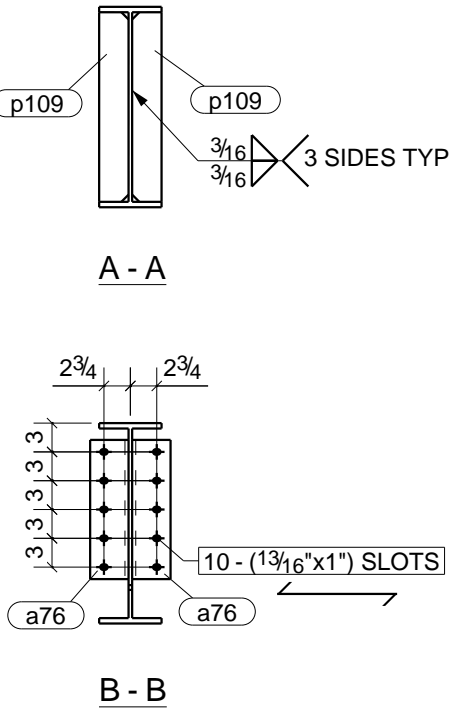
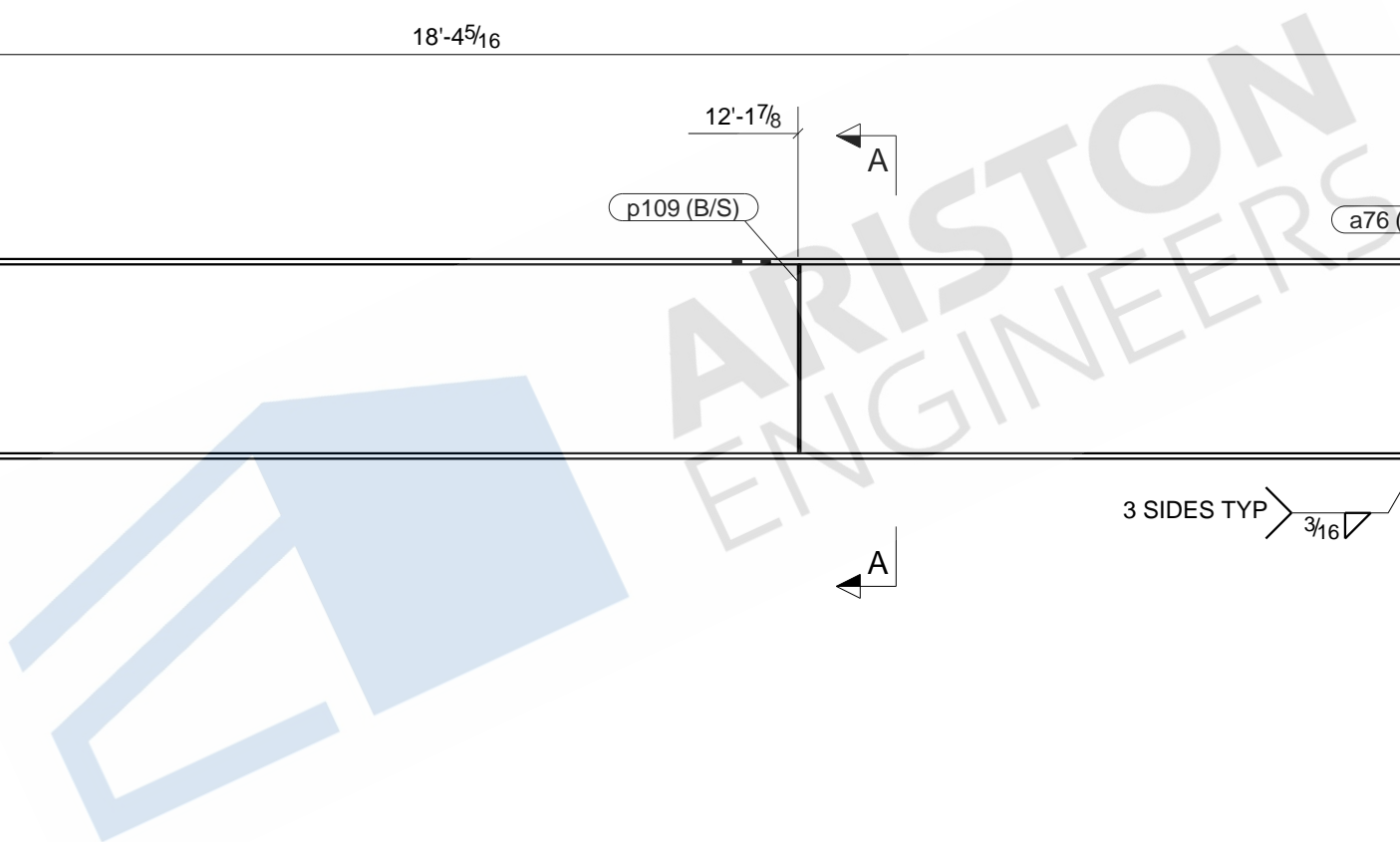
REV	DESCRIPTION	DATE
DESCRIPTION		BEAM
PROJECT NAME		NEW ANNEX BUILDING
GC NAME		
DRAWN BY	NSP	JOB No.
DATE DRAWN		DRG No.
		B13

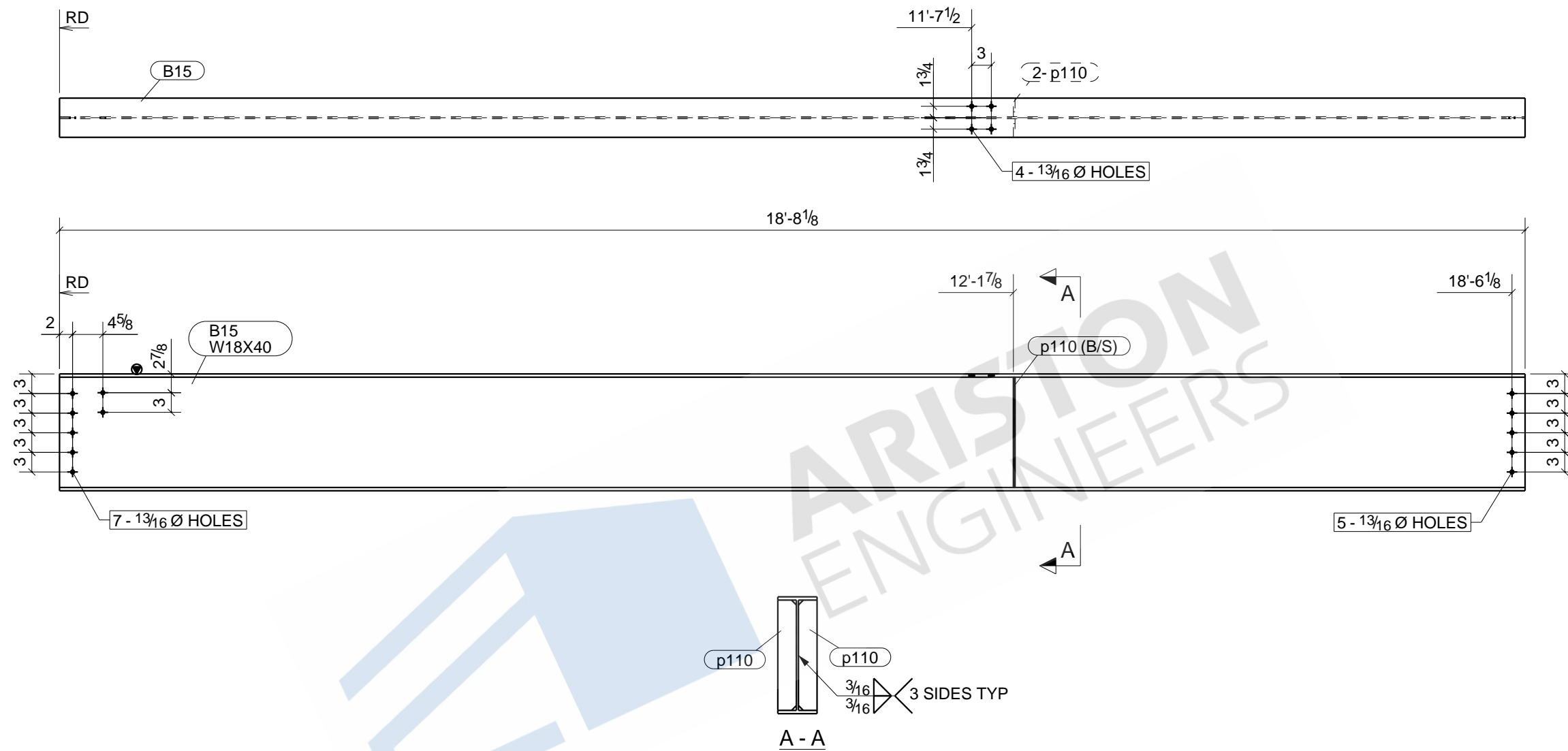


ONE - BEAM - B14

BILL OF MATERIAL

MARK	QTY	DESCRIPTION	LENGTH	WEIGHT	REMARKS	REV	DESCRIPTION	DATE
B14	1	BEAM			SQ-2		BEAM	
B14	1	W21X50	18'-4 5/16"	918	GREY PRIMER A992		NEW ANNEX BUILDING	
a76	2	L4X3-1/2X3/8	1'-2 1/2"	22	A36			
p109	2	PL1/4"X3 1/16"	1'-7 3/4"	8	A36			
TOTAL WEIGHT THIS DRAWING				949				





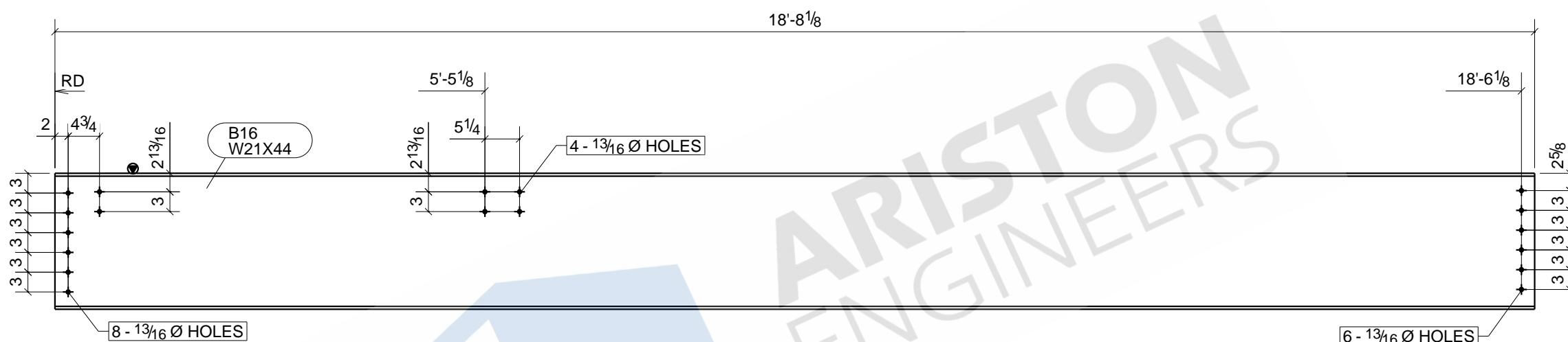
ONE - BEAM - B15

BILL OF MATERIAL

MARK	QTY	DESCRIPTION	LENGTH	WEIGHT	REMARKS	DESCRIPTION	BEAM
B15	1	BEAM			SQ-2	PROJECT NAME	NEW ANNEX BUILDING
B15	1	W18X40	18'-8 1/8"	750	GREY PRIMER A992	GC NAME	
p110	2	PL1/4"X2 13/16"	1'-4 7/8"	7	A36	DRAWN BY	NSP
TOTAL WEIGHT THIS DRAWING				757		DATE DRAWN	

REV	DESCRIPTION	DATE

JOB No.	DRG No.
	B15

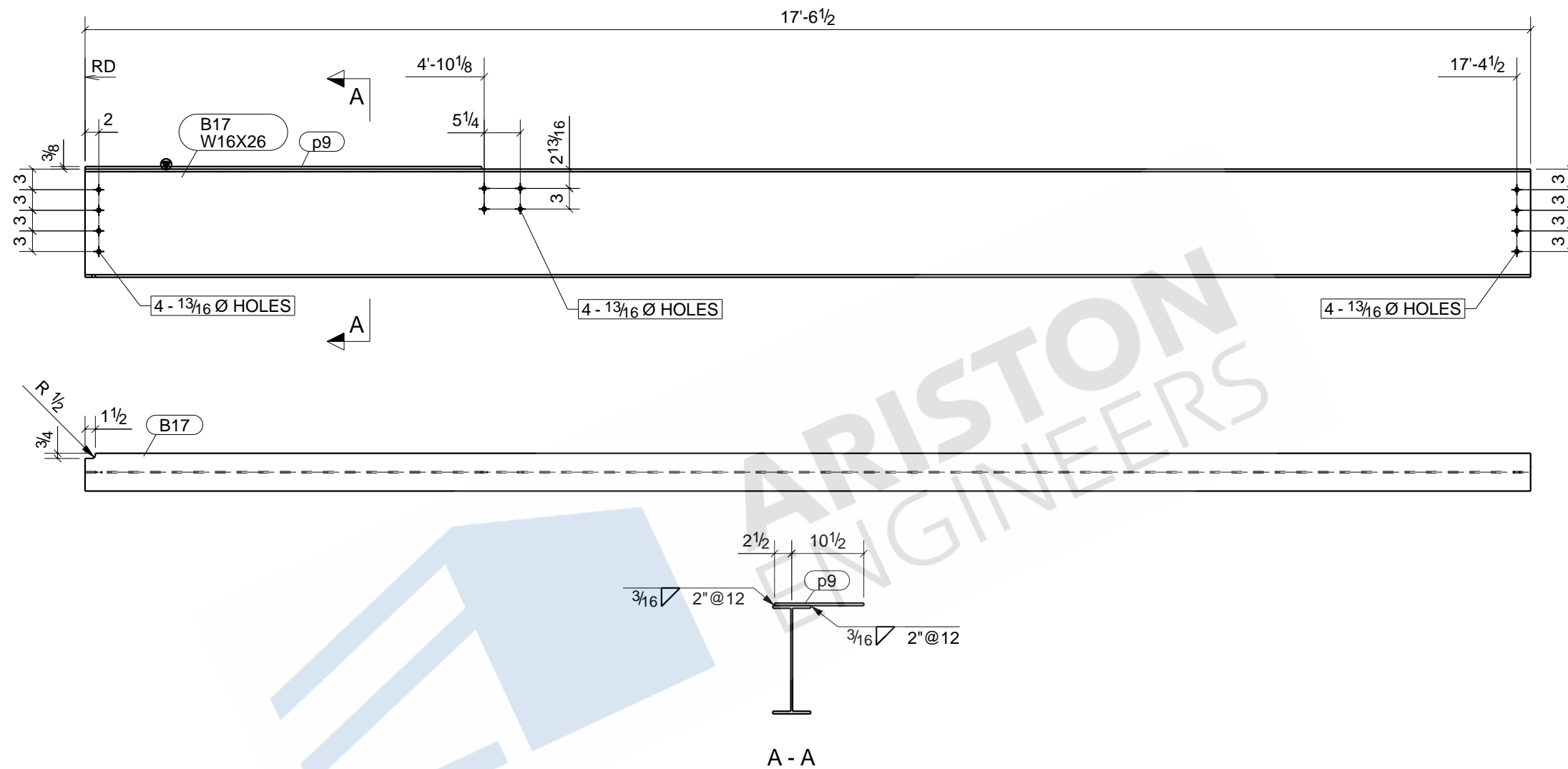


ONE - BEAM - B16

BILL OF MATERIAL

MARK	QTY	DESCRIPTION	LENGTH	WEIGHT	REMARKS
B16	1	BEAM			SQ-2
B16	1	W21X44	18'-8 1/8"	826	GREY PRIMER A992
TOTAL WEIGHT THIS DRAWING				826	

REV	DESCRIPTION	DATE
DESCRIPTION		BEAM
PROJECT NAME		NEW ANNEX BUILDING
GC NAME		
DRAWN BY		NSP
DATE DRAWN		
JOB No.		DRG No.
		B16



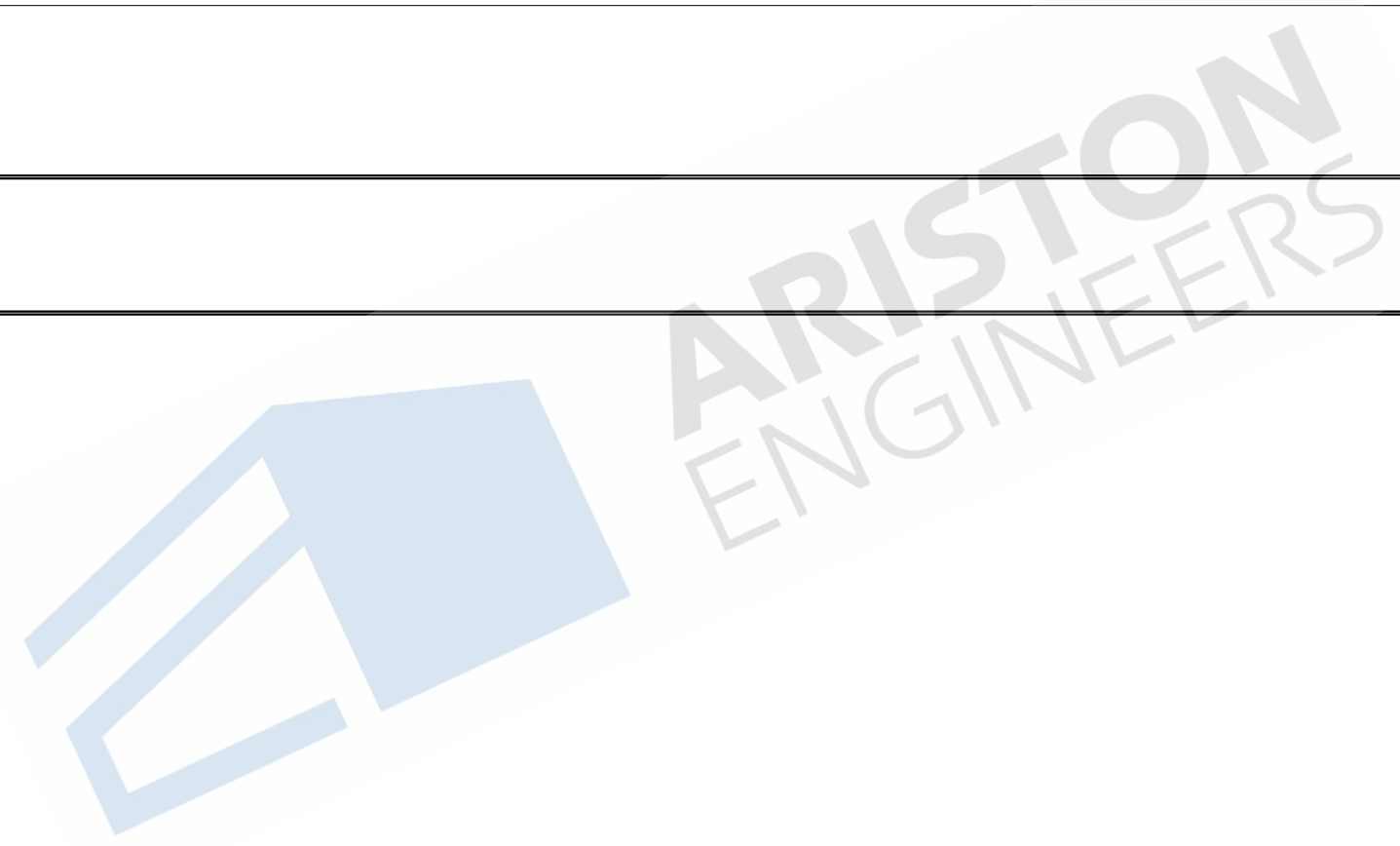
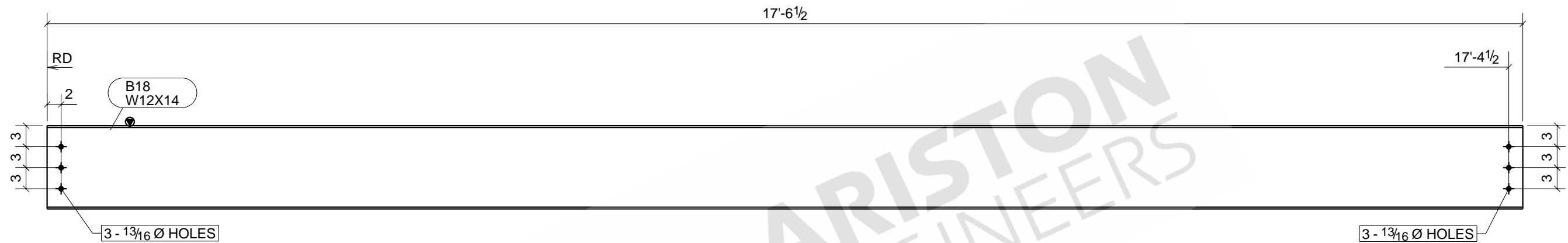
ONE - BEAM - B17

BILL OF MATERIAL

MARK	QTY	DESCRIPTION	LENGTH	WEIGHT	REMARKS
B17	1	BEAM			SQ-2
B17	1	W16X26	17'-6 1/2"	458	GREY PRIMER A992
p9	1	PL3/8"X13"	4'-9 3/4"	80	A36
TOTAL WEIGHT THIS DRAWING				538	

REV	DESCRIPTION	DATE

DESCRIPTION	BEAM
PROJECT NAME	NEW ANNEX BUILDING
GC NAME	
DRAWN BY	NSP
DATE DRAWN	
JOB No.	
DRG No.	B17

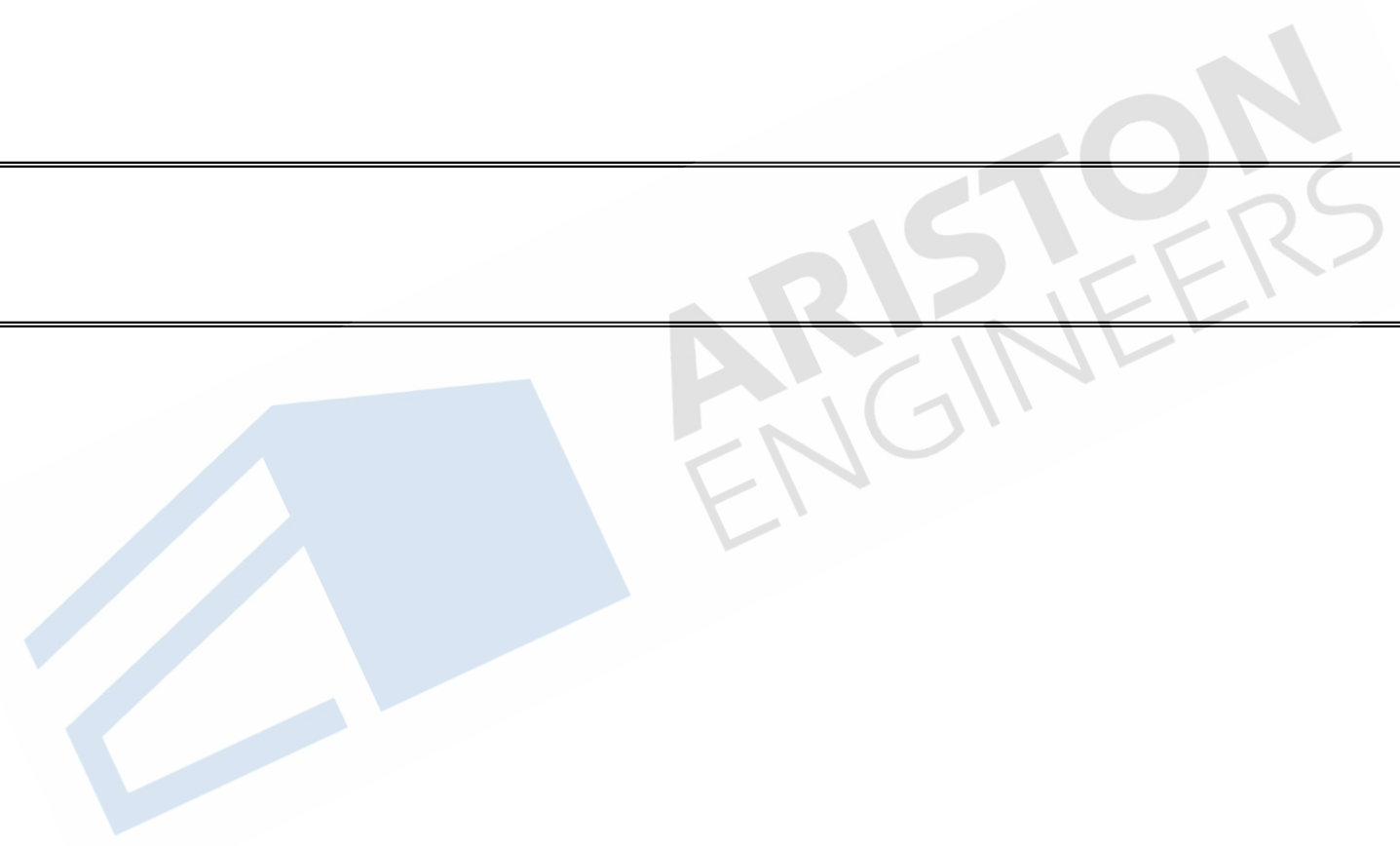
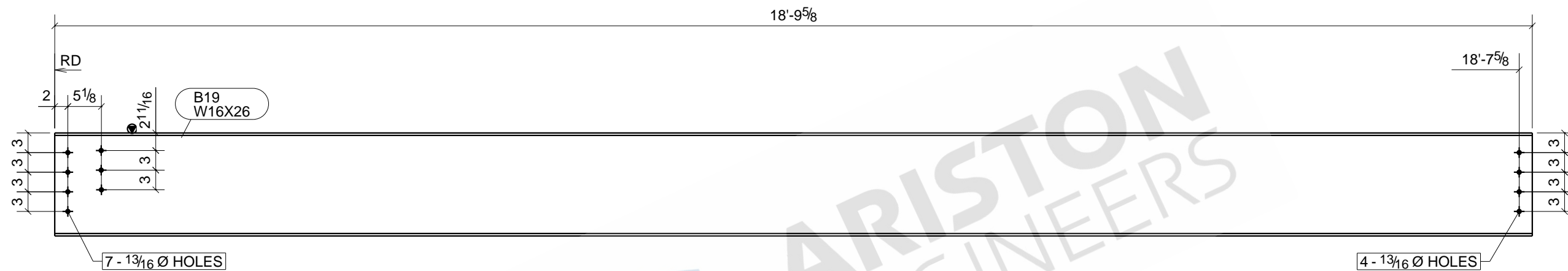


ONE - BEAM - B18

BILL OF MATERIAL

MARK	QTY	DESCRIPTION	LENGTH	WEIGHT	REMARKS
B18	1	BEAM			SQ-2
B18	1	W12X14	17'-6 1/2"	248	GREY PRIMER A992
TOTAL WEIGHT THIS DRAWING				248	

REV	DESCRIPTION	DATE
DESCRIPTION		BEAM
PROJECT NAME		NEW ANNEX BUILDING
GC NAME		
DRAWN BY	NSP	JOB No.
DATE DRAWN		DRG No.
		B18

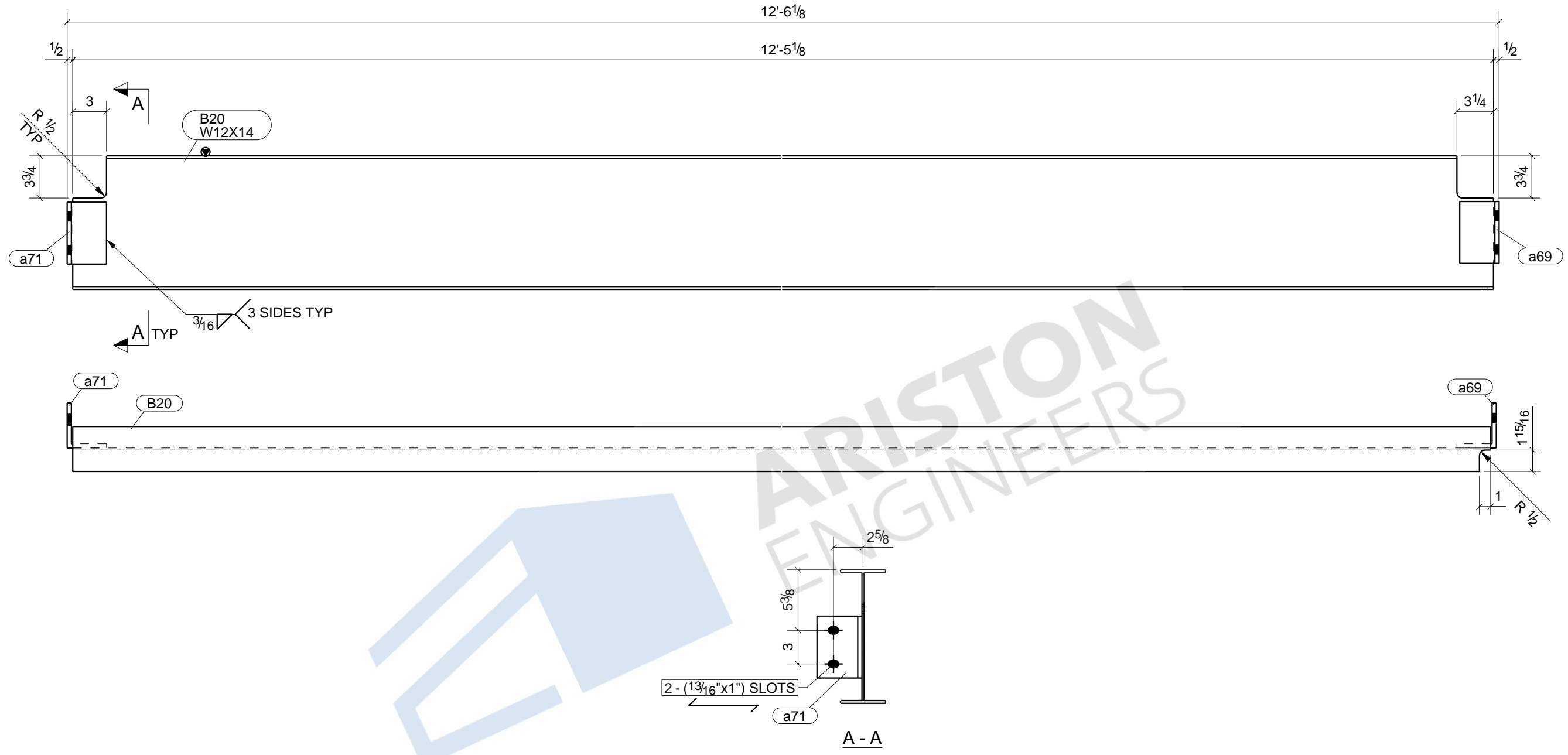


ONE - BEAM - B19

BILL OF MATERIAL

MARK	QTY	DESCRIPTION	LENGTH	WEIGHT	REMARKS
B19	1	BEAM			SQ-2
B19	1	W16X26	18'-9 5/8"	491	GREY PRIMER A992
TOTAL WEIGHT THIS DRAWING				491	

REV	DESCRIPTION	DATE
DESCRIPTION		BEAM
PROJECT NAME		NEW ANNEX BUILDING
GC NAME		
DRAWN BY	NSP	JOB No.
DATE DRAWN		DRG No.
		B19

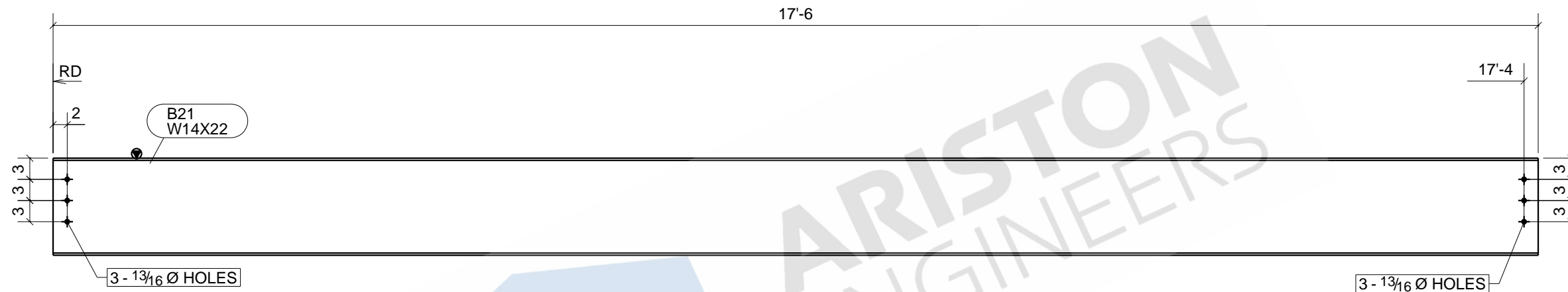


ONE - BEAM - B20

BILL OF MATERIAL

MARK	QTY	DESCRIPTION	LENGTH	WEIGHT	REMARKS
B20	1	BEAM			SQ-2
B20	1	W12X14	12'-5 1/8"	176	GREY PRIMER A992
a69	1	L4X3-1/2X3/8	0'-5 1/2"	4	A36
a71	1	L4X3-1/2X3/8	0'-5 1/2"	4	A36
TOTAL WEIGHT THIS DRAWING				184	

REV	DESCRIPTION	DATE
DESCRIPTION		BEAM
PROJECT NAME		NEW ANNEX BUILDING
GC NAME		
DRAWN BY	NSP	JOB No.
DATE DRAWN		DRG No.
		B20

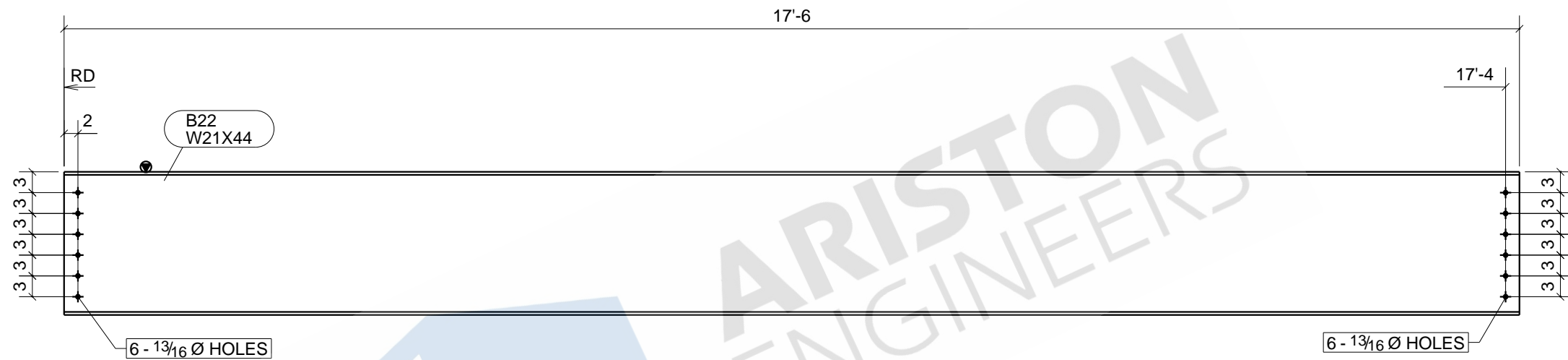


ONE - BEAM - B21

BILL OF MATERIAL

MARK	QTY	DESCRIPTION	LENGTH	WEIGHT	REMARKS
B21	1	BEAM			SQ-2
B21	1	W14X22	17'-6"	387	GREY PRIMER A992
TOTAL WEIGHT THIS DRAWING				387	

REV	DESCRIPTION	DATE
DESCRIPTION		BEAM
PROJECT NAME		NEW ANNEX BUILDING
GC NAME		
DRAWN BY	NSP	JOB No.
DATE DRAWN		DRG No.
		B21

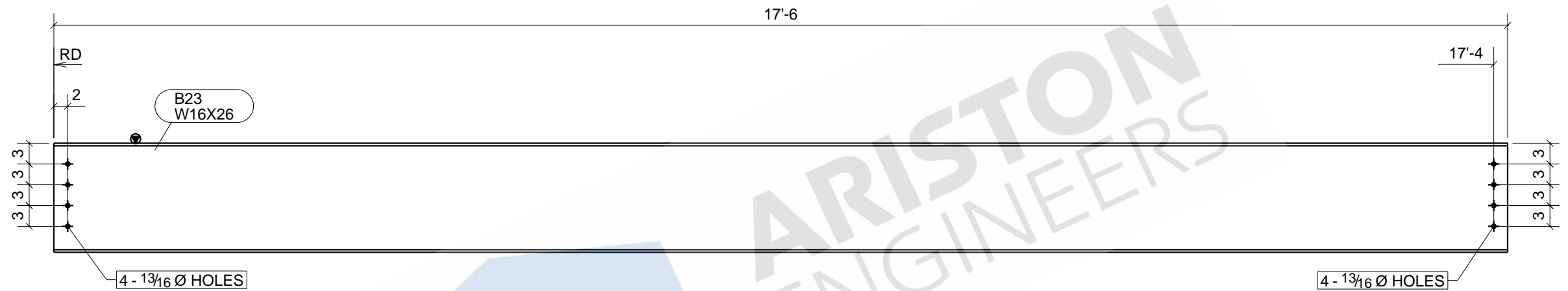


ONE - BEAM - B22

BILL OF MATERIAL

MARK	QTY	DESCRIPTION	LENGTH	WEIGHT	REMARKS
B22	1	BEAM			SQ-2
B22	1	W21X44	17'-6"	774	GREY PRIMER A992
TOTAL WEIGHT THIS DRAWING				774	

REV	DESCRIPTION	DATE
DESCRIPTION		BEAM
PROJECT NAME		NEW ANNEX BUILDING
GC NAME		
DRAWN BY	NSP	JOB No.
DATE DRAWN		DRG No.
		B22

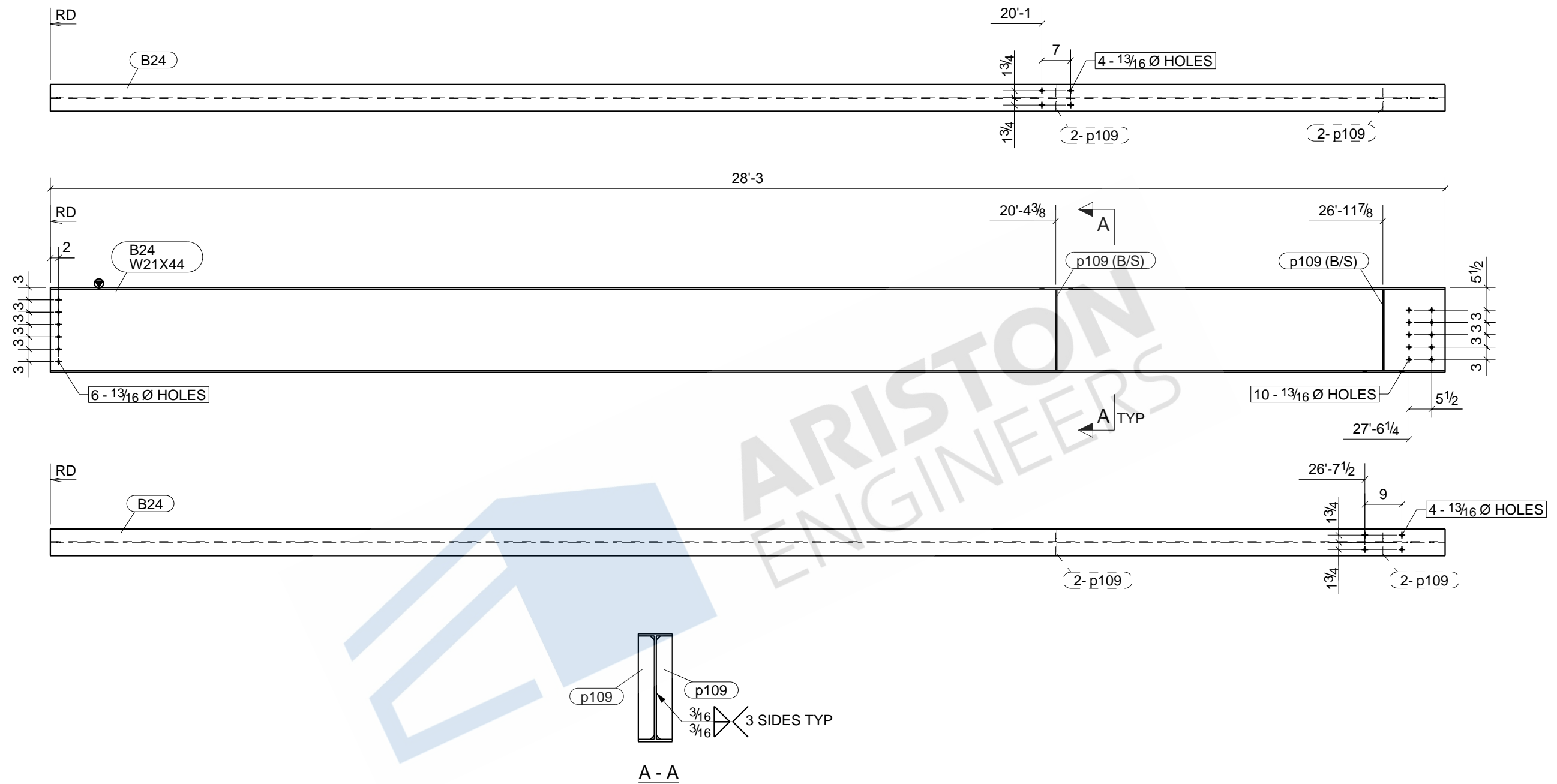


ONE - BEAM - B23

BILL OF MATERIAL

MARK	QTY	DESCRIPTION	LENGTH	WEIGHT	REMARKS
B23	1	BEAM			SQ-2
B23	1	W16X26	17'-6"	457	GREY PRIMER A992
TOTAL WEIGHT THIS DRAWING				457	

REV	DESCRIPTION	DATE
DESCRIPTION		BEAM
PROJECT NAME		NEW ANNEX BUILDING
GC NAME		
DRAWN BY	NSP	JOB No.
DATE DRAWN		DRG No.
		B23



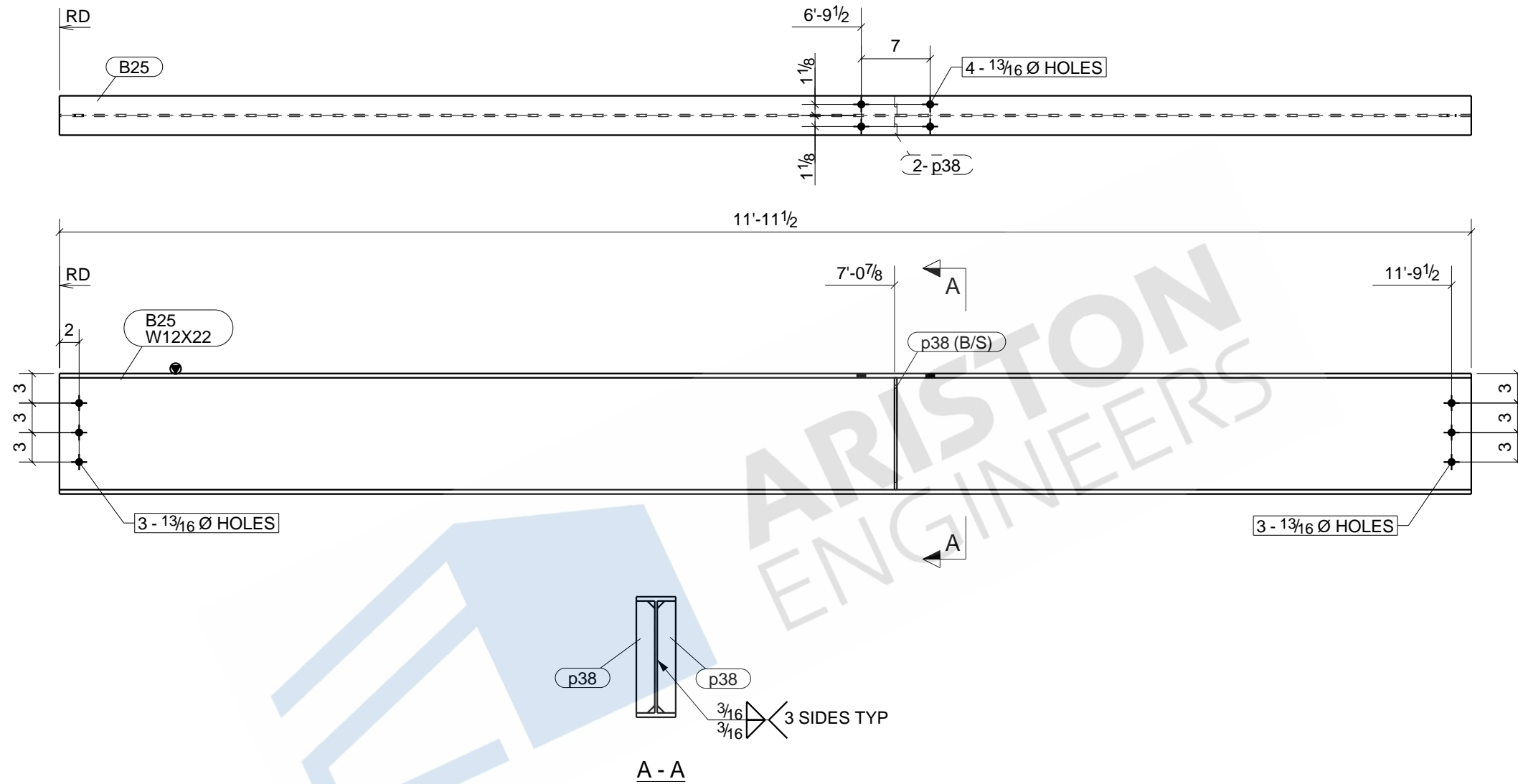
ONE - BEAM - B24

BILL OF MATERIAL

MARK	QTY	DESCRIPTION	LENGTH	WEIGHT	REMARKS
B24	1	BEAM			SQ-2
B24	1	W21X44	28'-3"	1250	GREY PRIMER A992
p109	4	PL1/4"X3 1/16"	1'-7 3/4"	17	A36
TOTAL WEIGHT THIS DRAWING				1267	

REV	DESCRIPTION	DATE

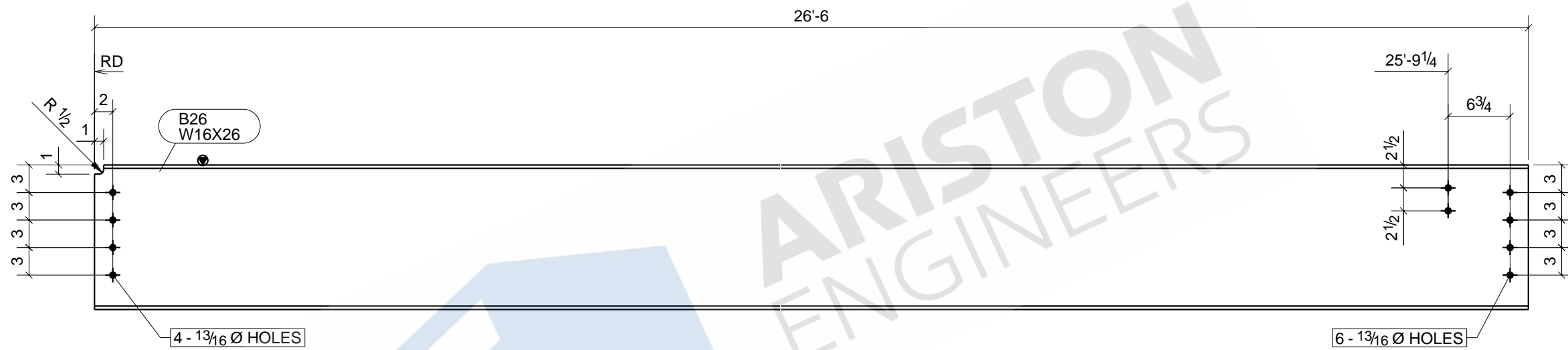
DESCRIPTION	BEAM
PROJECT NAME	NEW ANNEX BUILDING
GC NAME	
DRAWN BY	NSP
DATE DRAWN	
JOB No.	
DRG No.	B24



ONE - BEAM - B25

BILL OF MATERIAL

MARK	QTY	DESCRIPTION	LENGTH	WEIGHT	REMARKS	DESCRIPTION	BEAM	JOB No.	DRG No.
B25	1	BEAM			SQ-2	PROJECT NAME	NEW ANNEX BUILDING		
B25	1	W12X22	11'-11 1/2"	264	GREY PRIMER A992	GC NAME			
p38	2	PL1/4"X1 7/8"	0'-11 3/8"	3	A36	DRAWN BY	NSP		
TOTAL WEIGHT THIS DRAWING				267		DATE DRAWN			B25

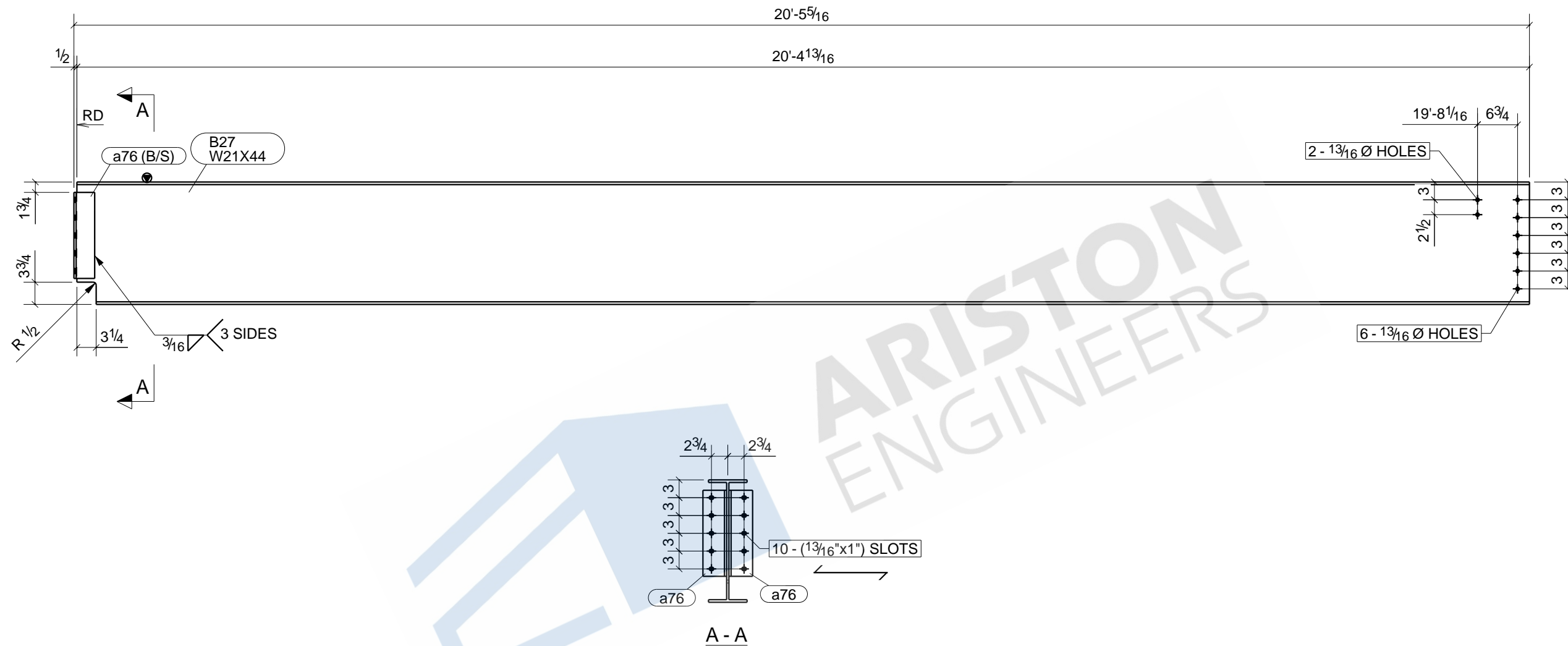


2 - BEAMS - B26

BILL OF MATERIAL

MARK	QTY	DESCRIPTION	LENGTH	WEIGHT	REMARKS
B26	2	BEAMS			SQ-2
B26	2	W16X26	26'-6"	1385	GREY PRIMER A992
TOTAL WEIGHT THIS DRAWING				1385	

REV	DESCRIPTION	DATE
DESCRIPTION		BEAM
PROJECT NAME		NEW ANNEX BUILDING
GC NAME		
DRAWN BY	NSP	JOB No.
DATE DRAWN		DRG No.
		B26



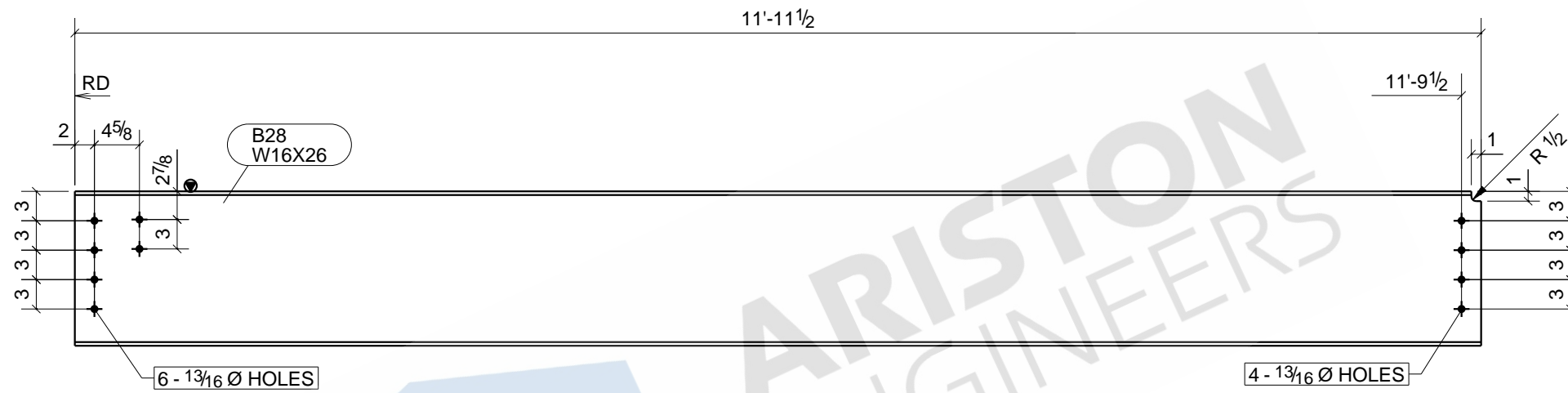
ONE - BEAM - B27

BILL OF MATERIAL

MARK	QTY	DESCRIPTION	LENGTH	WEIGHT	REMARKS
B27	1	BEAM			SQ-2
B27	1	W21X44	20'-4 13/16"	903	GREY PRIMER A992
a76	2	L4X3-1/2X3/8	1'-2 1/2"	22	A36
TOTAL WEIGHT THIS DRAWING				925	

REV	DESCRIPTION	DATE

DESCRIPTION	BEAM
PROJECT NAME	NEW ANNEX BUILDING
GC NAME	
DRAWN BY	NSP
DATE DRAWN	
JOB No.	
DRG No.	B27

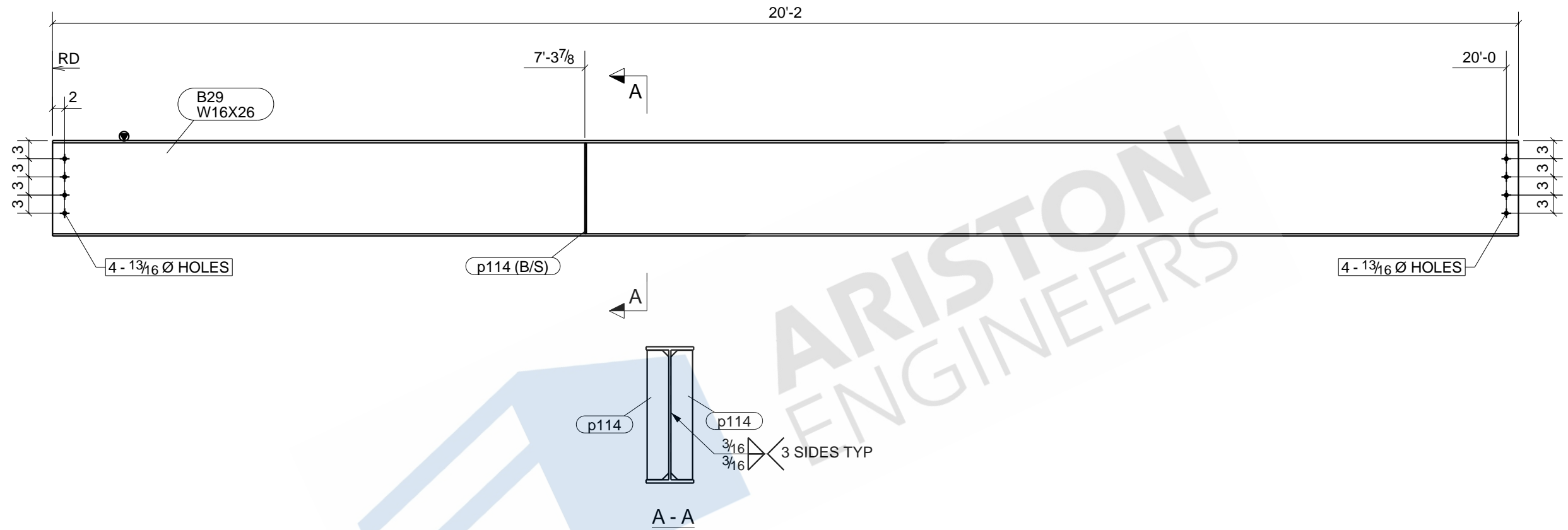


ONE - BEAM - B28

BILL OF MATERIAL

MARK	QTY	DESCRIPTION	LENGTH	WEIGHT	REMARKS
B28	1	BEAM			SQ-2
B28	1	W16X26	11'-11 1/2"	313	GREY PRIMER A992
TOTAL WEIGHT THIS DRAWING				313	

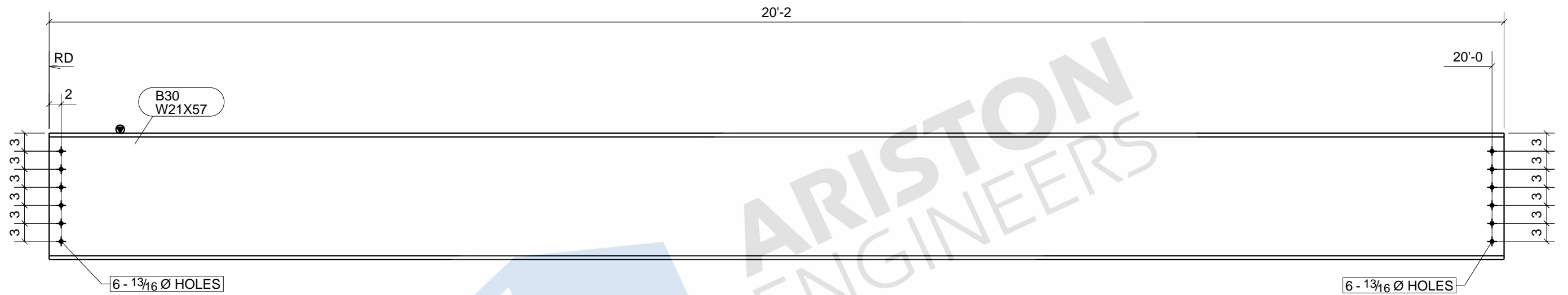
REV	DESCRIPTION	DATE
DESCRIPTION		BEAM
PROJECT NAME		NEW ANNEX BUILDING
GC NAME		
DRAWN BY	NSP	JOB No.
DATE DRAWN		DRG No.
		B28



ONE - BEAM - B29

BILL OF MATERIAL

MARK	QTY	DESCRIPTION	LENGTH	WEIGHT	REMARKS	DESCRIPTION	BEAM	DATE
B29	1	BEAM			SQ-2	PROJECT NAME	NEW ANNEX BUILDING	
B29	1	W16X26	20'-2"	527	GREY PRIMER A992	GC NAME		
p114	2	FB1/4"X2 1/2"	1'-2 15/16"	5	A36	DRAWN BY	NSP	JOB No.
TOTAL WEIGHT THIS DRAWING				532		DATE DRAWN		DRG No.
								B29



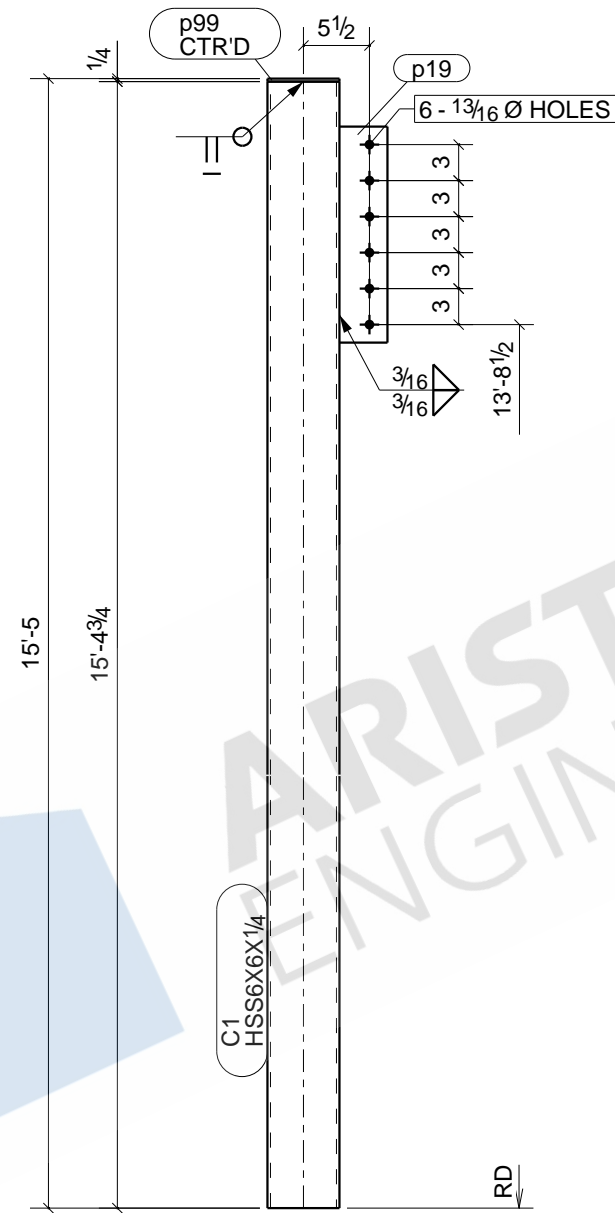
ONE - BEAM - B30

BILL OF MATERIAL

MARK	QTY	DESCRIPTION	LENGTH	WEIGHT	REMARKS
B30	1	BEAM			SQ-2
B30	1	W21X57	20'-2"	1146	GREY PRIMER A992
TOTAL WEIGHT THIS DRAWING				1146	

REV	DESCRIPTION	DATE
DESCRIPTION		BEAM
PROJECT NAME		NEW ANNEX BUILDING
GC NAME		
DRAWN BY	NSP	JOB No.
DATE DRAWN		DRG No.
		B30

GRID LOCATION	BOTTOM ELEVATION
1/C	-8"

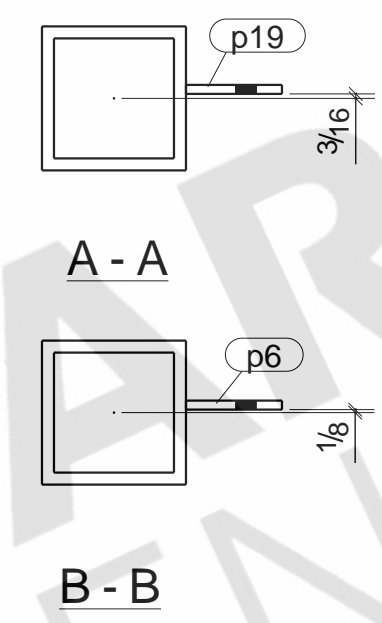
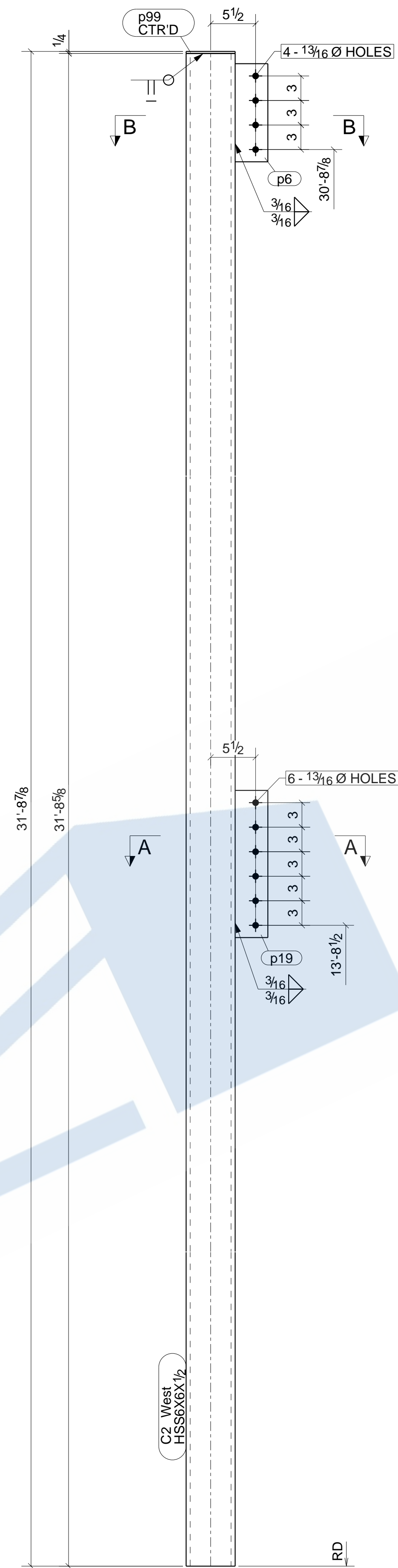


ONE - COLUMN - C1

BILL OF MATERIAL

MARK	QTY	DESCRIPTION	LENGTH	WEIGHT	REMARKS
C1	1	COLUMN			SQ-2
C1	1	HSS6X6X1/4	15'-4 3/4"	275	GREY PRIMER A500-GR.B
p19	1	FB3/8"X4"	1'-6"	8	A36
p99	1	FB1/4"X6"	0'-6"	3	A36
TOTAL WEIGHT THIS DRAWING				285	

REV	DESCRIPTION	DATE
DESCRIPTION		COLUMN
PROJECT NAME		NEW ANNEX BUILDING
GC NAME		
DRAWN BY	NSP	JOB No.
DATE DRAWN		DRG No.
		C1

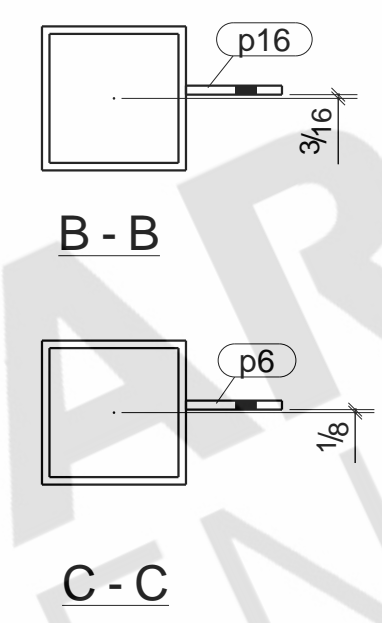
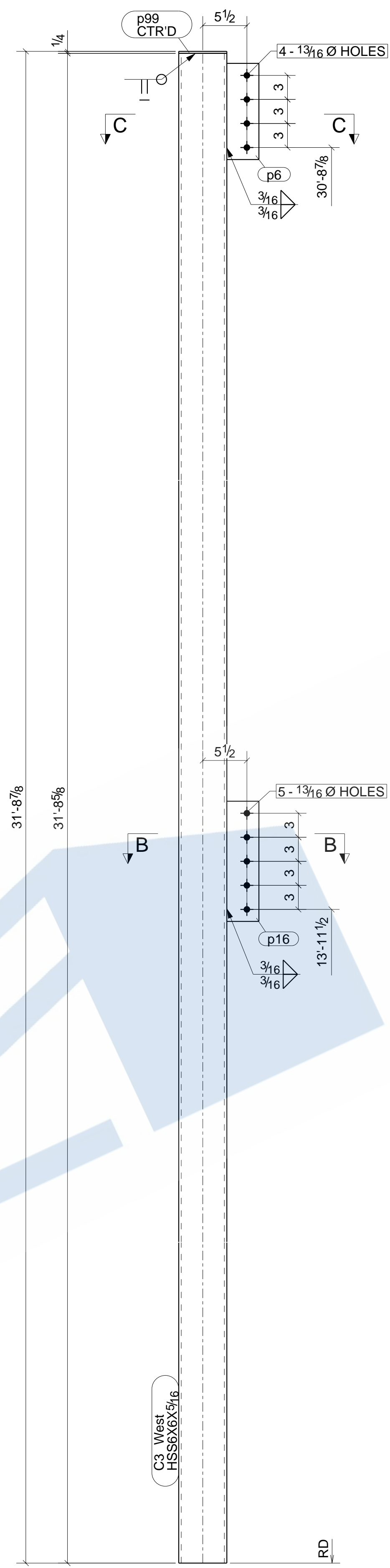


ONE - COLUMN - C2

BILL OF MATERIAL					
MARK	QTY	DESCRIPTION	LENGTH	WEIGHT	REMARKS
C2	1	COLUMN			SQ-2
C2	1	HSS6x6x1/2	31'-8 5/8"	1051	GREY PRIMER A500-GR.B
p6	1	FB3/8"x4"	1'-0"	5	A36
p19	1	FB3/8"x4"	1'-6"	8	A36
p99	1	FB1/4"x6"	0'-6"	3	A36
TOTAL WEIGHT THIS DRAWING				1067	

REV	DESCRIPTION	DATE

DESCRIPTION	COLUMN
PROJECT NAME	NEW ANNEX BUILDING
GC NAME	
DRAWN BY	NSP
DATE DRAWN	
JOB No.	
DRG No.	C2

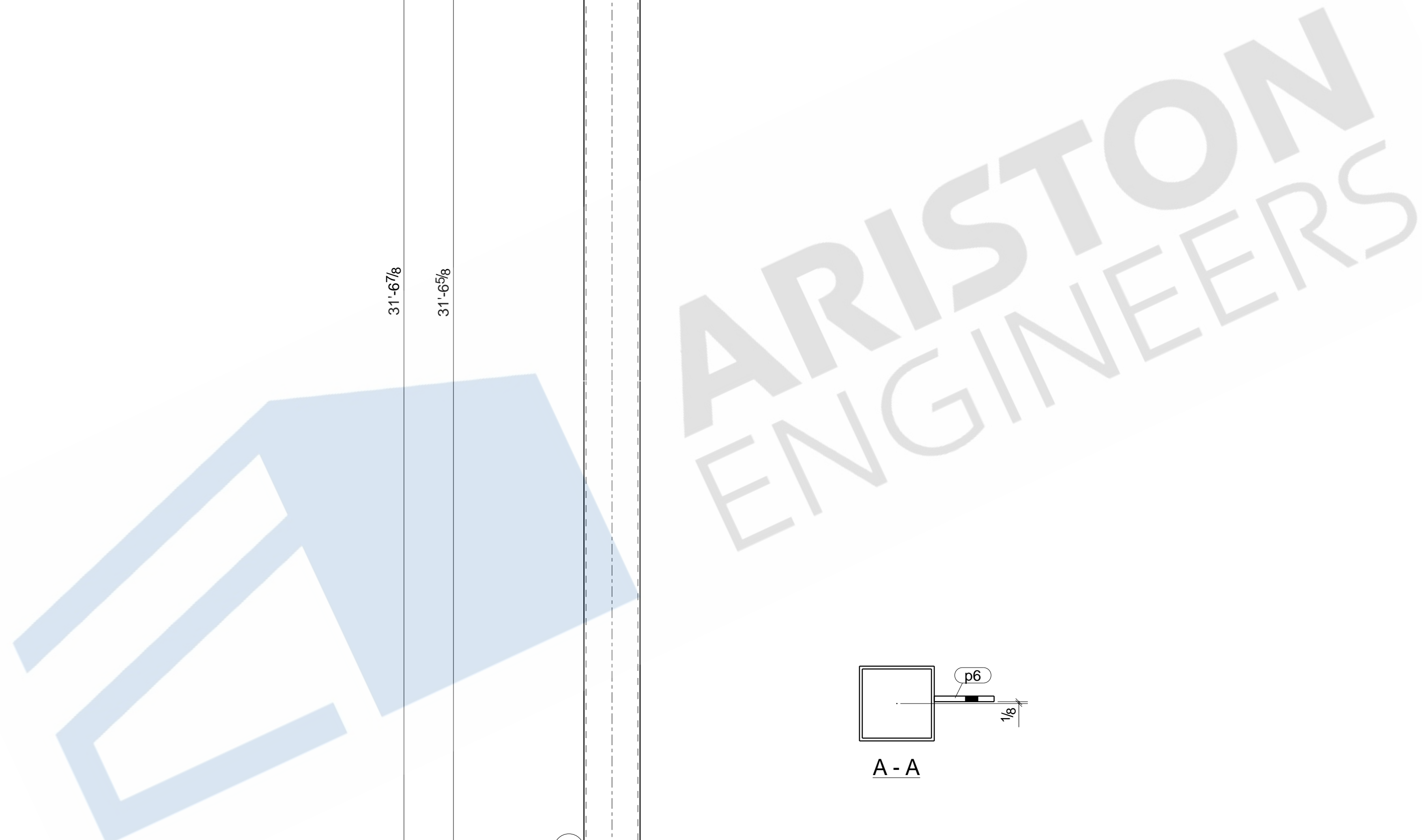
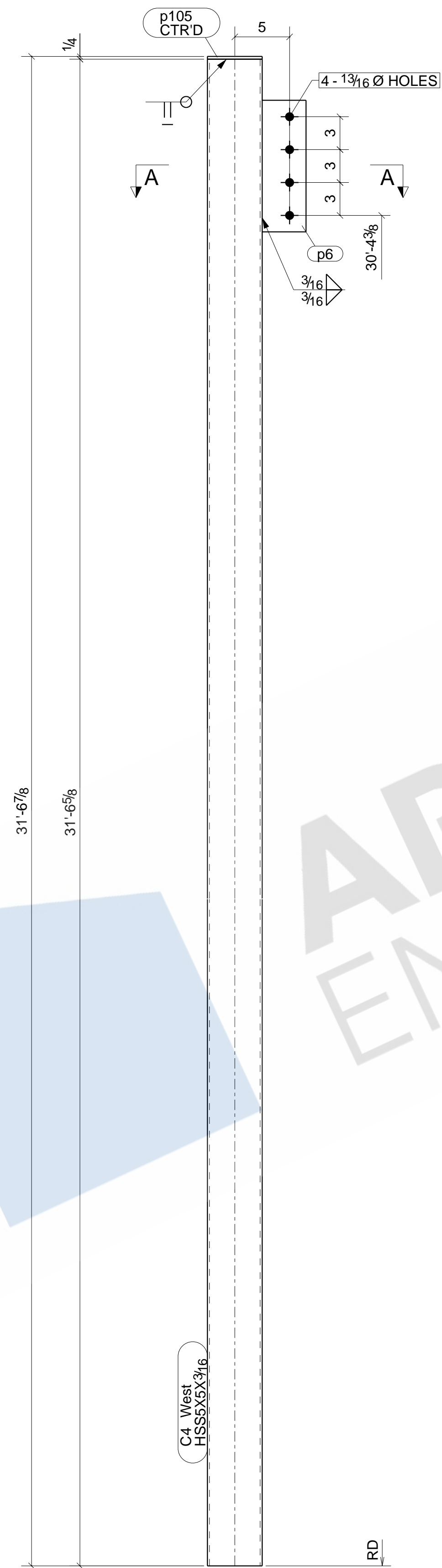


ONE - COLUMN - C3

BILL OF MATERIAL					
MARK	QTY	DESCRIPTION	LENGTH	WEIGHT	REMARKS
C3	1	COLUMN			SQ-2
C3	1	HSS6x6x5/16	31'-8 5/8"	694	GREY PRIMER A500-GR.B
p6	1	FB3/8"x4"	1'-0"	5	A36
p16	1	FB3/8"x4"	1'-3"	6	A36
p99	1	FB1/4"x6"	0'-6"	3	A36
TOTAL WEIGHT THIS DRAWING				708	

REV	DESCRIPTION	DATE

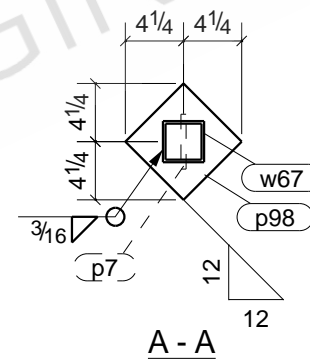
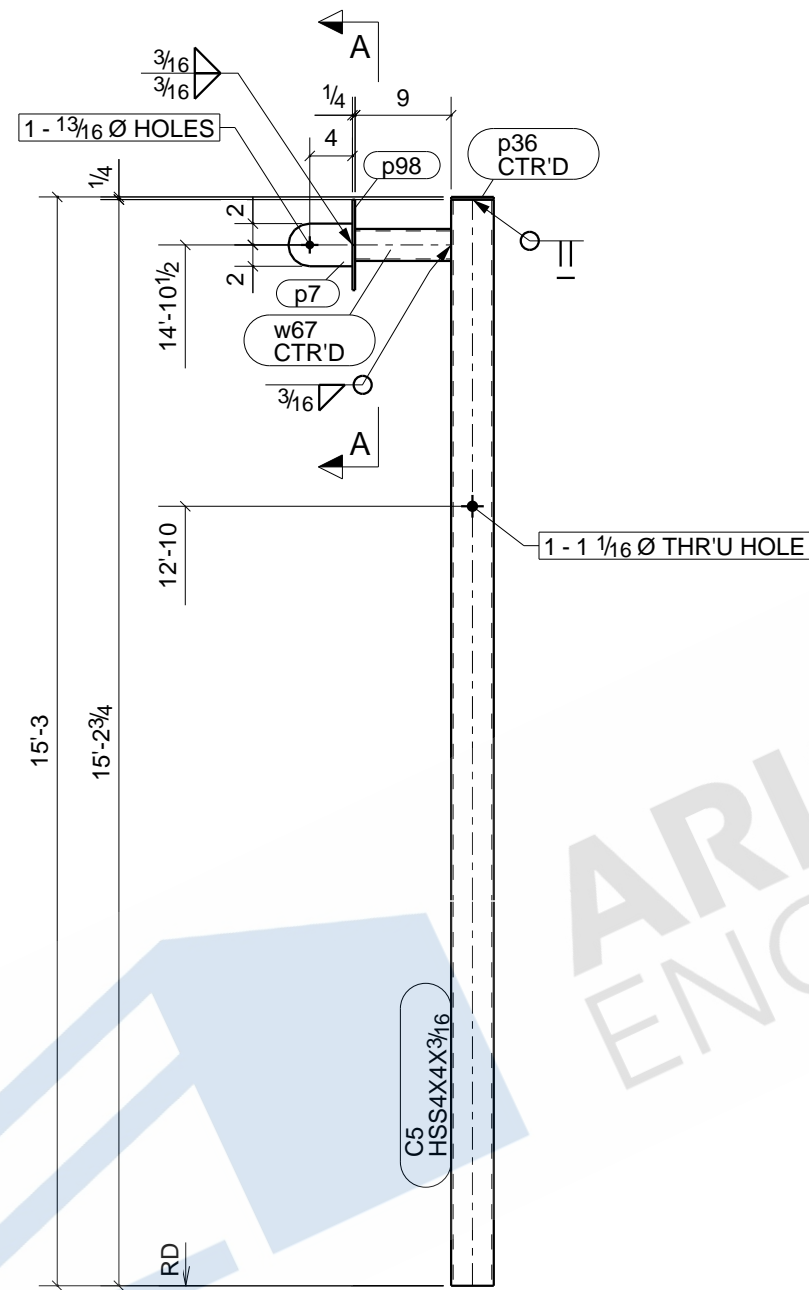
DESCRIPTION	COLUMN
PROJECT NAME	NEW ANNEX BUILDING
GC NAME	
DRAWN BY	NSP
DATE DRAWN	
JOB No.	
DRG No.	C3



ONE - COLUMN - C4

BILL OF MATERIAL							REV	DESCRIPTION	DATE
MARK	QTY	DESCRIPTION	LENGTH	WEIGHT	REMARKS				
C4	1	COLUMN			SQ-2				
C4	1	HSS5X5X3/16	31'-6 5/8"	352	GREY PRIMER A500-GR.B	DESCRIPTION	COLUMN		
p6	1	FB3/8"X4"	1'-0"	5	A36	PROJECT NAME	NEW ANNEX BUILDING		
p105	1	FB1/4"X5"	0'-5"	2	A36	GC NAME	NSP	JOB No.	
TOTAL WEIGHT THIS DRAWING				359		DRAWN BY		DRG No.	
						DATE DRAWN		C4	

GRID LOCATION	BOTTOM ELEVATION
1/B	-0"
1/B.8	0"

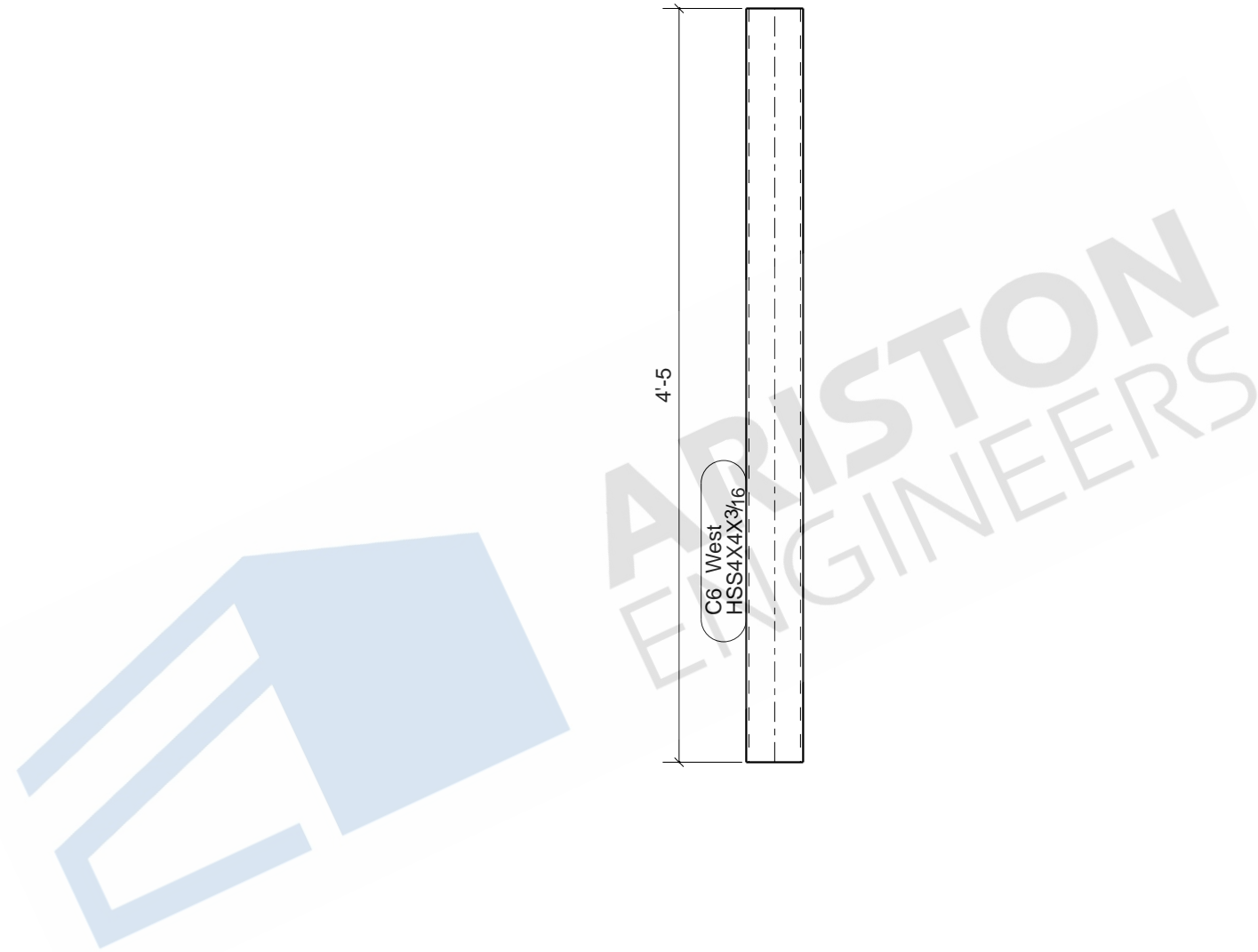


2 - COLUMNS - C5

BILL OF MATERIAL

BILL OF MATERIAL						REV	DESCRIPTION	DATE
MARK	QTY	DESCRIPTION	LENGTH	WEIGHT	REMARKS			
C5	2	COLUMNS			SQ-2			
C5	2	HSS4X4X3/16	15'-2 3/4"	267	GREY PRIMER A500-GR.B			
p7	2	FB3/8"X4"	0'-6"	5	A36	DESCRIPTION	COLUMN	
p36	2	FB1/4"X4"	0'-4"	2	A36	PROJECT NAME	NEW ANNEX BUILDING	
p98	2	FB1/4"X6"	0'-6"	5	A36	GC NAME		
w67	2	HSS3X3X3/16	0'-9"	10	GREY PRIMER A500-GR.B	DRAWN BY	NSP	JOB No.
TOTAL WEIGHT THIS DRAWING				289		DATE DRAWN		DRG No.
								C5

GRID LOCATION	BOTTOM ELEVATION
2.8/A-A.	-8"
2.1/A-A.	-8"
2.1/A.3	-8"



3 - COLUMNS - C6

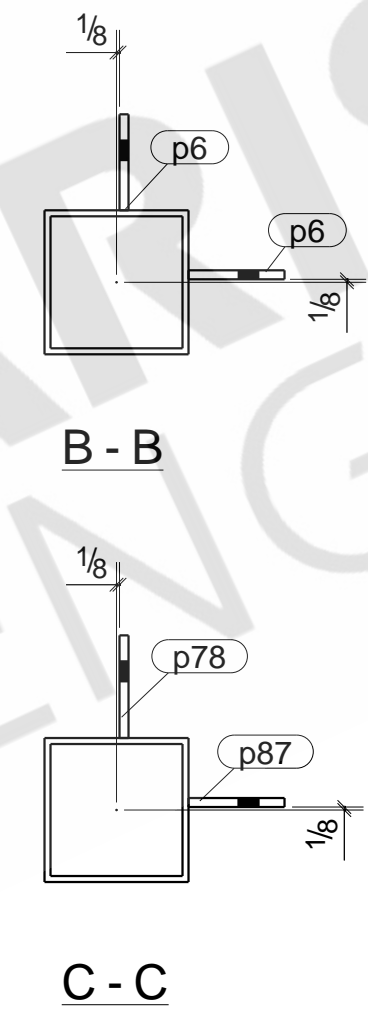
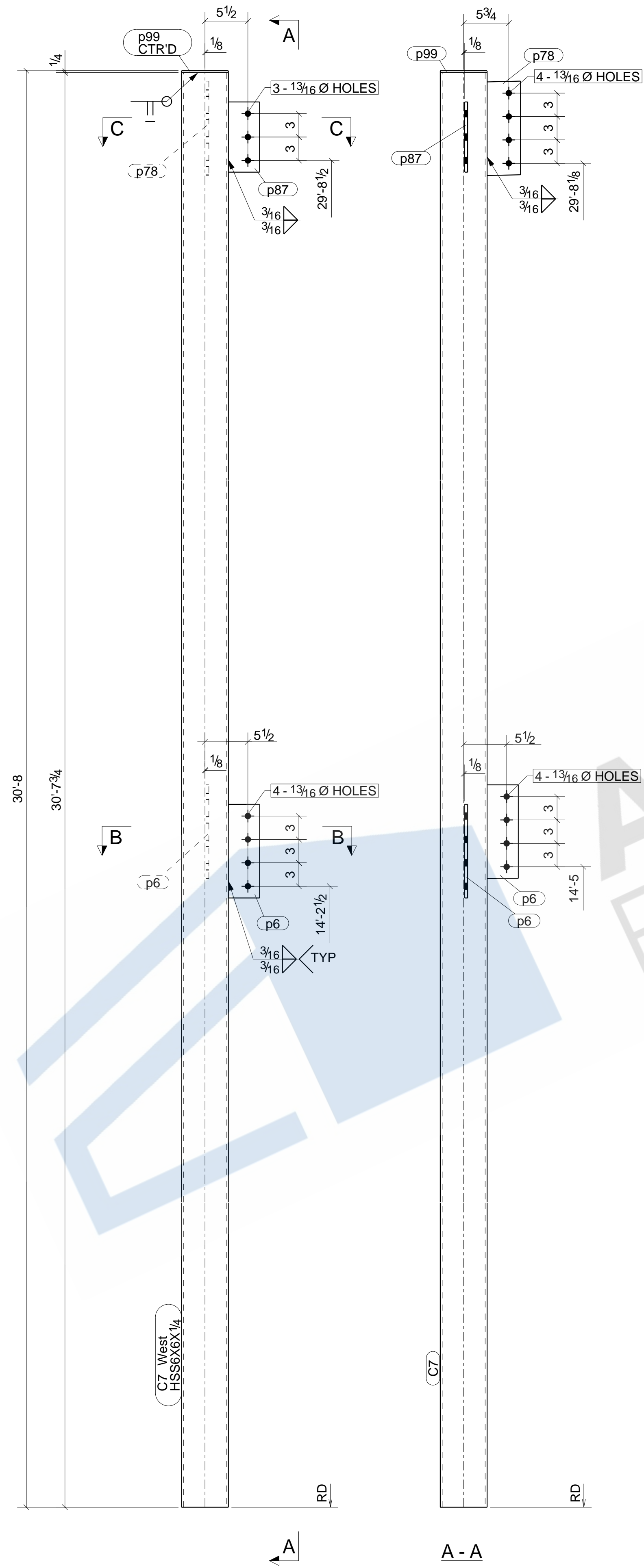
BILL OF MATERIAL

MARK	QTY	DESCRIPTION	LENGTH	WEIGHT	REMARKS
C6	3	COLUMNS			SQ-2
C6	3	HSS4X4X3/16	4'-5"	116	GREY PRIMER A500-GR.B
TOTAL WEIGHT THIS DRAWING				116	

REV	DESCRIPTION	DATE

DESCRIPTION	COLUMN
PROJECT NAME	NEW ANNEX BUILDING
GC NAME	
DRAWN BY	NSP
DATE DRAWN	

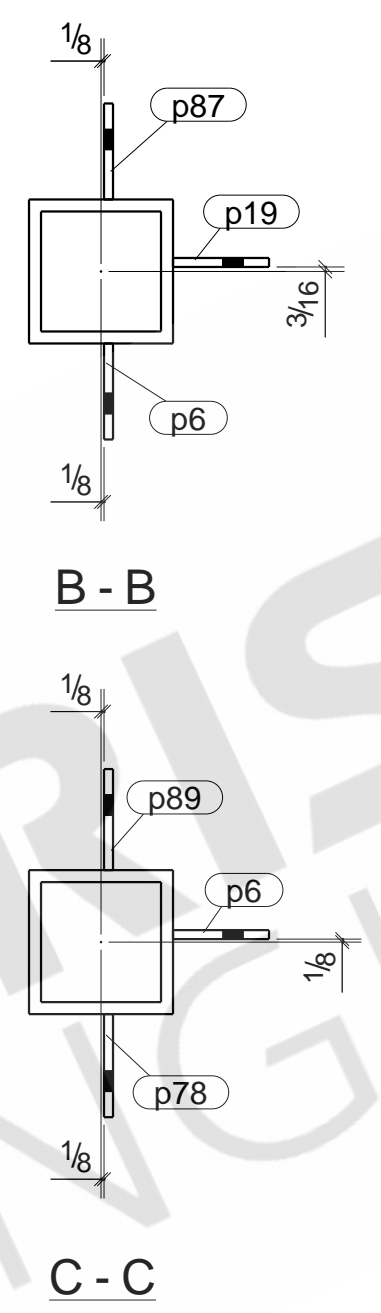
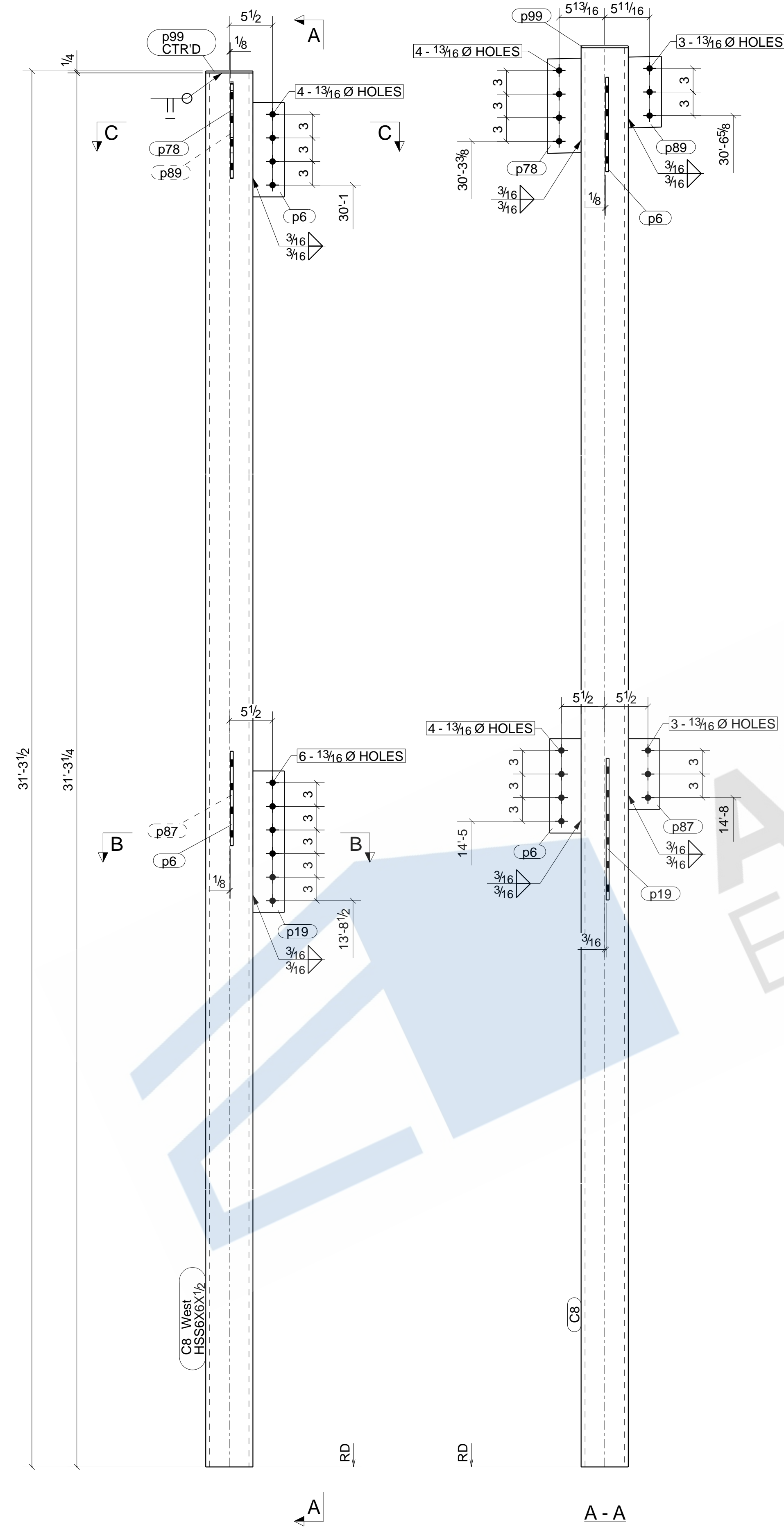
JOB No.	DRG No.
	C6



ONE - COLUMN - C7

BILL OF MATERIAL					
MARK	QTY	DESCRIPTION	LENGTH	WEIGHT	REMARKS
C7	1	COLUMN			SQ-2
C7	1	HSS6X6X1/4	30'-7 3/4"	546	GREY PRIMER A500-GR.B
p6	2	FB3/8"X4"	1'-0"	10	A36
p78	1	PL3/8"X4 1/4"	1'-0 1/8"	5	A36
p87	1	FB3/8"X4"	0'-9"	4	A36
p99	1	FB1/4"X6"	0'-6"	3	A36
TOTAL WEIGHT THIS DRAWING				569	

REV	DESCRIPTION	DATE
	DESCRIPTION	COLUMN
	PROJECT NAME	NEW ANNEX BUILDING
	GC NAME	
	DRAWN BY	NSP
	DATE DRAWN	
	JOB No.	
	DRG No.	C7



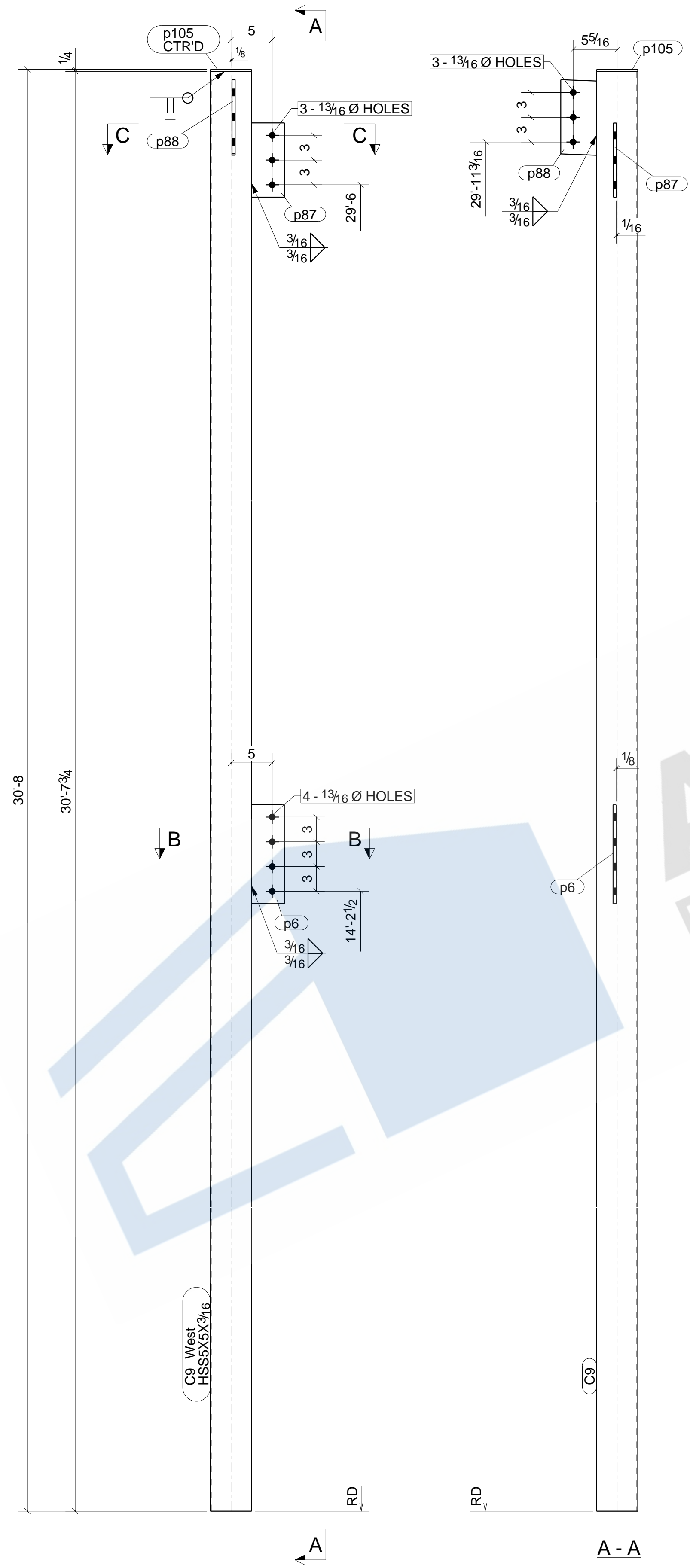
ONE - COLUMN - C8

BILL OF MATERIAL

MARK	QTY	DESCRIPTION	LENGTH	WEIGHT	REMARKS
C8	1	COLUMN			SQ-2
C8	1	HSS6x6x1/2	31'-3 1/4"	1037	GREY PRIMER A500-GR.B
p6	2	FB3/8"x4"	1'-0"	10	A36
p19	1	FB3/8"x4"	1'-6"	8	A36
p78	1	PL3/8"x4 5/16"	1'-0 1/8"	5	A36
p87	1	FB3/8"x4"	0'-9"	4	A36
p89	1	PL3/8"x4 3/16"	0'-9 1/8"	4	A36
p99	1	FB1/4"x6"	0'-6"	3	A36
TOTAL WEIGHT THIS DRAWING				1070	

REV	DESCRIPTION	DATE

DESCRIPTION	COLUMN
PROJECT NAME	NEW ANNEX BUILDING
GC NAME	
DRAWN BY	NSP
DATE DRAWN	
JOB No.	
DRG No.	C8



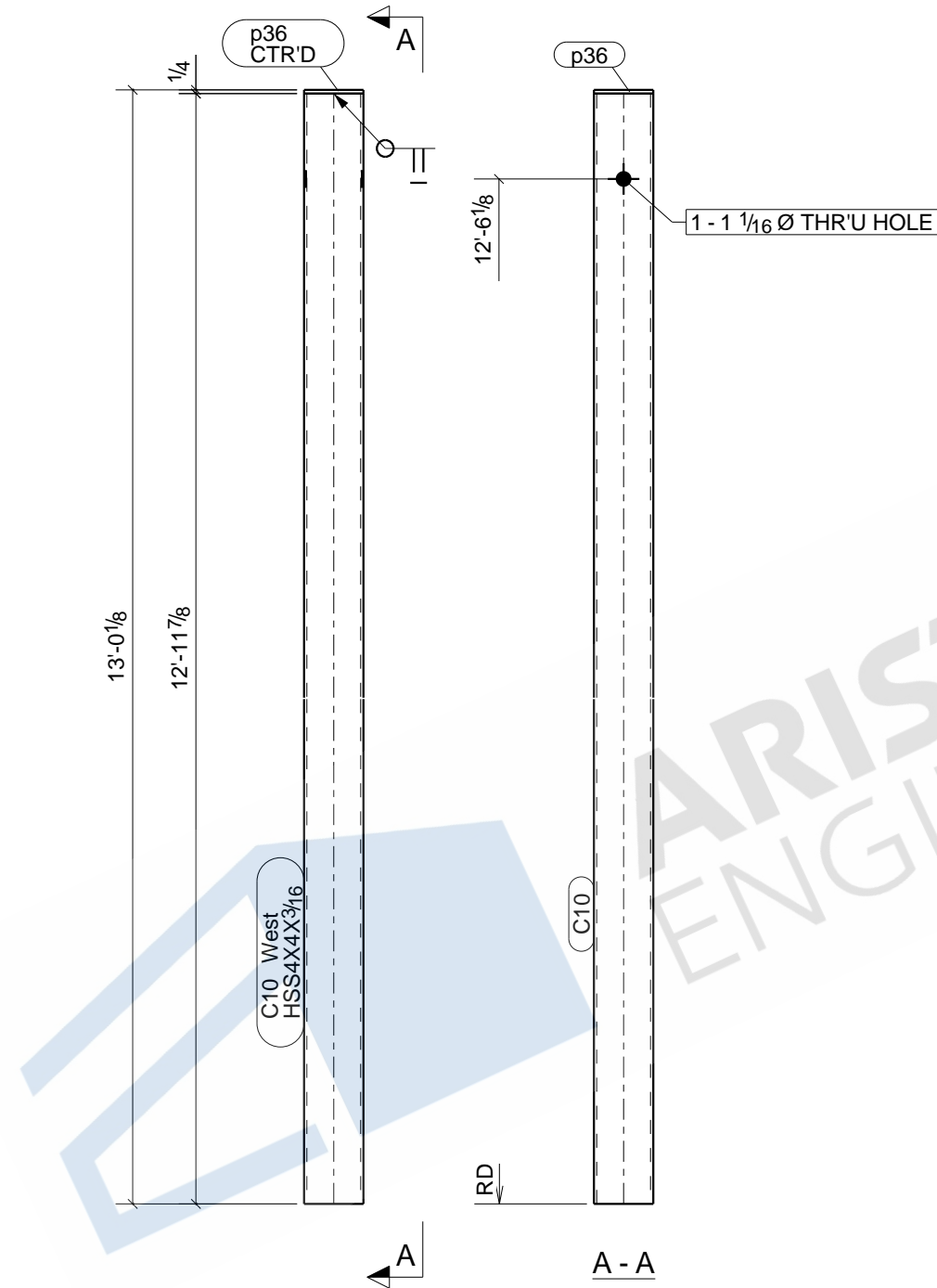
ONE - COLUMN - C9

BILL OF MATERIAL					
MARK	QTY	DESCRIPTION	LENGTH	WEIGHT	REMARKS
C9	1	COLUMN			SQ-2
C9	1	HSS5X5X3/16	30'-7 3/4"	342	GREY PRIMER A500-GR.B
p6	1	FB3/8"X4"	1'-0"	5	A36
p87	1	FB3/8"X4"	0'-9"	4	A36
p88	1	PL3/8"X4 5/16"	0'-9 3/16"	4	A36
p105	1	FB1/4"X5"	0'-5"	2	A36
TOTAL WEIGHT THIS DRAWING				357	

REV	DESCRIPTION	DATE

DESCRIPTION	COLUMN
PROJECT NAME	NEW ANNEX BUILDING
GC NAME	
DRAWN BY	NSP
DATE DRAWN	
JOB No.	
DRG No.	C9

GRID LOCATION	BOTTOM ELEVATION
2.2/Q	5'1/2
2.7/Q	5'1/2

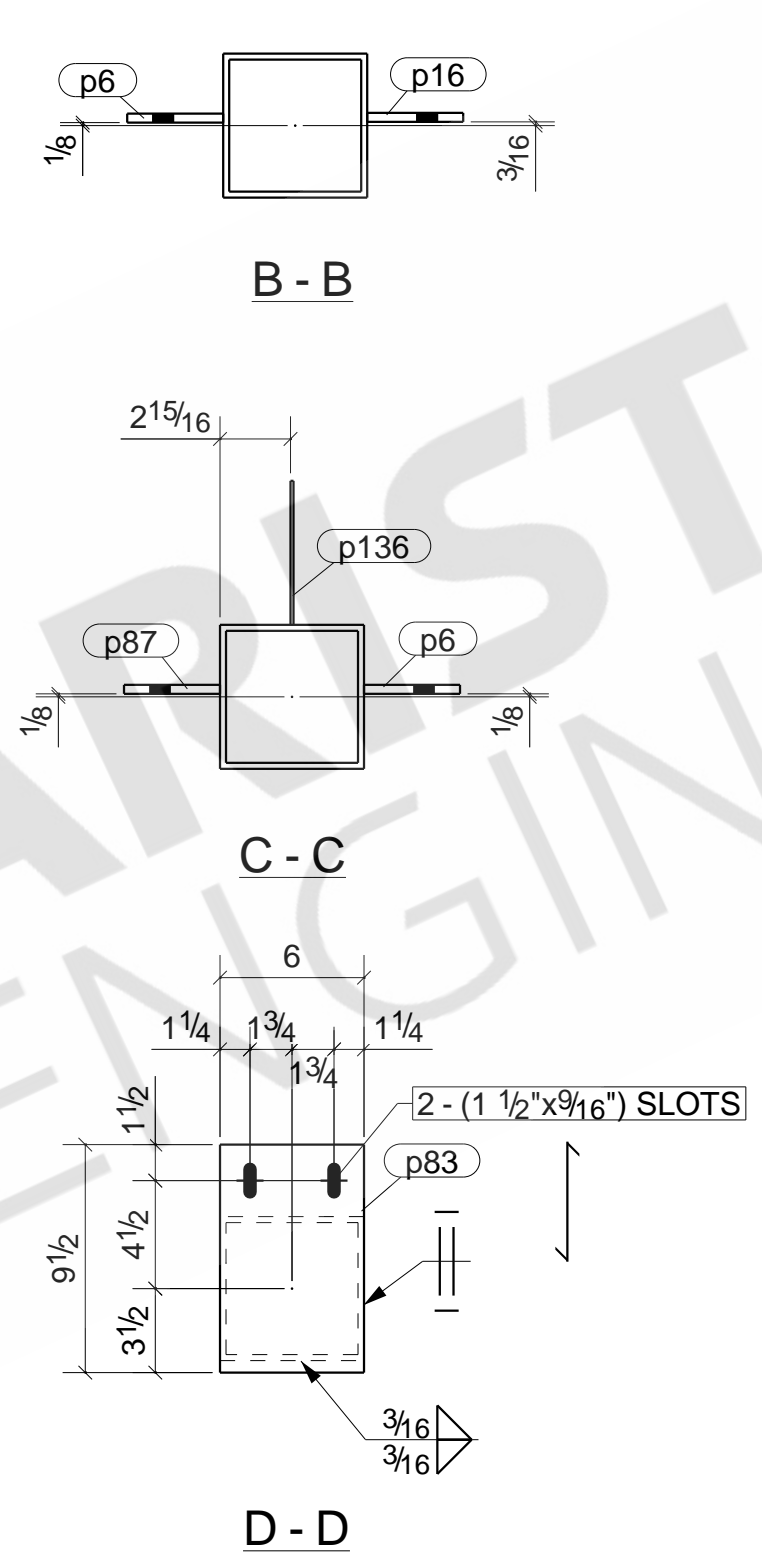
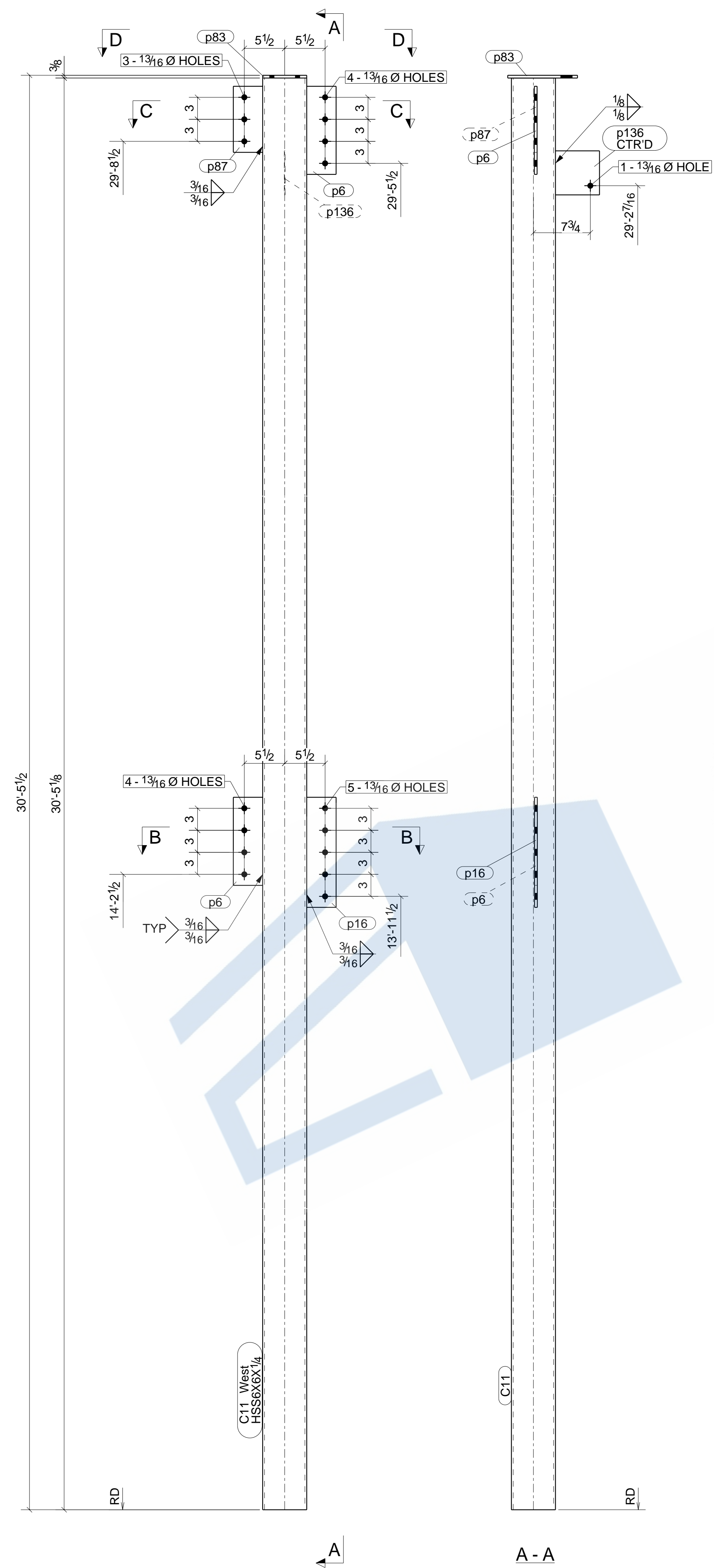


2 - COLUMNS - C10

BILL OF MATERIAL

MARK	QTY	DESCRIPTION	LENGTH	WEIGHT	REMARKS	DESCRIPTION	COLUMN	DATE
C10	2	COLUMNS			SQ-2	PROJECT NAME	NEW ANNEX BUILDING	
C10	2	HSS4X4X3/16	12'-11 7/8"	228	GREY PRIMER A500-GR.B	GC NAME		
p36	2	FB1/4"X4"	0'-4"	2	A36	DRAWN BY	NSP	JOB No.
TOTAL WEIGHT THIS DRAWING				230		DATE DRAWN		DRG No.
								C10

ARISTON
ENGINEERS



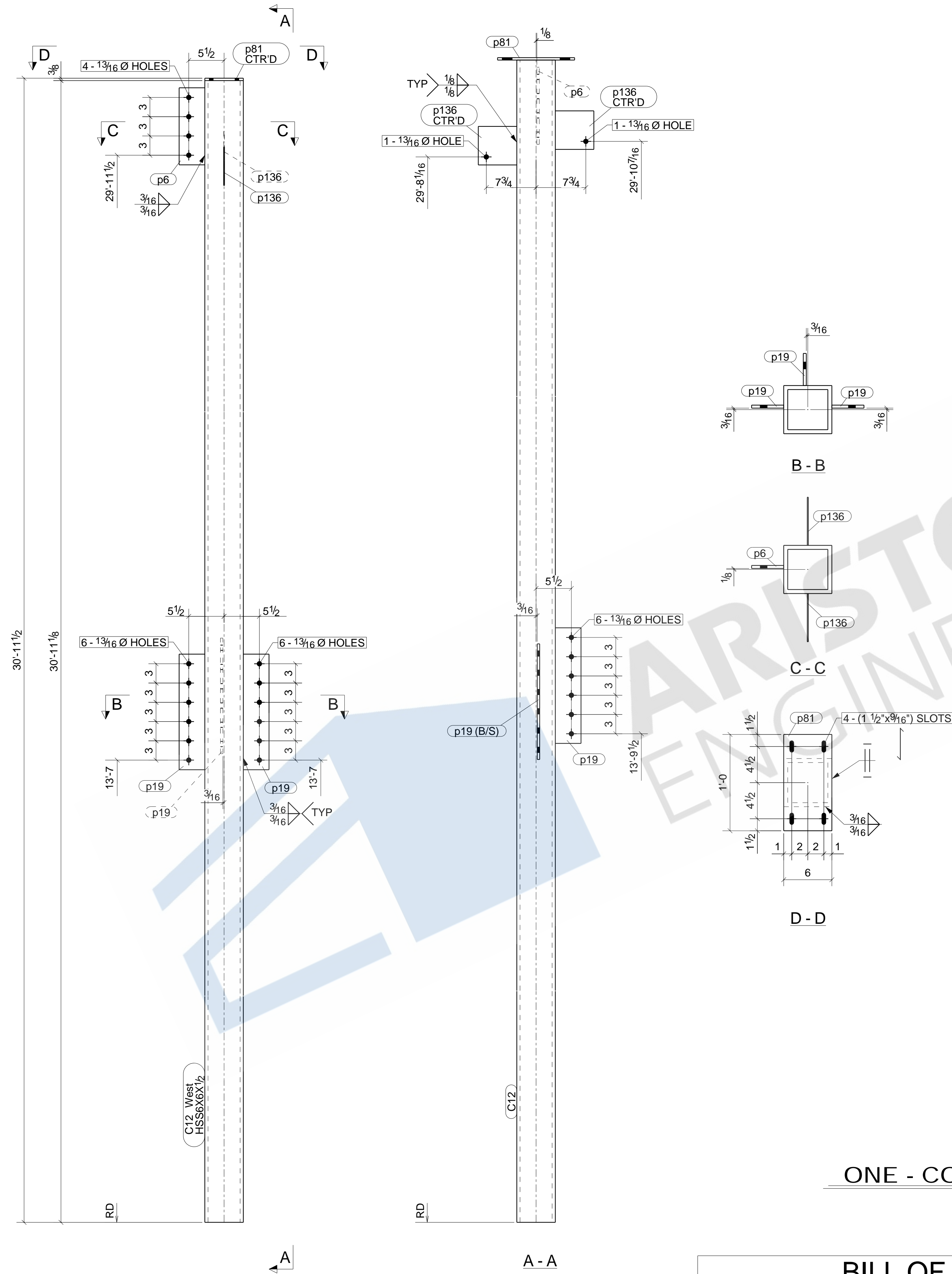
ONE - COLUMN - C11

BILL OF MATERIAL

MARK	QTY	DESCRIPTION	LENGTH	WEIGHT	REMARKS
C11	1	COLUMN			SQ-2
C11	1	HSS6X6X1/4	30'-5 1/8"	543	GREY PRIMER A500-GR.B
p6	2	FB3/8"X4"	1'-0"	10	A36
p16	1	FB3/8"X4"	1'-3"	6	A36
p83	1	FB3/8"X6"	0'-9 1/2"	6	A36
p87	1	FB3/8"X4"	0'-9"	4	A36
p136	1	FB1/8"X6"	0'-6"	1	A36
TOTAL WEIGHT THIS DRAWING				570	

REV	DESCRIPTION	DATE

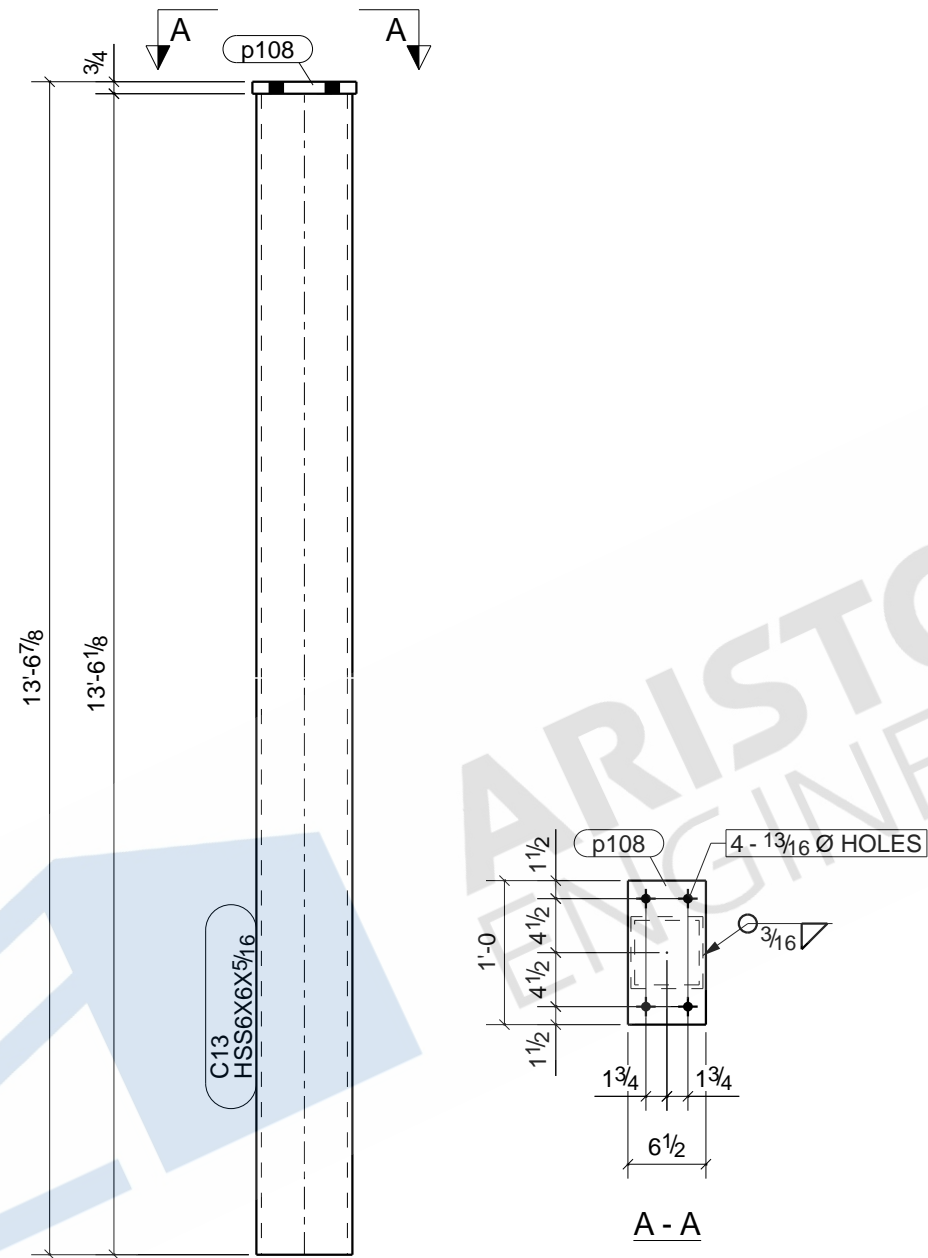
DESCRIPTION	COLUMN
PROJECT NAME	NEW ANNEX BUILDING
GC NAME	
DRAWN BY	NSP
DATE DRAWN	
JOB No.	
DRG No.	C11



ONE - COLUMN - C12

BILL OF MATERIAL						REV	DESCRIPTION	DATE
MARK	QTY	DESCRIPTION	LENGTH	WEIGHT	REMARKS			
C12	1	COLUMN			SQ-2			
C12	1	HSS6x6x1/2	30'-11 1/8"	1025	GREY PRIMER A500-GR.B			
p6	1	FB3/8"x4"	1'-0"	5	A36	DESCRIPTION	COLUMN	
p19	3	FB3/8"x4"	1'-6"	23	A36	PROJECT NAME	NEW ANNEX BUILDING	
p81	1	FB3/8"x6"	1'-0"	8	A36	GC NAME		
p136	2	FB1/8"x6"	0'-6"	3	A36	DRAWN BY	NSP	JOB No.
TOTAL WEIGHT THIS DRAWING				1063		DATE DRAWN		DRG No.
								C12

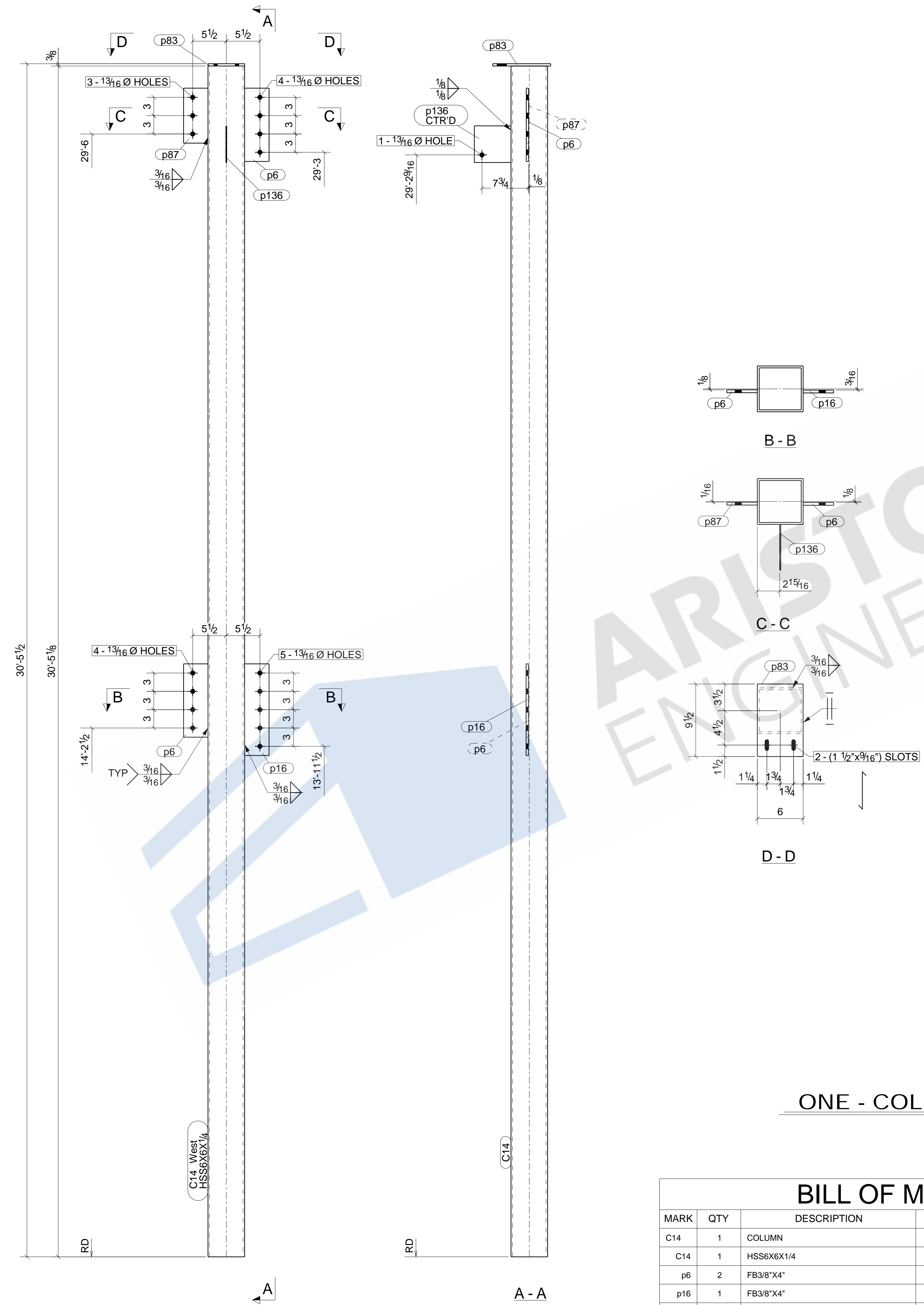
GRID LOCATION	BOTTOM ELEVATION
4/K	-6"1/2



ONE - COLUMN - C13

BILL OF MATERIAL

MARK	QTY	DESCRIPTION	LENGTH	WEIGHT	REMARKS	DESCRIPTION	COLUMN	REV	DESCRIPTION	DATE
C13	1	COLUMN			SQ-2	PROJECT NAME	NEW ANNEX BUILDING			
C13	1	HSS6X6X5/16	13'-6 1/8"	296	GREY PRIMER A500-GR.B	GC NAME				
p108	1	FB3/4"X6 1/2"	1'-0"	17	A36	DRAWN BY	NSP		JOB No.	DRG No.
TOTAL WEIGHT THIS DRAWING				312		DATE DRAWN				C13



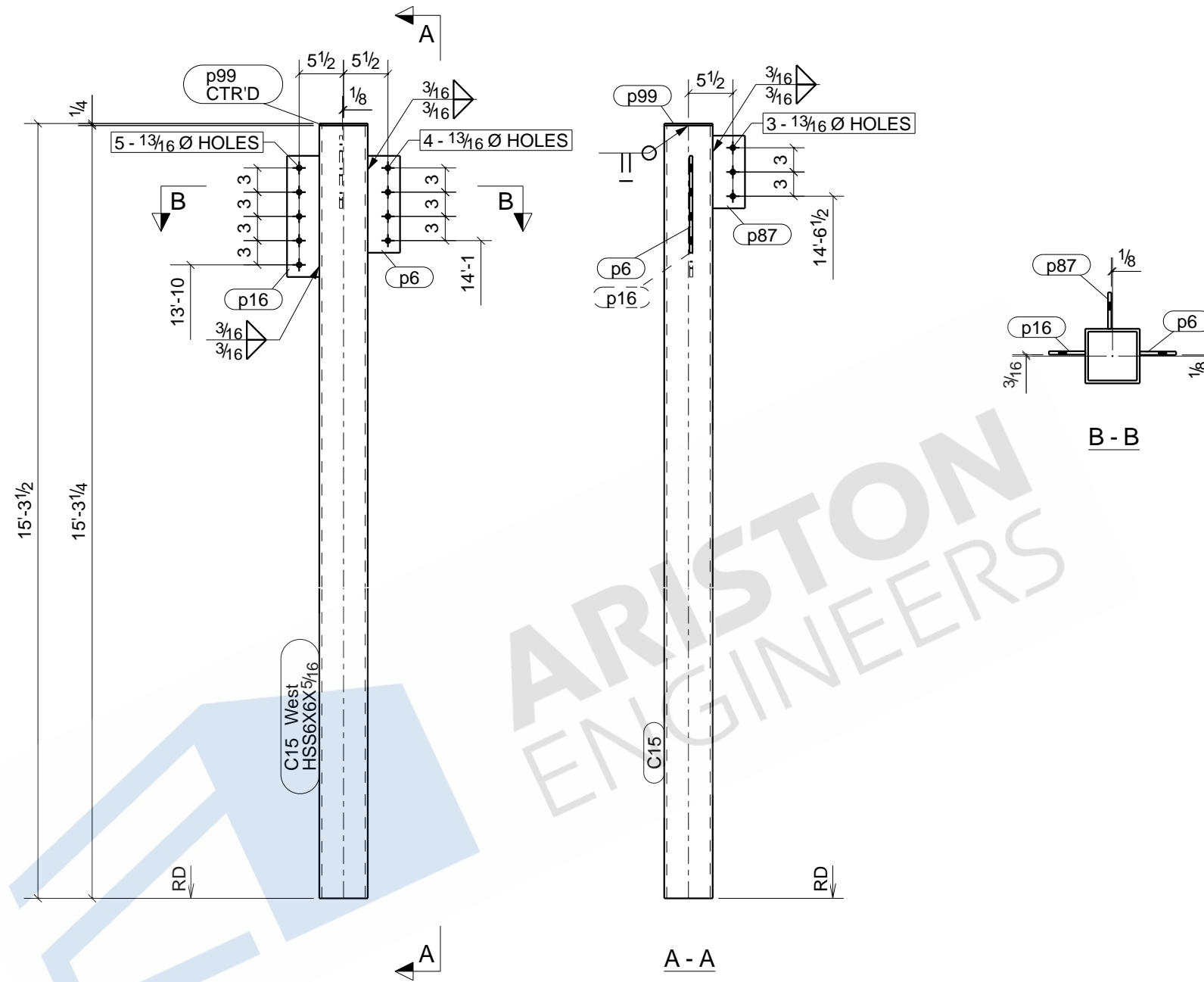
ONE - COLUMN - C14

BILL OF MATERIAL

MARK	QTY	DESCRIPTION	LENGTH	WEIGHT	REMARKS	REV	DESCRIPTION	DATE
C14	1	COLUMN			SQ-2			
C14	1	HSS6X6X1/4	30'-5 1/8"	543	GREY PRIMER A500-GR.B			
p6	2	FB3/8"X4"	1'-0"	10	A36			
p16	1	FB3/8"X4"	1'-3"	6	A36			
p83	1	FB3/8"X6"	0'-9 1/2"	6	A36			
p87	1	FB3/8"X4"	0'-9"	4	A36			
p136	1	FB1/8"X6"	0'-6"	1	A36			
TOTAL WEIGHT THIS DRAWING				570				

DESCRIPTION	COLUMN
PROJECT NAME	NEW ANNEX BUILDING
GC NAME	
DRAWN BY	NSP
DATE DRAWN	
JOB No.	
DRG No.	C14

GRID LOCATION	BOTTOM ELEVATION
5/F	-6"1/2

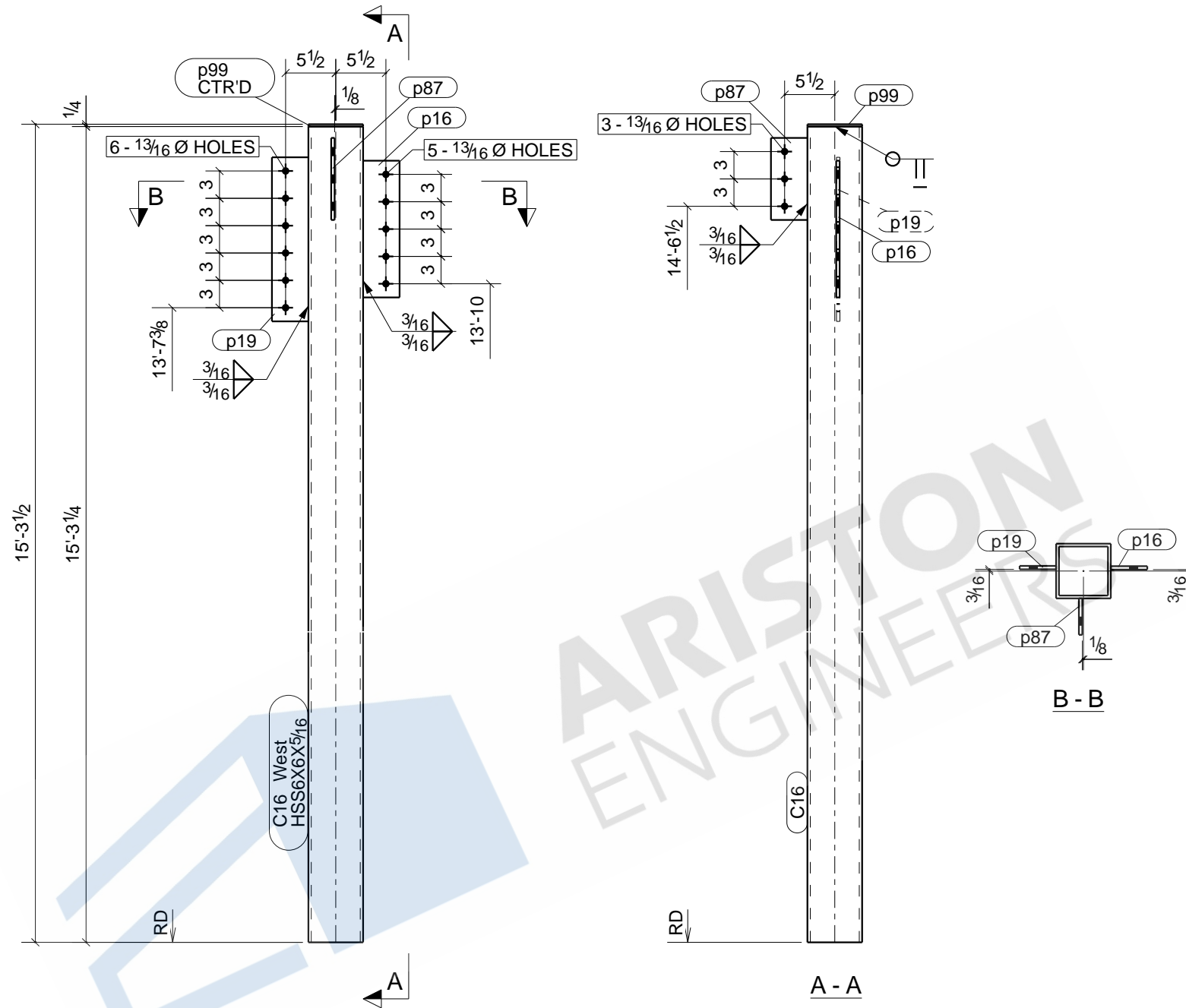


ONE - COLUMN - C15

BILL OF MATERIAL

BILL OF MATERIAL						REV	DESCRIPTION	DATE
MARK	QTY	DESCRIPTION	LENGTH	WEIGHT	REMARKS			
C15	1	COLUMN			SQ-2			
C15	1	HSS6X6X5/16	15'-3 1/4"	334	GREY PRIMER A500-GR.B			
p6	1	FB3/8"X4"	1'-0"	5	A36	DESCRIPTION	COLUMN	
p16	1	FB3/8"X4"	1'-3"	6	A36	PROJECT NAME	NEW ANNEX BUILDING	
p87	1	FB3/8"X4"	0'-9"	4	A36	GC NAME		
p99	1	FB1/4"X6"	0'-6"	3	A36	DRAWN BY	NSP	JOB No.
TOTAL WEIGHT THIS DRAWING				352		DATE DRAWN		DRG No.
								C15

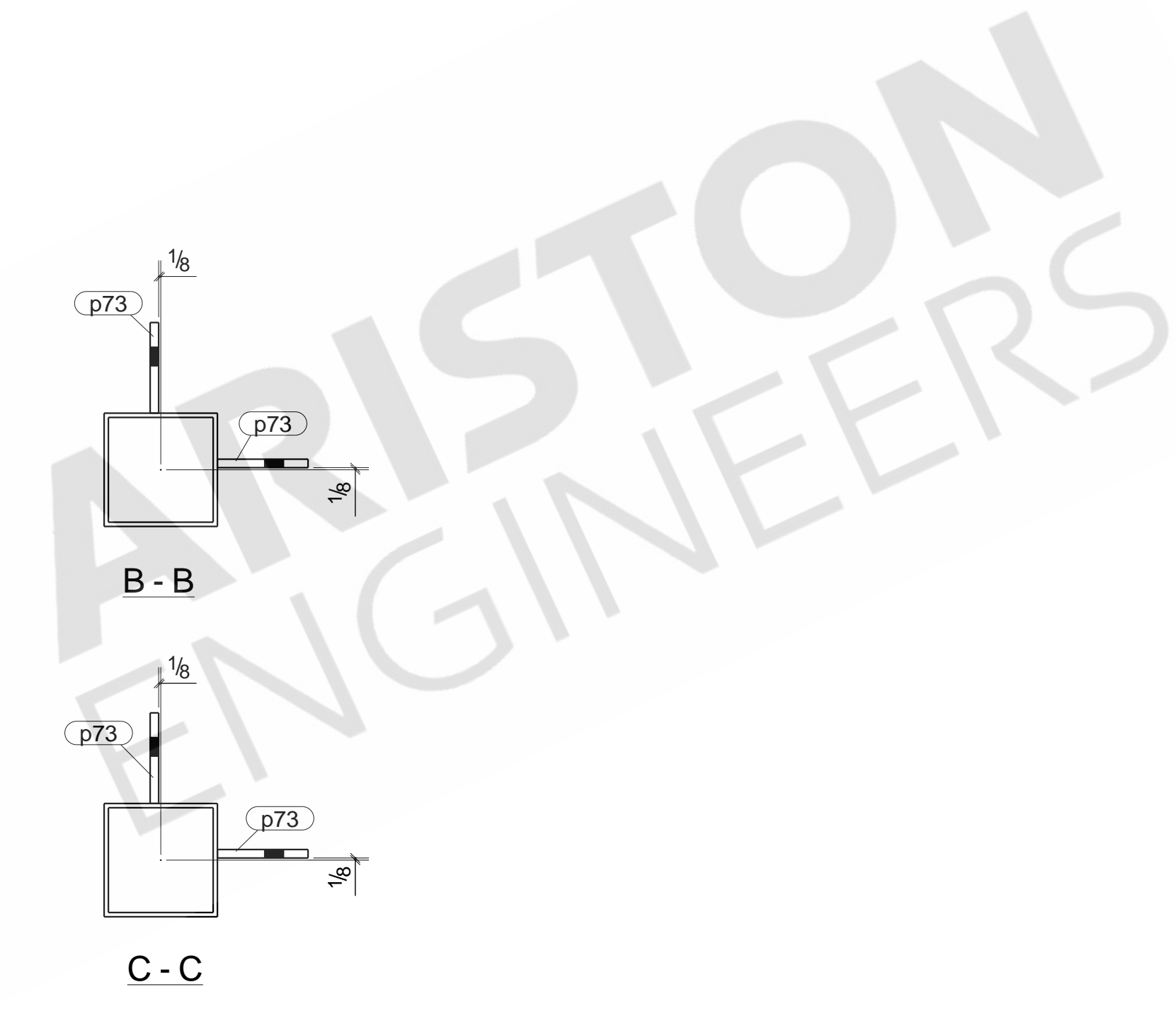
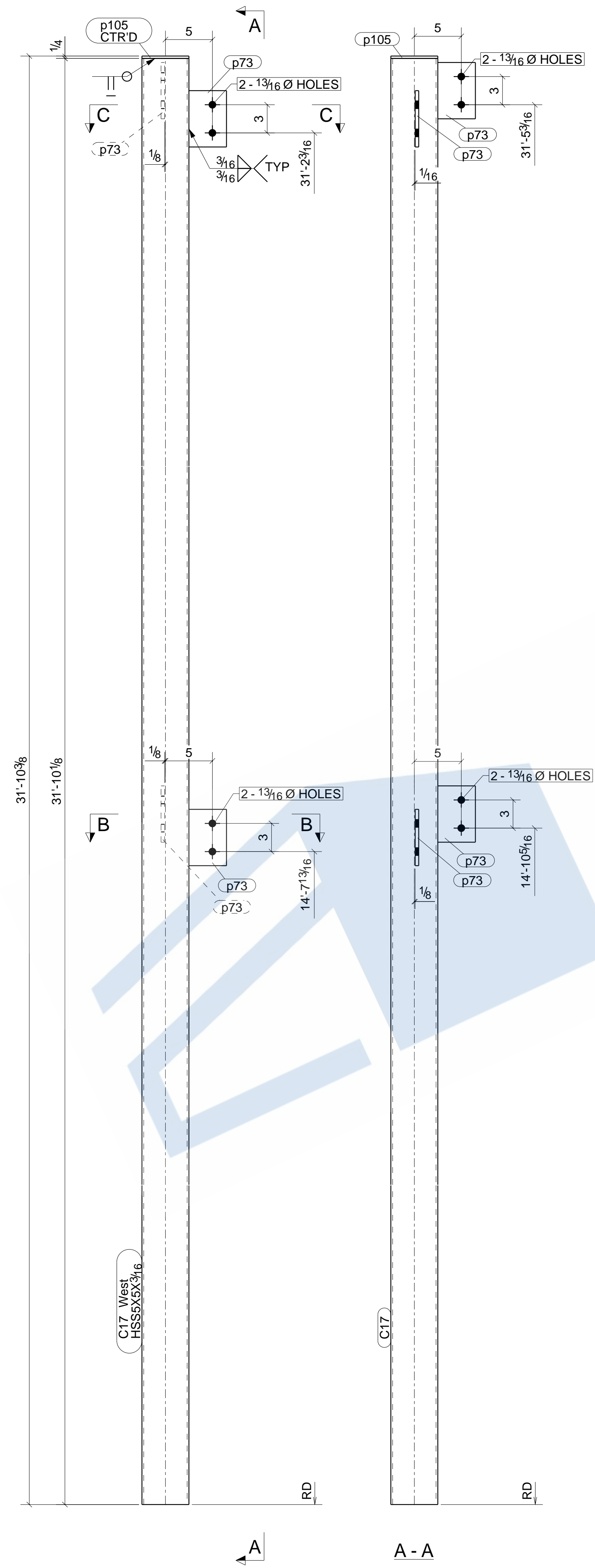
GRID LOCATION	BOTTOM ELEVATION
5/C	-6"1/2



ONE - COLUMN - C16

BILL OF MATERIAL

BILL OF MATERIAL						REV	DESCRIPTION	DATE
MARK	QTY	DESCRIPTION	LENGTH	WEIGHT	REMARKS			
C16	1	COLUMN			SQ-2			
C16	1	HSS6X6X5/16	15'-3 1/4"	334	GREY PRIMER A500-GR.B			
p16	1	FB3/8"X4"	1'-3"	6	A36	DESCRIPTION	COLUMN	
p19	1	FB3/8"X4"	1'-6"	8	A36	PROJECT NAME	NEW ANNEX BUILDING	
p87	1	FB3/8"X4"	0'-9"	4	A36	GC NAME		
p99	1	FB1/4"X6"	0'-6"	3	A36	DRAWN BY	NSP	JOB No.
TOTAL WEIGHT THIS DRAWING				355		DATE DRAWN		DRG No.
								C16

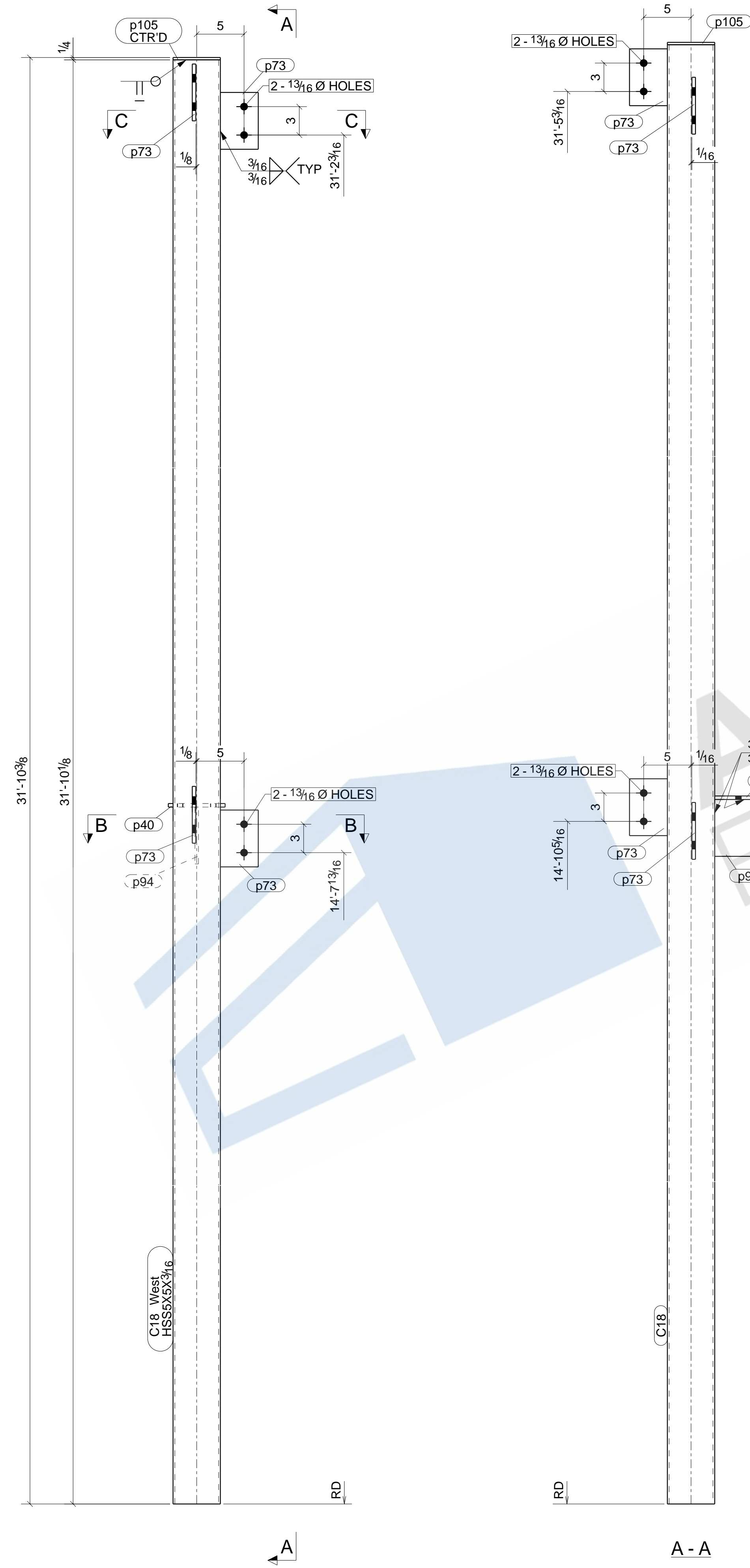


ONE - COLUMN - C17

BILL OF MATERIAL					
MARK	QTY	DESCRIPTION	LENGTH	WEIGHT	REMARKS
C17	1	COLUMN			SQ-2
C17	1	HSS5X5X3/16	31'-10 1/8"	355	GREY PRIMER A500-GR.B
p73	4	FB3/8"X4"	0'-6"	10	A36
p105	1	FB1/4"X5"	0'-5"	2	A36
TOTAL WEIGHT THIS DRAWING				367	

REV	DESCRIPTION	DATE

DESCRIPTION	COLUMN
PROJECT NAME	NEW ANNEX BUILDING
GC NAME	
DRAWN BY	NSP
DATE DRAWN	
JOB No.	
DRG No.	C17

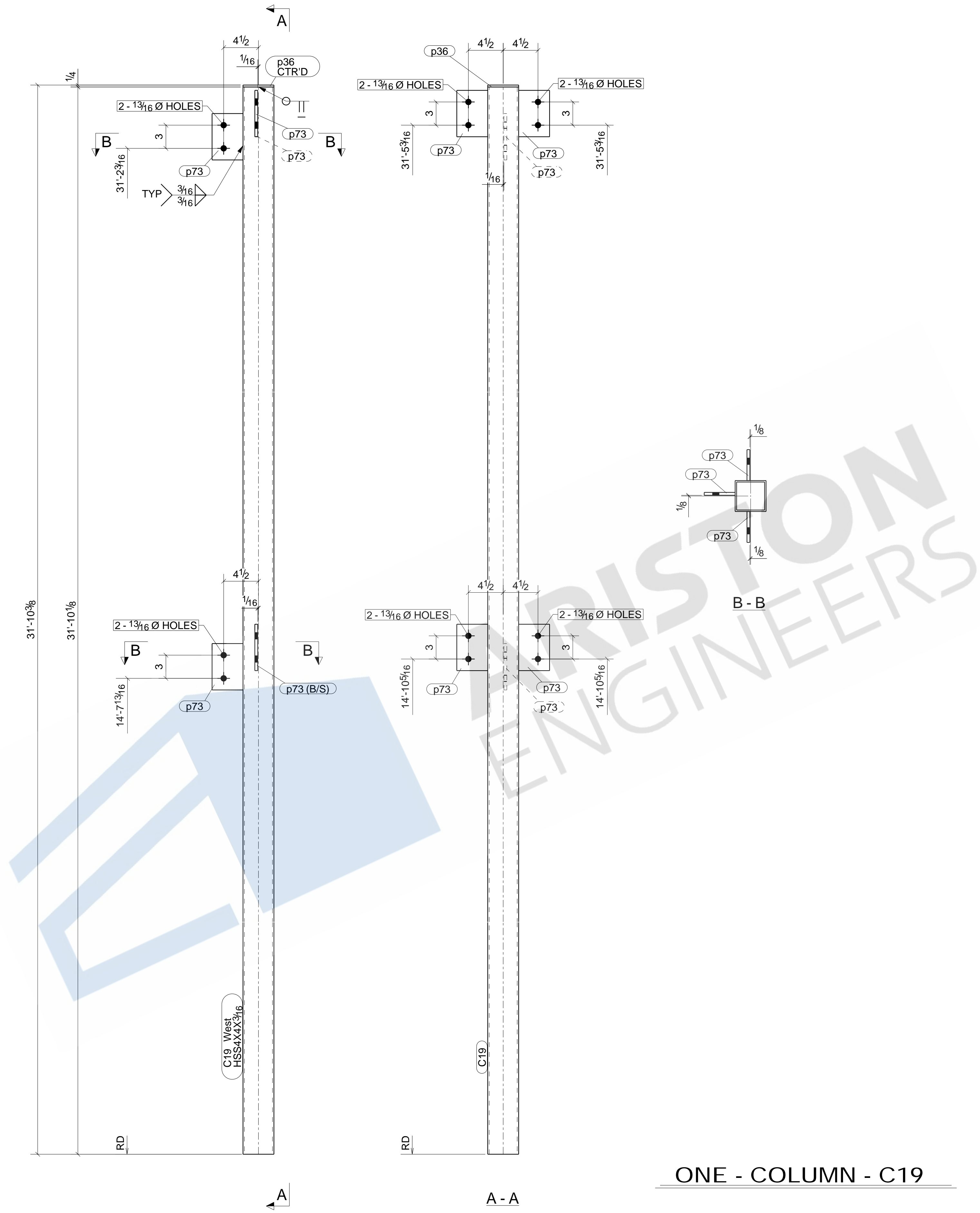


ONE - COLUMN - C18

BILL OF MATERIAL					
MARK	QTY	DESCRIPTION	LENGTH	WEIGHT	REMARKS
C18	1	COLUMN			SQ-2
C18	1	HSS5X5X3/16	31'-10 1/8"	355	GREY PRIMER A500-GR.B
p40	1	FB3/8"X4"	0'-6"	3	A36
p73	4	FB3/8"X4"	0'-6"	10	A36
p94	1	FB3/8"X4"	0'-6"	3	A36
p105	1	FB1/4"X5"	0'-5"	2	A36
TOTAL WEIGHT THIS DRAWING				373	

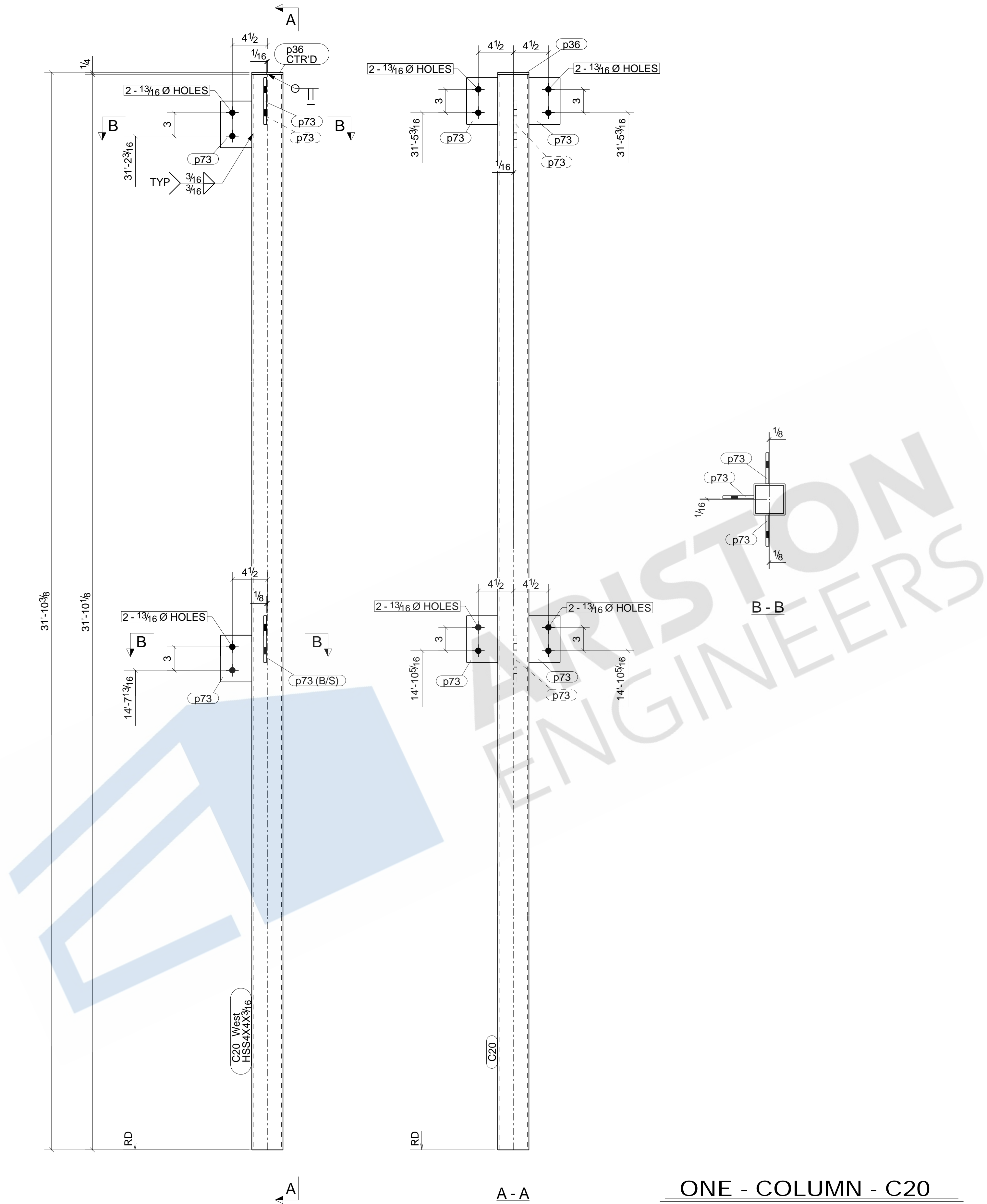
REV	DESCRIPTION	DATE

DESCRIPTION	COLUMN
PROJECT NAME	NEW ANNEX BUILDING
GC NAME	
DRAWN BY	NSP
DATE DRAWN	
JOB No.	
DRG No.	C18



ONE - COLUMN - C19

BILL OF MATERIAL						REV	DESCRIPTION	DATE
MARK	QTY	DESCRIPTION	LENGTH	WEIGHT	REMARKS			
C19	1	COLUMN			SQ-2			
C19	1	HSS4X4X3/16	31'-10 1/8"	280	GREY PRIMER A500-GR.B	DESCRIPTION	COLUMN	
p36	1	FB1/4"X4"	0'-4"	1	A36	PROJECT NAME	NEW ANNEX BUILDING	
p73	6	FB3/8"X4"	0'-6"	15	A36	GC NAME		
TOTAL WEIGHT THIS DRAWING						296	DRAWN BY	NSP
						DATE DRAWN	JOB No.	DRG No.
								C19

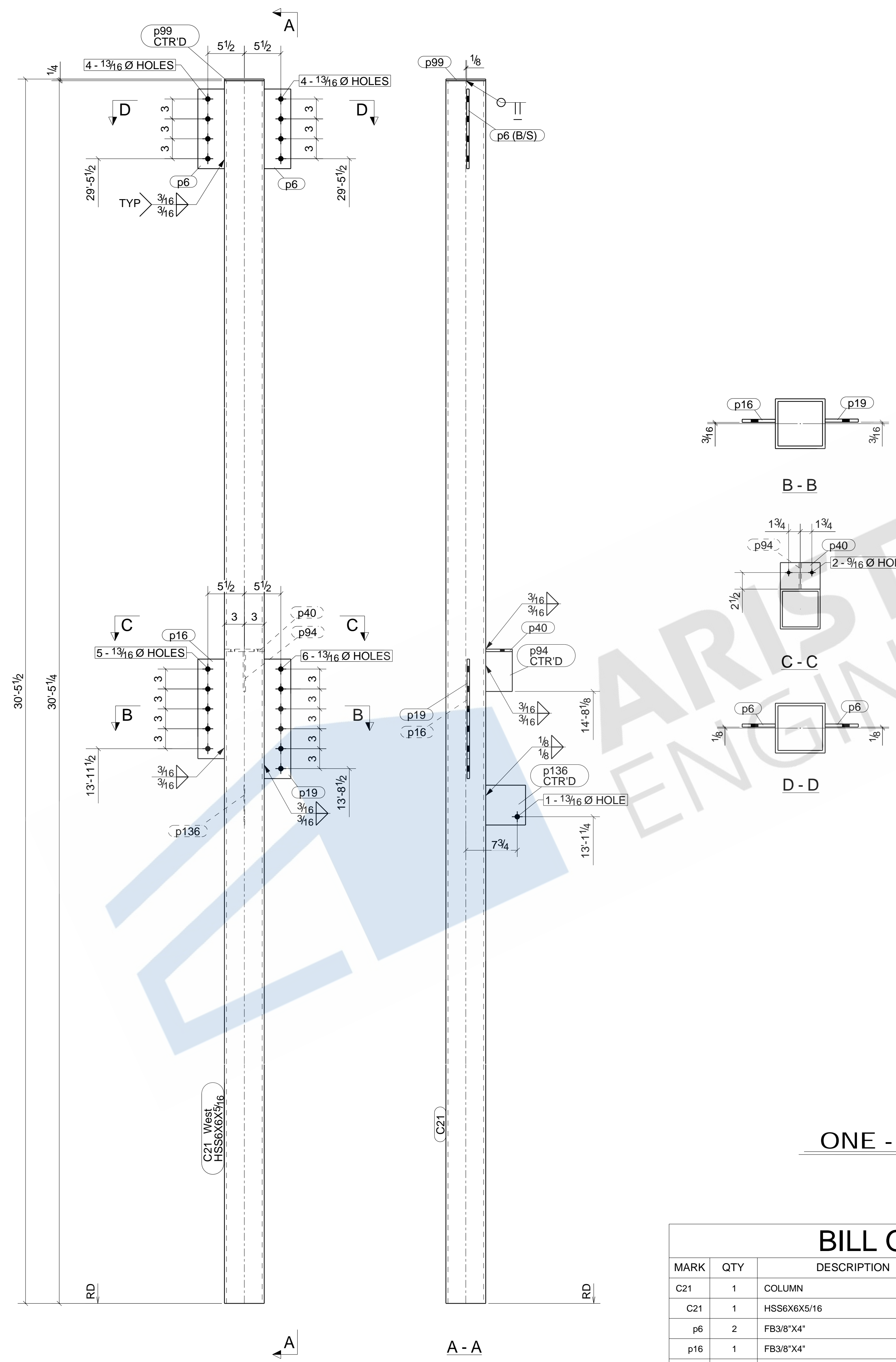


ONE - COLUMN - C20

BILL OF MATERIAL					
MARK	QTY	DESCRIPTION	LENGTH	WEIGHT	REMARKS
C20	1	COLUMN			SQ-2
C20	1	HSS4x4x3/16	31'-10 1/8"	280	GREY PRIMER A500-GR.B
p36	1	FB1/4"x4"	0'-4"	1	A36
p73	6	FB3/8"x4"	0'-6"	15	A36
TOTAL WEIGHT THIS DRAWING				296	

REV	DESCRIPTION	DATE

DESCRIPTION	COLUMN
PROJECT NAME	NEW ANNEX BUILDING
GC NAME	
DRAWN BY	NSP
DATE DRAWN	
JOB No.	
DRG No.	C20



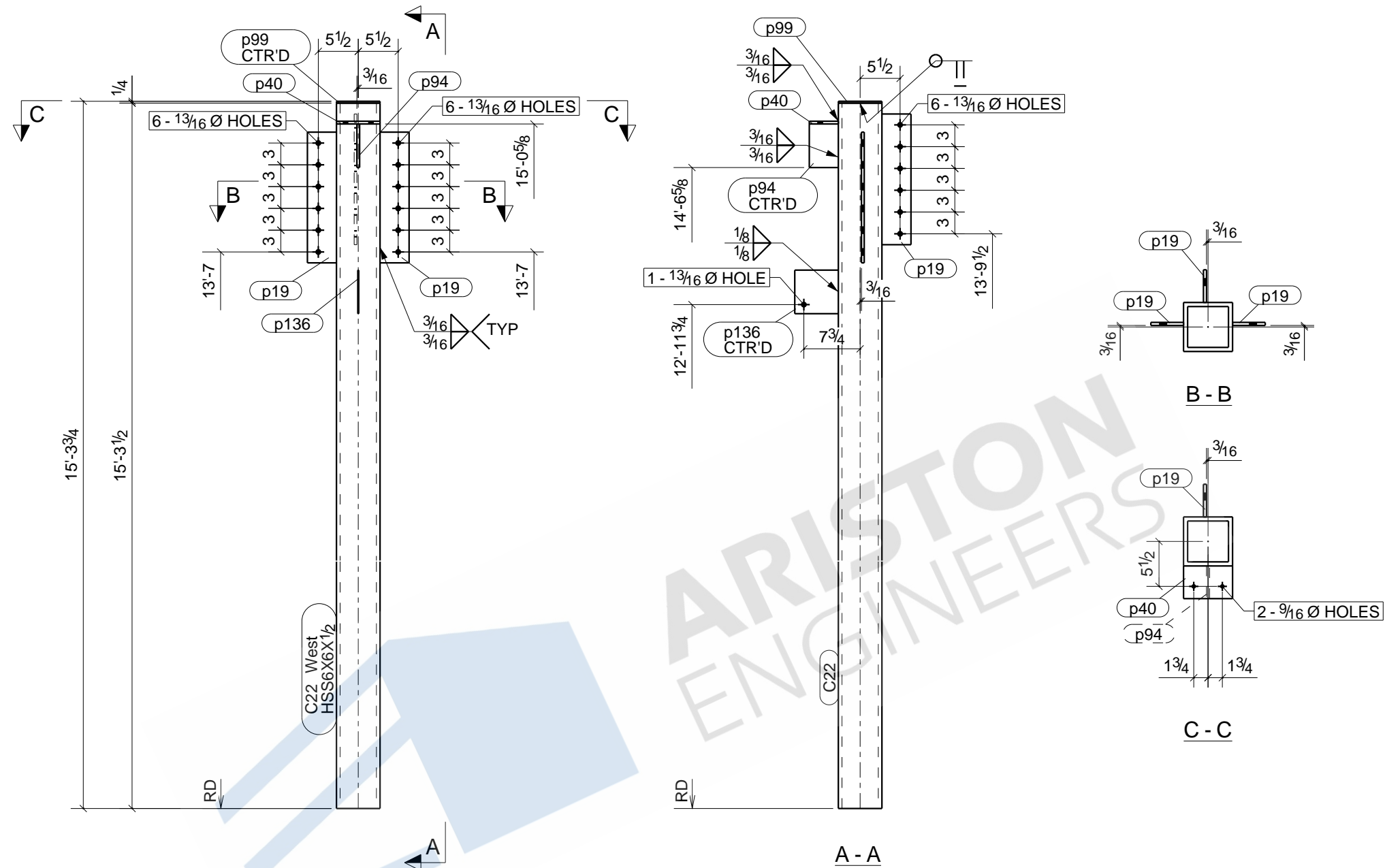
ONE - COLUMN - C21

BILL OF MATERIAL					
MARK	QTY	DESCRIPTION	LENGTH	WEIGHT	REMARKS
C21	1	COLUMN			SQ-2
C21	1	HSS6X6X5/16	30'-5 1/4"	666	GREY PRIMER A500-GR.B
p6	2	FB3/8"X4"	1'-0"	10	A36
p16	1	FB3/8"X4"	1'-3"	6	A36
p19	1	FB3/8"X4"	1'-6"	8	A36
p40	1	FB3/8"X4"	0'-6"	3	A36
p94	1	FB3/8"X4"	0'-6"	3	A36
p99	1	FB1/4"X6"	0'-6"	3	A36
p136	1	FB1/8"X6"	0'-6"	1	A36
TOTAL WEIGHT THIS DRAWING				699	

REV	DESCRIPTION	DATE

DESCRIPTION	COLUMN
PROJECT NAME	NEW ANNEX BUILDING
GC NAME	
DRAWN BY	NSP
DATE DRAWN	
JOB No.	
DRG No.	C21

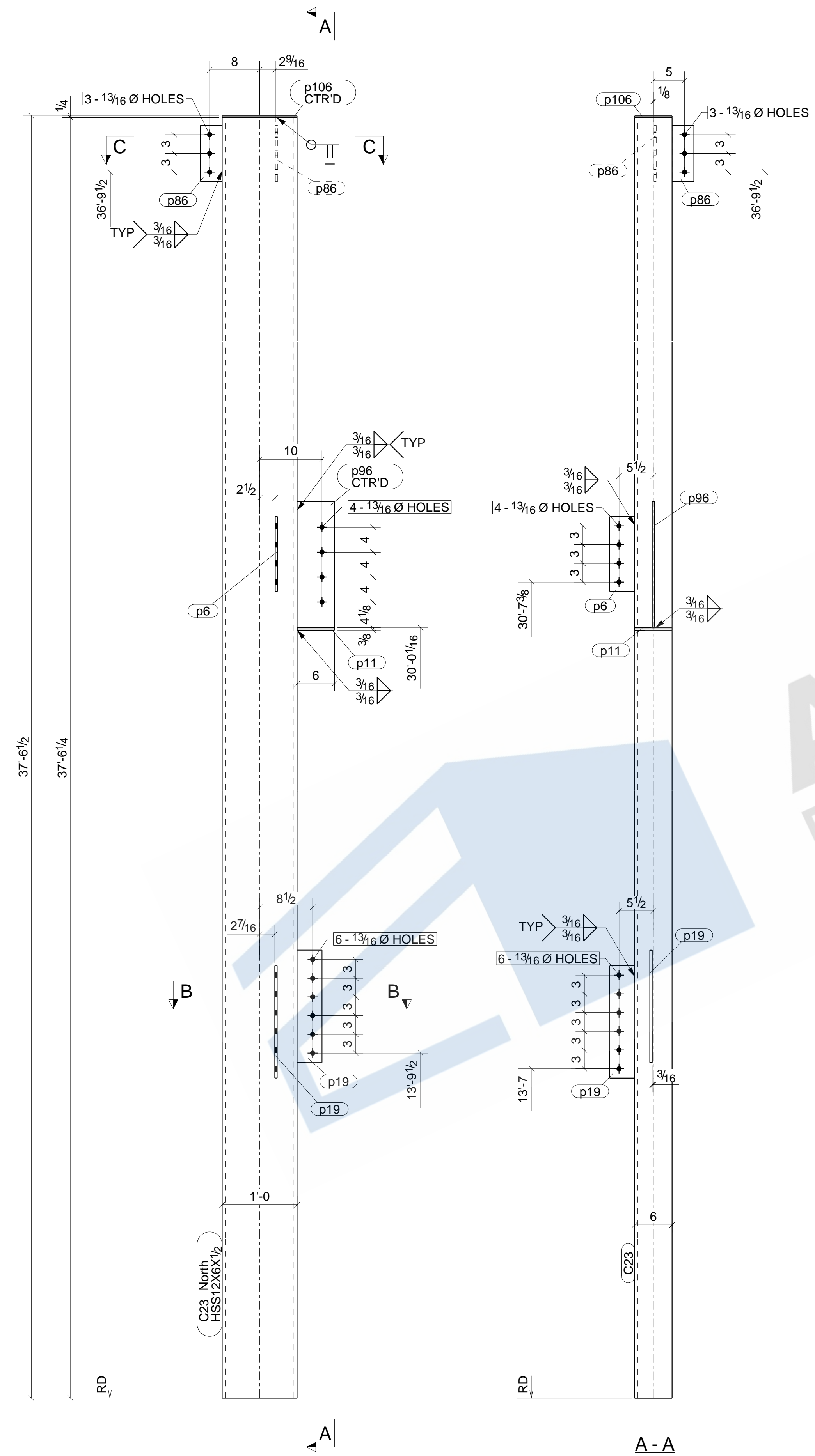
GRID LOCATION	BOTTOM ELEVATION
8/N	-6"1/2



ONE - COLUMN - C22

BILL OF MATERIAL

MARK	QTY	DESCRIPTION	LENGTH	WEIGHT	REMARKS	REV	DESCRIPTION	DATE
C22	1	COLUMN			SQ-2			
C22	1	HSS6X6X1/2	15'-3 1/2"	507	GREY PRIMER A500-GR.B			
p19	3	FB3/8"X4"	1'-6"	23	A36			
p40	1	FB3/8"X4"	0'-6"	3	A36	DESCRIPTION	COLUMN	
p94	1	FB3/8"X4"	0'-6"	3	A36	PROJECT NAME	NEW ANNEX BUILDING	
p99	1	FB1/4"X6"	0'-6"	3	A36	GC NAME		
p136	1	FB1/8"X6"	0'-6"	1	A36	DRAWN BY	NSP	JOB No.
TOTAL WEIGHT THIS DRAWING				539		DATE DRAWN		DRG No. C22



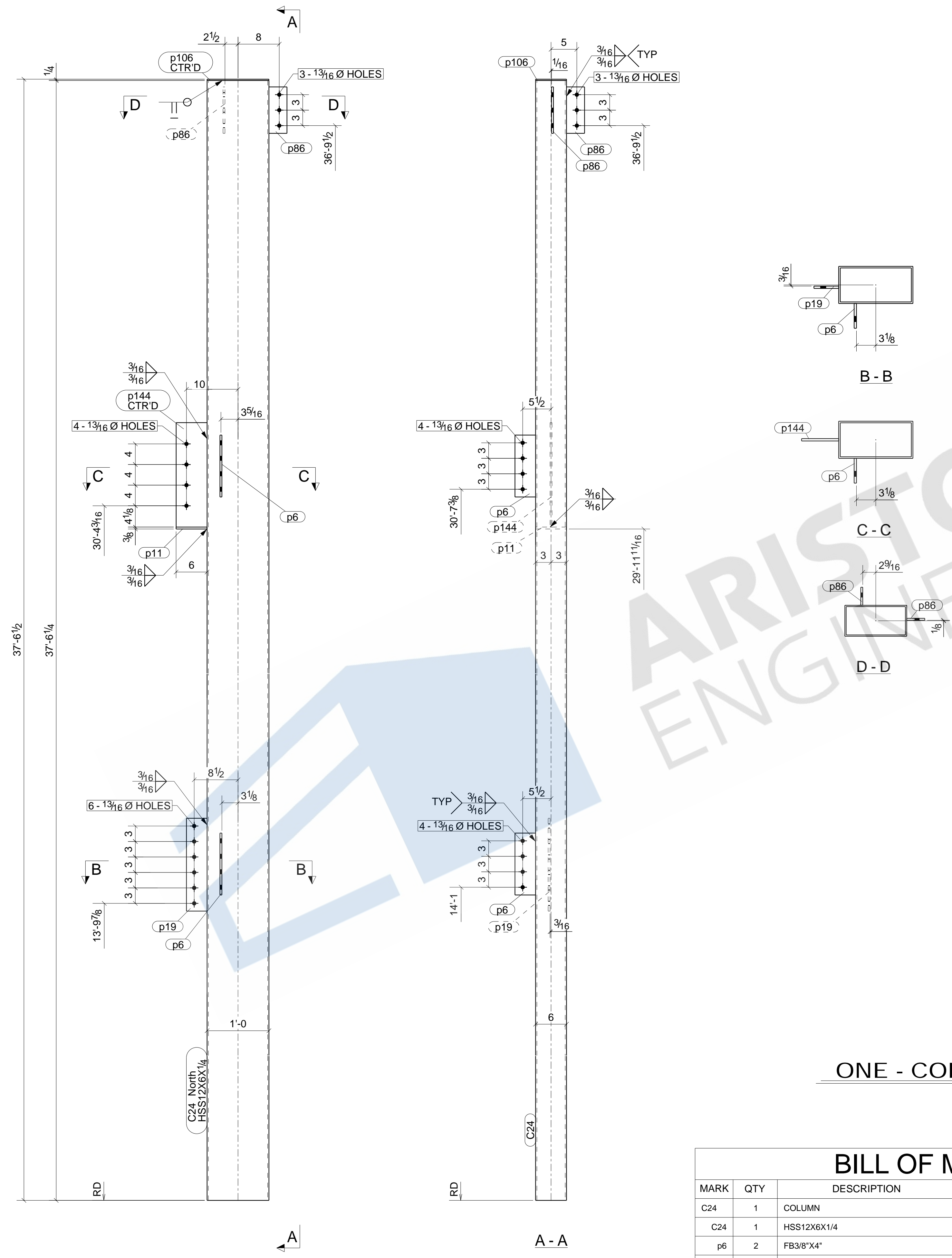
ONE - COLUMN - C23

BILL OF MATERIAL

MARK	QTY	DESCRIPTION	LENGTH	WEIGHT	REMARKS
C23	1	COLUMN			SQ-2
C23	1	HSS12X6X1/2	37'-6 1/4"	1954	GREY PRIMER A500-GR.B
p6	1	FB3/8"X4"	1'-0"	5	A36
p11	1	FB3/8"X6"	0'-6"	4	A36
p19	2	FB3/8"X4"	1'-6"	15	A36
p86	2	FB3/8"X3 1/2"	0'-9"	7	A36
p96	1	FB3/8"X6"	1'-8 1/4"	13	A36
p106	1	FB1/4"X6"	1'-0"	5	A36
TOTAL WEIGHT THIS DRAWING				2003	

REV	DESCRIPTION	DATE

DESCRIPTION	COLUMN
PROJECT NAME	NEW ANNEX BUILDING
GC NAME	
DRAWN BY	NSP
DATE DRAWN	
JOB No.	
DRG No.	C23



ONE - COLUMN - C24

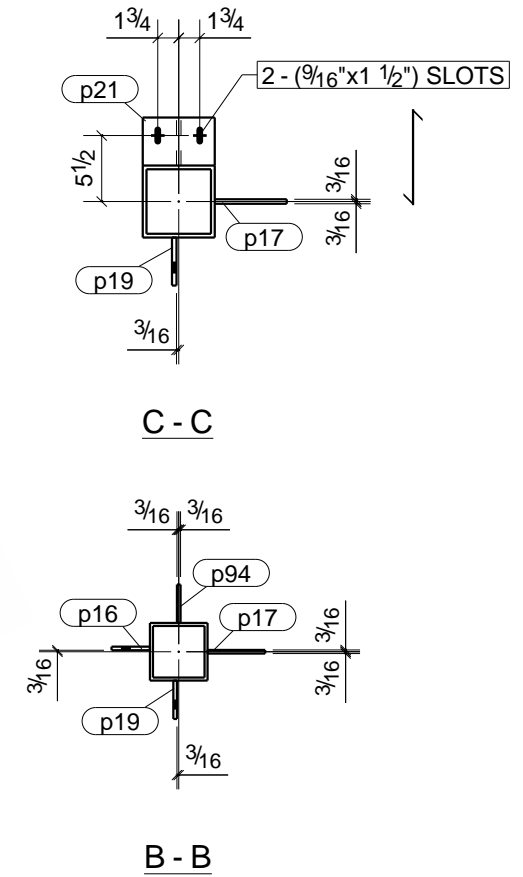
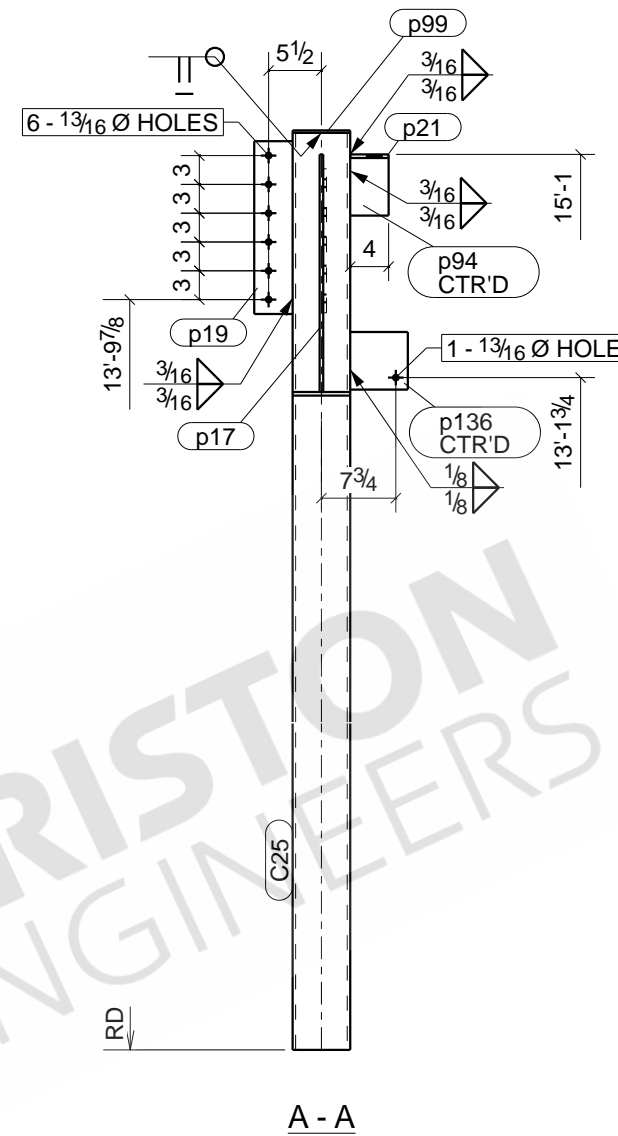
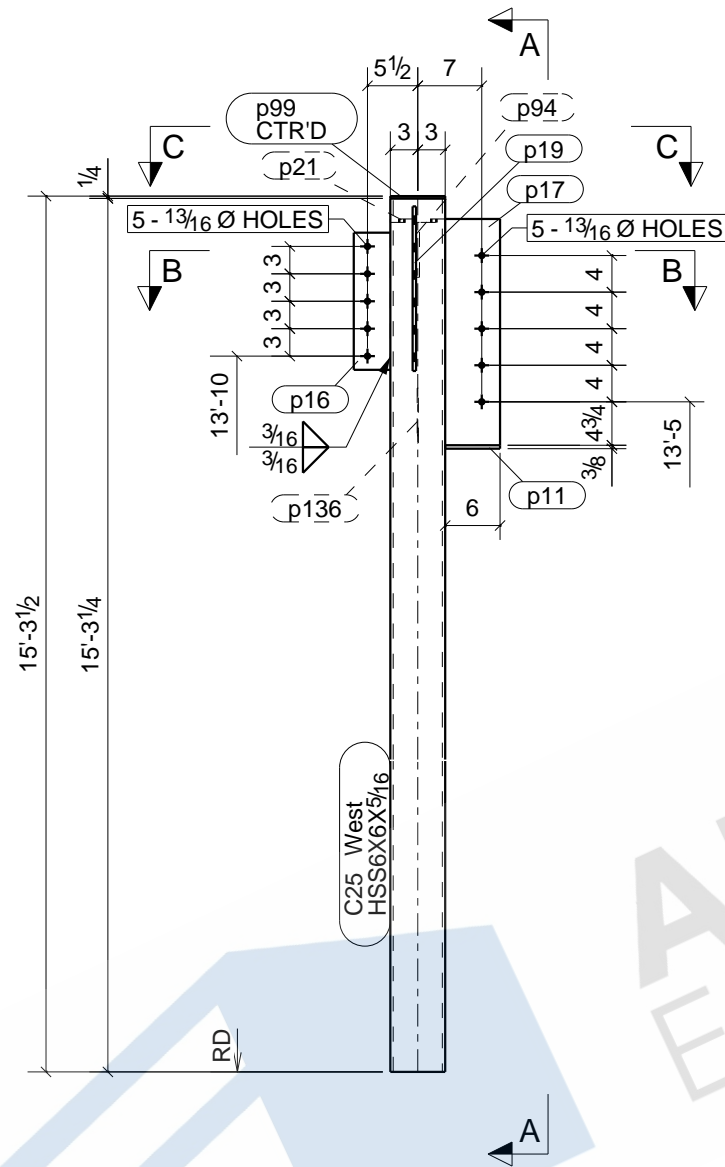
BILL OF MATERIAL

MARK	QTY	DESCRIPTION	LENGTH	WEIGHT	REMARKS
C24	1	COLUMN			SQ-2
C24	1	HSS12X6X1/4	37'-6 1/4"	1025	GREY PRIMER A500-GR.B
p6	2	FB3/8"X4"	1'-0"	10	A36
p11	1	FB3/8"X6"	0'-6"	4	A36
p19	1	FB3/8"X4"	1'-6"	8	A36
p86	2	FB3/8"X3 1/2"	0'-9"	7	A36
p106	1	FB1/4"X6"	1'-0"	5	A36
p144	1	FB3/8"X6"	1'-8 1/4"	13	A36
TOTAL WEIGHT THIS DRAWING				1072	

REV	DESCRIPTION	DATE

DESCRIPTION	COLUMN
PROJECT NAME	NEW ANNEX BUILDING
GC NAME	
DRAWN BY	NSP
DATE DRAWN	
JOB No.	
DRG No.	C24

GRID LOCATION	BOTTOM ELEVATION
8/C	-6"1/2



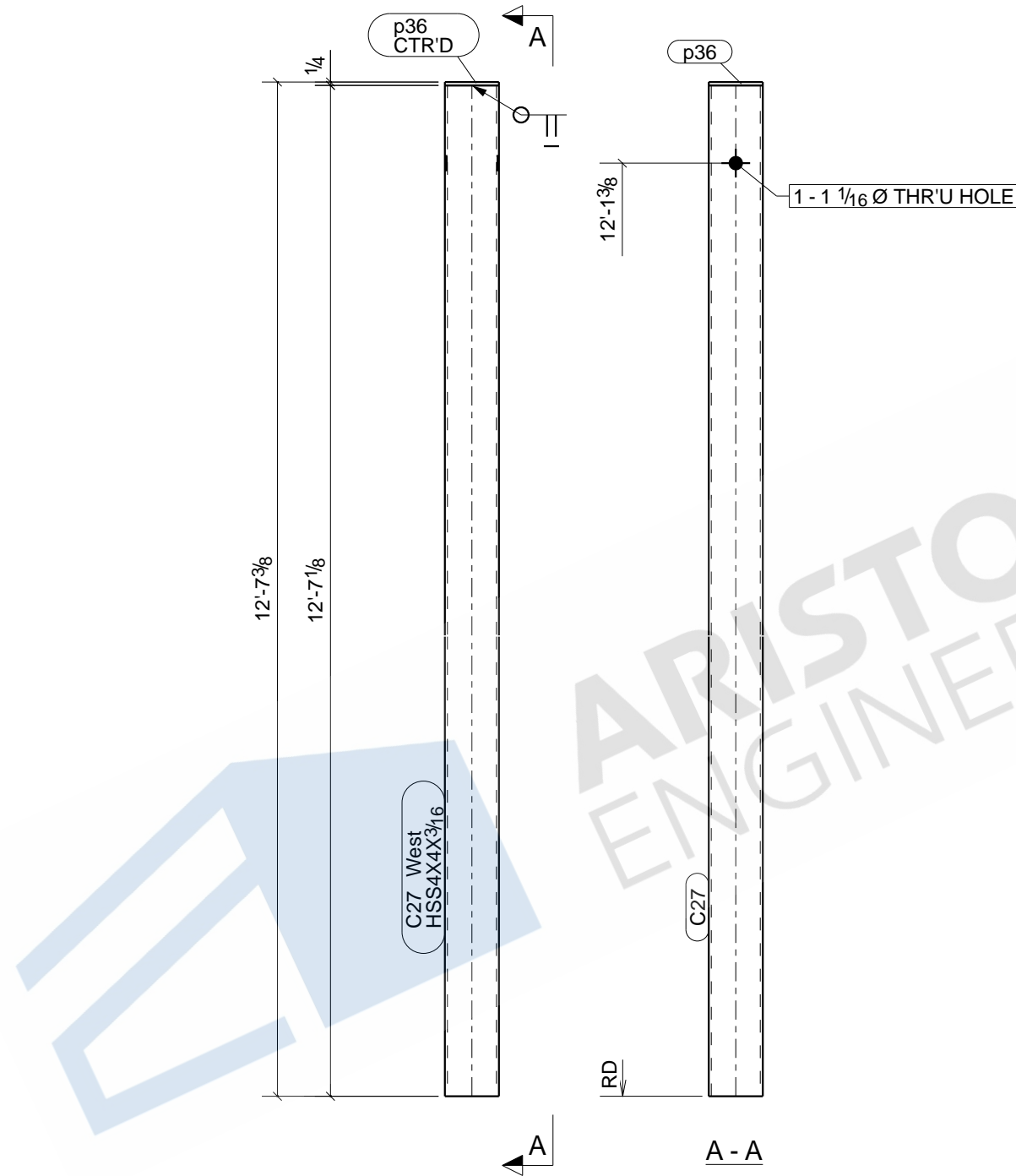
ONE - COLUMN - C25

BILL OF MATERIAL

MARK	QTY	DESCRIPTION	LENGTH	WEIGHT	REMARKS
C25	1	COLUMN			SQ-2
C25	1	HSS6X6X5/16	15'-3 1/4"	334	GREY PRIMER A500-GR.B
p11	1	FB3/8"X6"	0'-6"	4	A36
p16	1	FB3/8"X4"	1'-3"	6	A36
p17	1	FB3/8"X6"	2'-0 3/4"	16	A36
p19	1	FB3/8"X4"	1'-6"	8	A36
p21	1	FB3/8"X4"	0'-6"	3	A36
p94	1	FB3/8"X4"	0'-6"	3	A36
p99	1	FB1/4"X6"	0'-6"	3	A36
p136	1	FB1/8"X6"	0'-6"	1	A36
TOTAL WEIGHT THIS DRAWING				377	

REV	DESCRIPTION	DATE
	DESCRIPTION	COLUMN
	PROJECT NAME	NEW ANNEX BUILDING
	GC NAME	
	DRAWN BY	NSP
	DATE DRAWN	
	JOB No.	DRG No.
		C25

GRID LOCATION	BOTTOM ELEVATION
8.2/Q	5'1/2

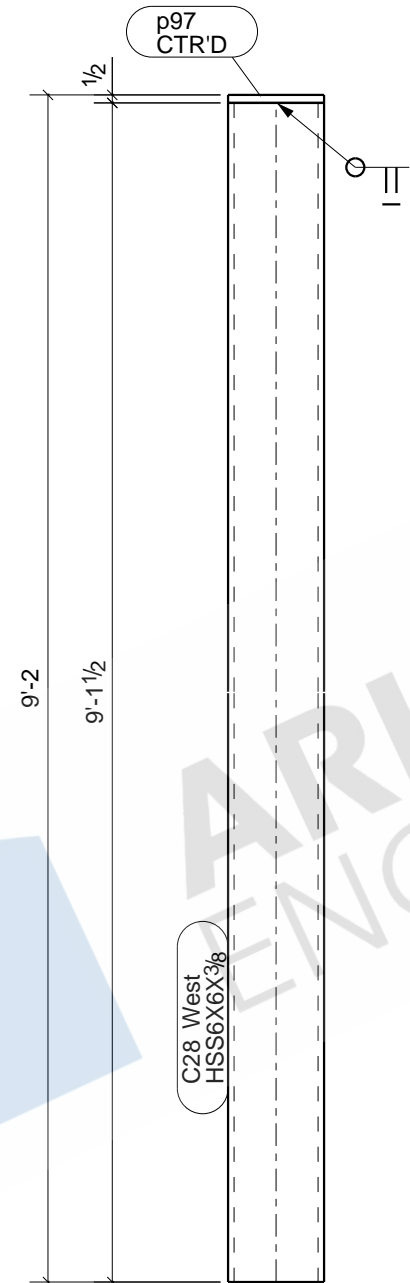


ONE - COLUMN - C27

BILL OF MATERIAL

MARK	QTY	DESCRIPTION	LENGTH	WEIGHT	REMARKS	DESCRIPTION	COLUMN	DATE
C27	1	COLUMN			SQ-2	PROJECT NAME	NEW ANNEX BUILDING	
C27	1	HSS4X4X3/16	12'-7 1/8"	111	GREY PRIMER A500-GR.B	GC NAME		
p36	1	FB1/4"X4"	0'-4"	1	A36	DRAWN BY	NSP	JOB No.
TOTAL WEIGHT THIS DRAWING				112		DATE DRAWN		DRG No.
								C27

GRID LOCATION	BOTTOM ELEVATION
8.3/G.6	-6"1/2



ONE - COLUMN - C28

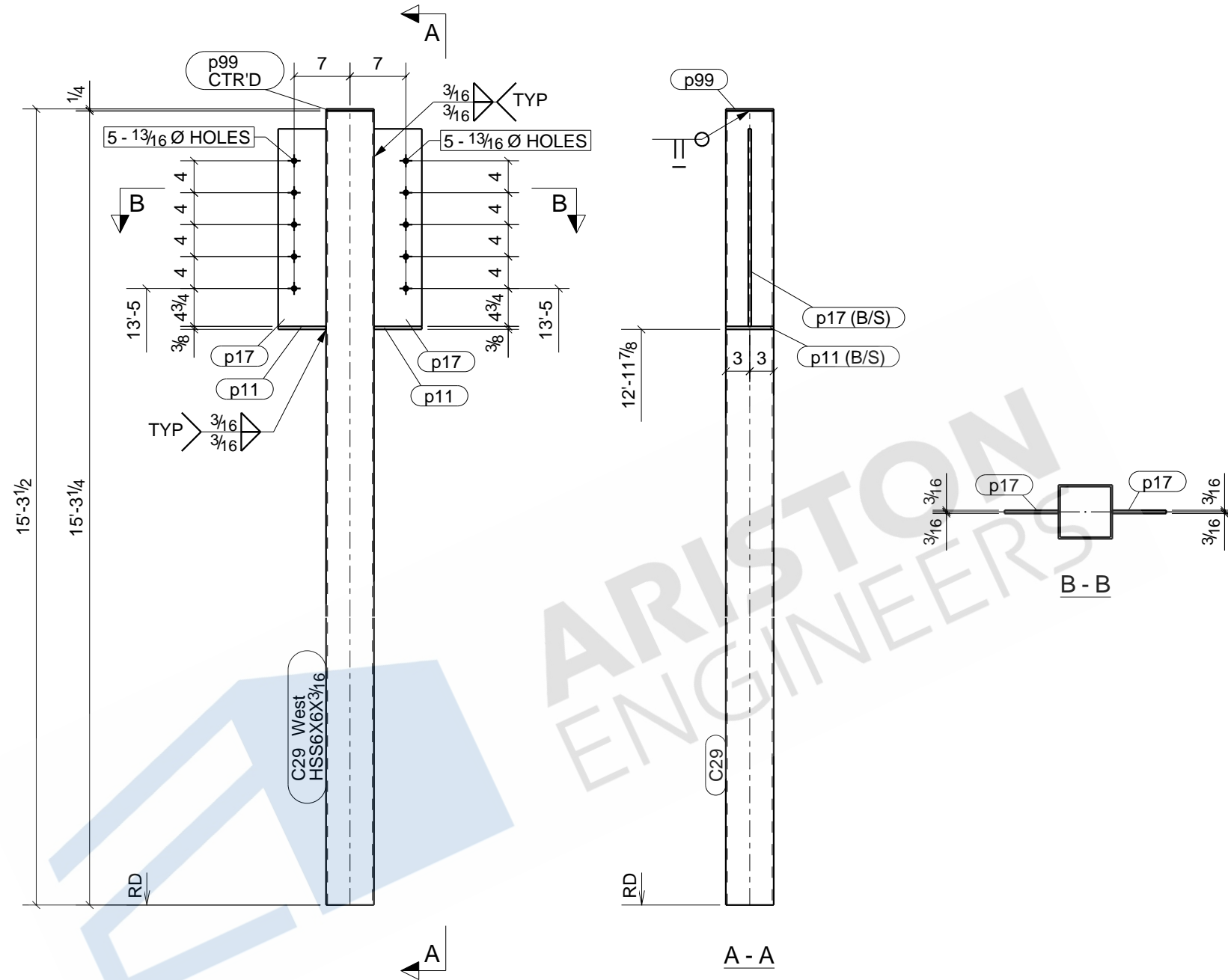
BILL OF MATERIAL

MARK	QTY	DESCRIPTION	LENGTH	WEIGHT	REMARKS
C28	1	COLUMN			SQ-2
C28	1	HSS6X6X3/8	9'-1 1/2"	235	GREY PRIMER A500-GR.B
p97	1	FB1/2"X6"	0'-6"	5	A36
TOTAL WEIGHT THIS DRAWING				240	

REV	DESCRIPTION	DATE

DESCRIPTION	COLUMN
PROJECT NAME	NEW ANNEX BUILDING
GC NAME	
DRAWN BY	NSP
DATE DRAWN	
JOB No.	
DRG No.	C28

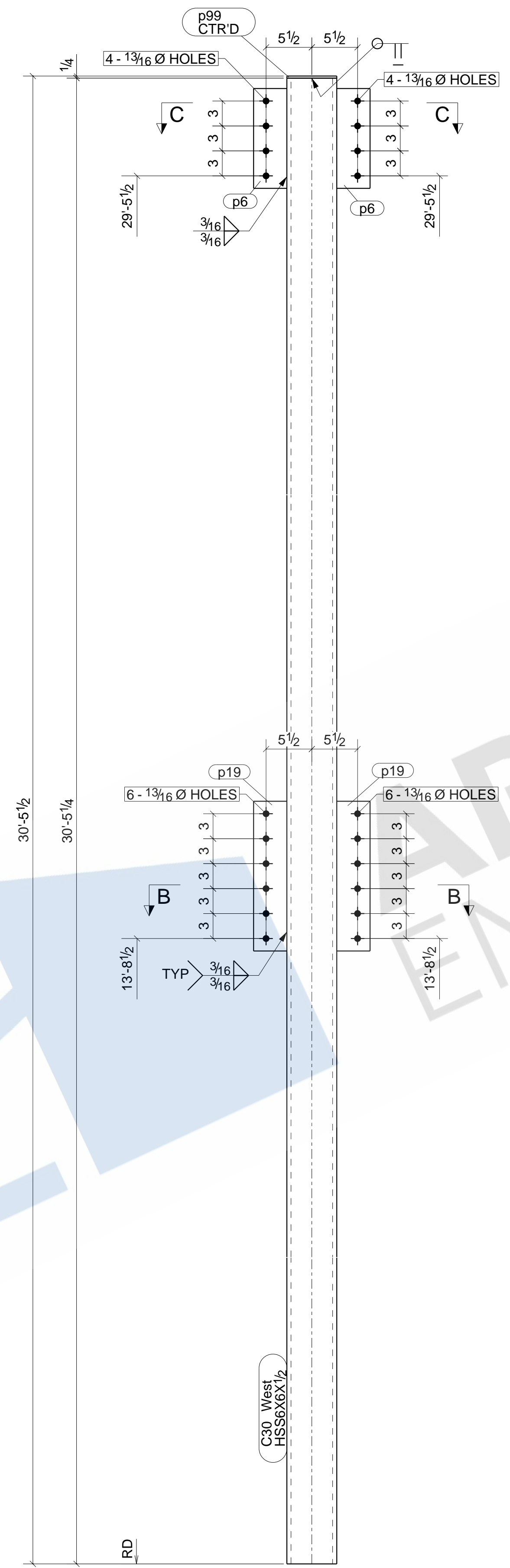
GRID LOCATION	BOTTOM ELEVATION
8.4/C	-6"1/2



ONE - COLUMN - C29

BILL OF MATERIAL

BILL OF MATERIAL						REV	DESCRIPTION	DATE
MARK	QTY	DESCRIPTION	LENGTH	WEIGHT	REMARKS			
C29	1	COLUMN			SQ-2			
C29	1	HSS6X6X3/16	15'-3 1/4"	207	GREY PRIMER A500-GR.B	DESCRIPTION	COLUMN	
p11	2	FB3/8"X6"	0'-6"	8	A36	PROJECT NAME	NEW ANNEX BUILDING	
p17	2	FB3/8"X6"	2'-0 3/4"	32	A36	GC NAME		
p99	1	FB1/4"X6"	0'-6"	3	A36	DRAWN BY	NSP	JOB No.
TOTAL WEIGHT THIS DRAWING				249		DATE DRAWN		DRG No.
								C29

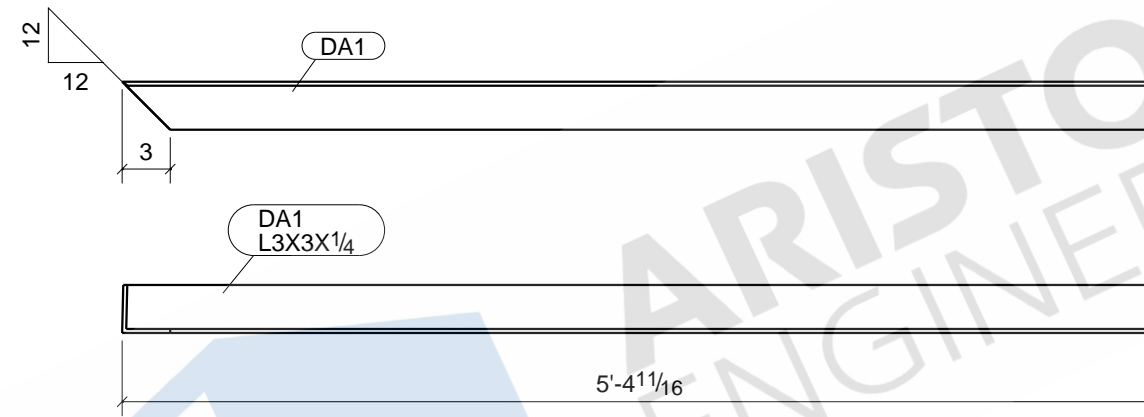


ONE - COLUMN - C30

BILL OF MATERIAL					
MARK	QTY	DESCRIPTION	LENGTH	WEIGHT	REMARKS
C30	1	COLUMN			SQ-2
C30	1	HSS6x6x1/2	30'-5 1/4"	1009	GREY PRIMER A500-GR.B
p6	2	FB3/8"x4"	1'-0"	10	A36
p19	2	FB3/8"x4"	1'-6"	15	A36
p99	1	FB1/4"x6"	0'-6"	3	A36
TOTAL WEIGHT THIS DRAWING				1037	

REV	DESCRIPTION	DATE

DESCRIPTION	COLUMN
PROJECT NAME	NEW ANNEX BUILDING
GC NAME	
DRAWN BY	NSP
DATE DRAWN	
JOB No.	
DRG No.	C30

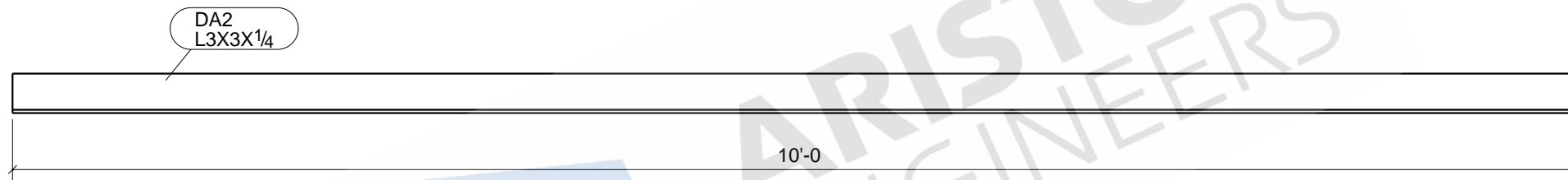


ONE - DECK ANGLE - DA1

BILL OF MATERIAL

MARK	QTY	DESCRIPTION	LENGTH	WEIGHT	REMARKS
DA1	1	DECK ANGLE			SQ-1/BEV-1
DA1	1	L3X3X1/4	5'-4 11/16"	26	GREY PRIMER A36
TOTAL WEIGHT THIS DRAWING				26	

REV	DESCRIPTION	DATE
DESCRIPTION		DECK ANGLE
PROJECT NAME		NEW ANNEX BUILDING
GC NAME		
DRAWN BY	NSP	JOB No.
DATE DRAWN		DRG No.
		DA1



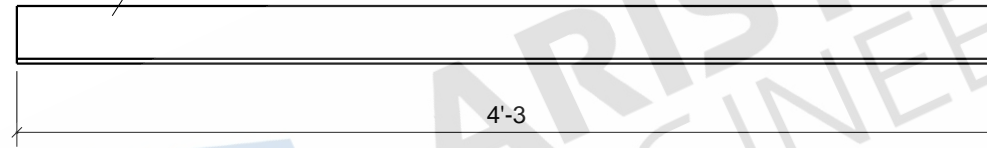
13 - DECK ANGLES - DA2

BILL OF MATERIAL

MARK	QTY	DESCRIPTION	LENGTH	WEIGHT	REMARKS
DA2	13	DECK ANGLES			SQ-2
DA2	13	L3X3X1/4	10'-0"	637	GREY PRIMER A36
TOTAL WEIGHT THIS DRAWING				637	

REV	DESCRIPTION	DATE
DESCRIPTION		DECK ANGLE
PROJECT NAME		NEW ANNEX BUILDING
GC NAME		
DRAWN BY	NSP	JOB No.
DATE DRAWN		DRG No. DA2

DA3
L3X3X1/4

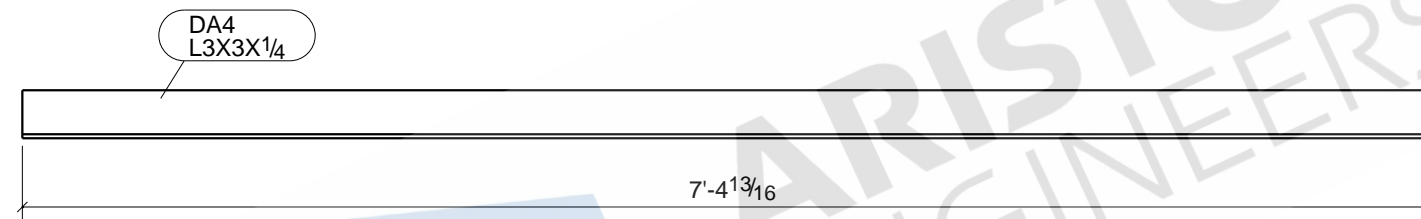


ONE - DECK ANGLE - DA3

BILL OF MATERIAL

MARK	QTY	DESCRIPTION	LENGTH	WEIGHT	REMARKS
DA3	1	DECK ANGLE			SQ-2
DA3	1	L3X3X1/4	4'-3"	21	GREY PRIMER A36
TOTAL WEIGHT THIS DRAWING				21	

REV	DESCRIPTION	DATE
DESCRIPTION		DECK ANGLE
PROJECT NAME		NEW ANNEX BUILDING
GC NAME		
DRAWN BY	NSP	JOB No.
DATE DRAWN		DRG No. DA3

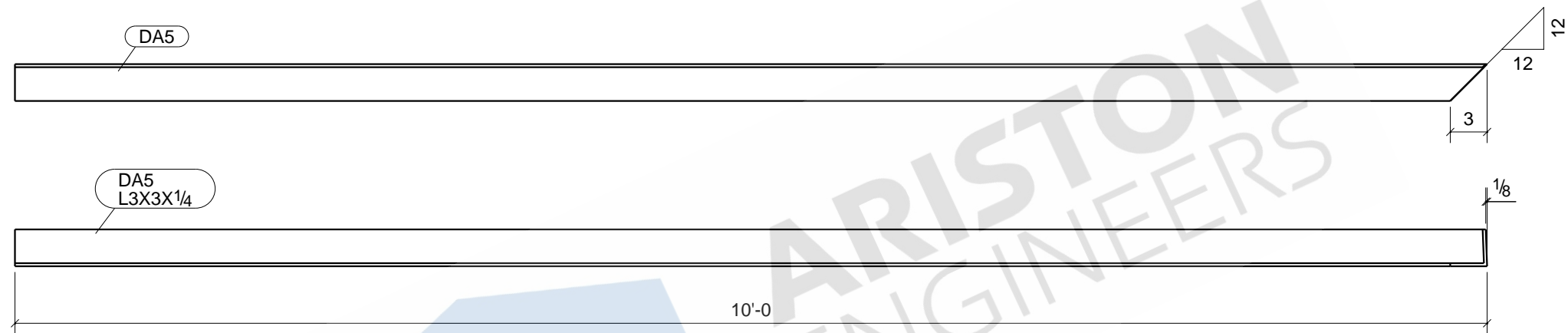


ONE - DECK ANGLE - DA4

BILL OF MATERIAL

MARK	QTY	DESCRIPTION	LENGTH	WEIGHT	REMARKS
DA4	1	DECK ANGLE			SQ-2
DA4	1	L3X3X1/4	7'-4 13/16"	36	GREY PRIMER A36
TOTAL WEIGHT THIS DRAWING				36	

REV	DESCRIPTION	DATE
DESCRIPTION		DECK ANGLE
PROJECT NAME		NEW ANNEX BUILDING
GC NAME		
DRAWN BY	NSP	JOB No.
DATE DRAWN		DRG No.
		DA4

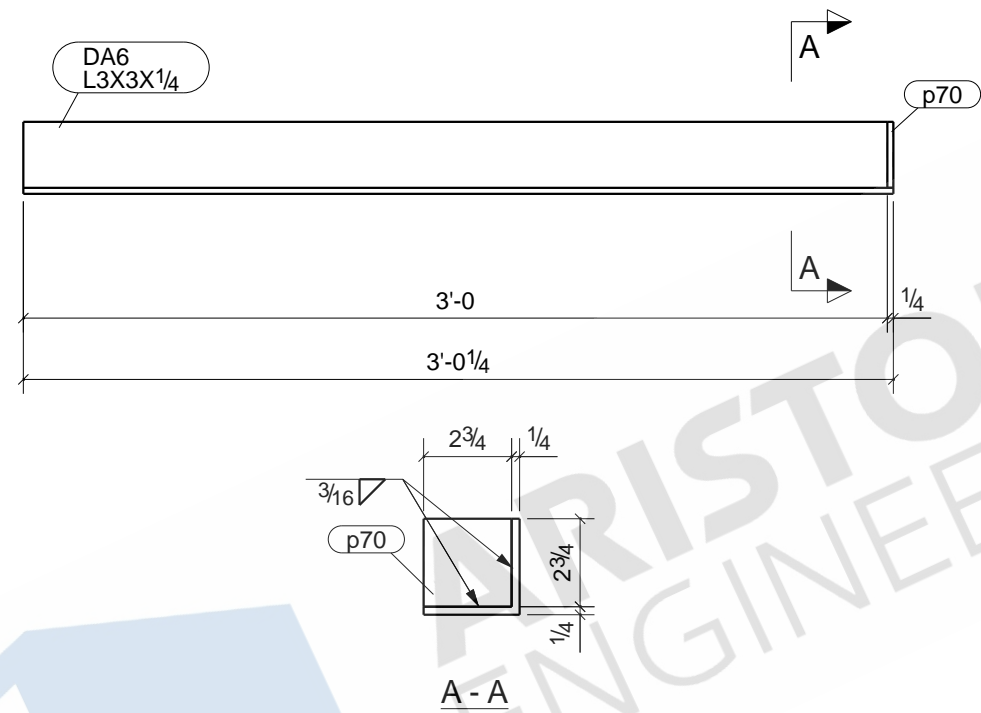


ONE - DECK ANGLE - DA5

BILL OF MATERIAL

MARK	QTY	DESCRIPTION	LENGTH	WEIGHT	REMARKS
DA5	1	DECK ANGLE			SQ-1/BEV-1
DA5	1	L3X3X1/4	10'-0"	49	GREY PRIMER A36
TOTAL WEIGHT THIS DRAWING				49	

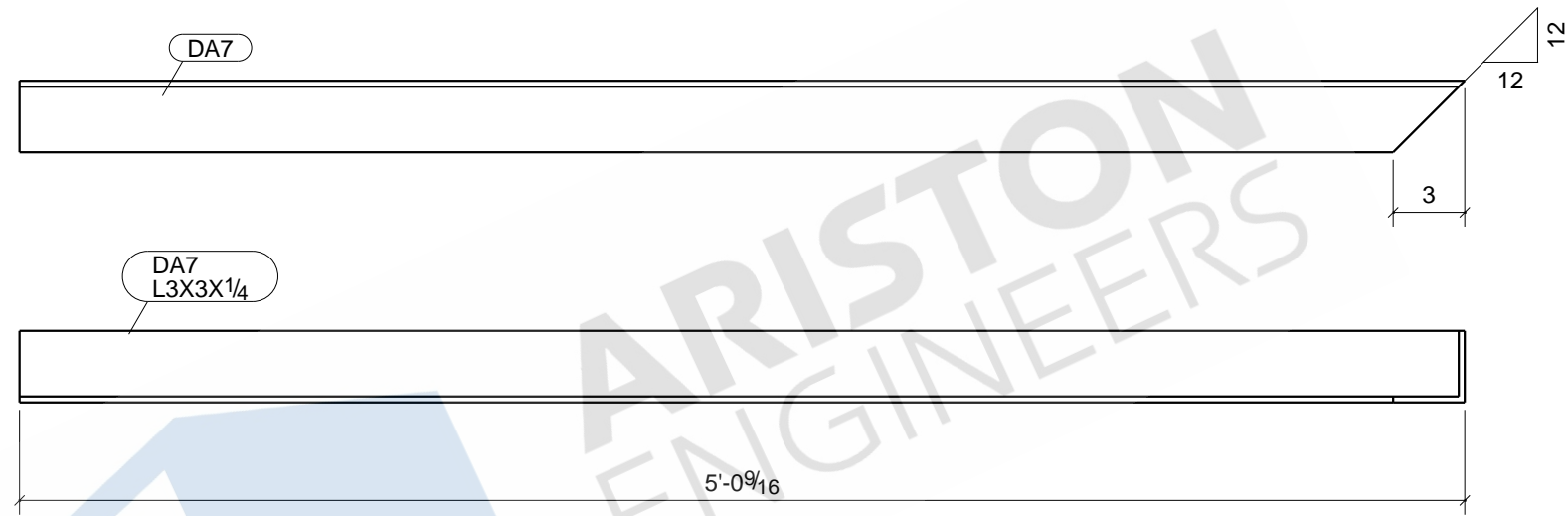
REV	DESCRIPTION	DATE
DESCRIPTION		DECK ANGLE
PROJECT NAME		NEW ANNEX BUILDING
GC NAME		
DRAWN BY	NSP	JOB No.
DATE DRAWN		DRG No. DA5



ONE - DECK ANGLE - DA6

BILL OF MATERIAL

BILL OF MATERIAL						REV	DESCRIPTION	DATE
MARK	QTY	DESCRIPTION	LENGTH	WEIGHT	REMARKS	DECK ANGLE		
DA6	1	DECK ANGLE			SQ-2	PROJECT NAME NEW ANNEX BUILDING		
DA6	1	L3X3X1/4	3'-0 1/4"	15	GREY PRIMER A36	GC NAME		
p70	1	FB1/4"X2 3/4"	0'-2 3/4"	1	A36	DRAWN BY	NSP	JOB No.
TOTAL WEIGHT THIS DRAWING				15		DATE DRAWN		DRG No. DA6

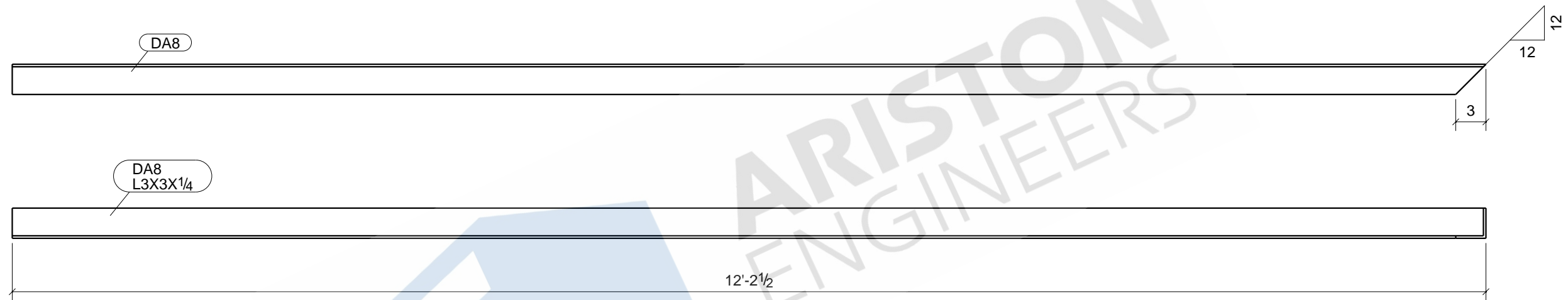


ONE - DECK ANGLE - DA7

BILL OF MATERIAL

MARK	QTY	DESCRIPTION	LENGTH	WEIGHT	REMARKS
DA7	1	DECK ANGLE			SQ-1/BEV-1
DA7	1	L3X3X1/4	5'-0 9/16"	25	GREY PRIMER A36
TOTAL WEIGHT THIS DRAWING				25	

REV	DESCRIPTION	DATE
DESCRIPTION		DECK ANGLE
PROJECT NAME		NEW ANNEX BUILDING
GC NAME		
DRAWN BY	NSP	JOB No.
DATE DRAWN		DRG No. DA7

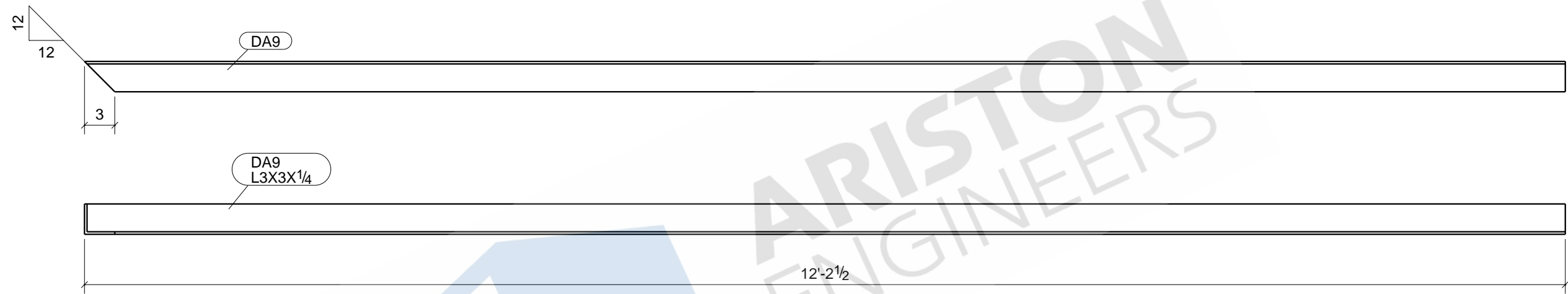


ONE - DECK ANGLE - DA8

BILL OF MATERIAL

MARK	QTY	DESCRIPTION	LENGTH	WEIGHT	REMARKS
DA8	1	DECK ANGLE			SQ-1/BEV-1
DA8	1	L3X3X1/4	12'-2 1/2"	60	GREY PRIMER A36
TOTAL WEIGHT THIS DRAWING				60	

REV	DESCRIPTION	DATE
DESCRIPTION		DECK ANGLE
PROJECT NAME		NEW ANNEX BUILDING
GC NAME		
DRAWN BY	NSP	JOB No.
DATE DRAWN		DRG No. DA8

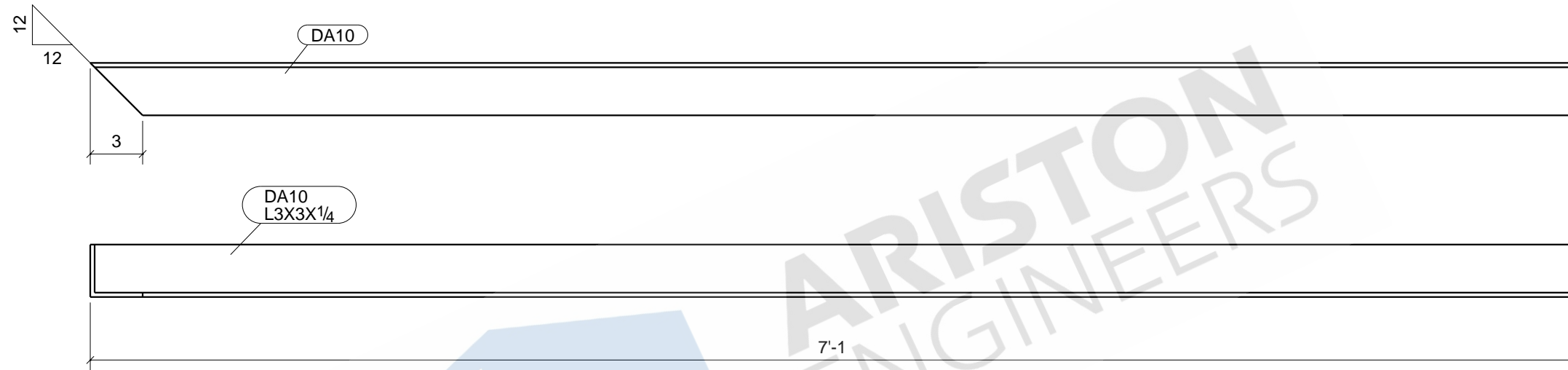


ONE - DECK ANGLE - DA9

BILL OF MATERIAL

MARK	QTY	DESCRIPTION	LENGTH	WEIGHT	REMARKS
DA9	1	DECK ANGLE			SQ-1/BEV-1
DA9	1	L3X3X1/4	12'-2 1/2"	60	GREY PRIMER A36
TOTAL WEIGHT THIS DRAWING				60	

REV	DESCRIPTION	DATE
DESCRIPTION		DECK ANGLE
PROJECT NAME		NEW ANNEX BUILDING
GC NAME		
DRAWN BY	NSP	JOB No.
DATE DRAWN		DRG No. DA9



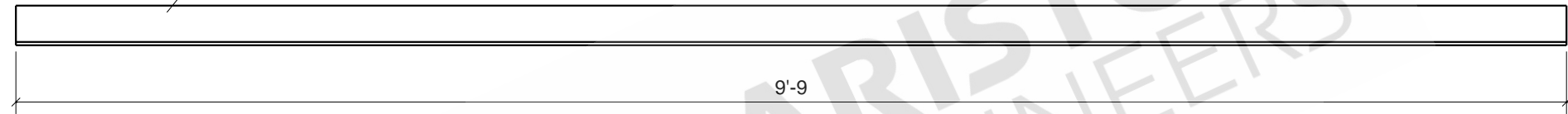
ONE - DECK ANGLE - DA10

BILL OF MATERIAL

MARK	QTY	DESCRIPTION	LENGTH	WEIGHT	REMARKS
DA10	1	DECK ANGLE			SQ-1/BEV-1
DA10	1	L3X3X1/4	7'-1"	35	GREY PRIMER A36
TOTAL WEIGHT THIS DRAWING				35	

REV	DESCRIPTION	DATE
DESCRIPTION		DECK ANGLE
PROJECT NAME		NEW ANNEX BUILDING
GC NAME		
DRAWN BY	NSP	JOB No.
DATE DRAWN		DRG No. DA10

DA11
L3X3X1/4



ARISTON
ENGINEERS

10 - DECK ANGLES - DA11

BILL OF MATERIAL

MARK	QTY	DESCRIPTION	LENGTH	WEIGHT	REMARKS
DA11	10	DECK ANGLES			SQ-2
DA11	10	L3X3X1/4	9'-9"	478	GREY PRIMER A36
TOTAL WEIGHT THIS DRAWING				478	

REV	DESCRIPTION	DATE
DESCRIPTION	DECK ANGLE	
PROJECT NAME	NEW ANNEX BUILDING	
GC NAME		
DRAWN BY	NSP	JOB No.
DATE DRAWN		DRG No. DA11

DA12
L3X3X1/4

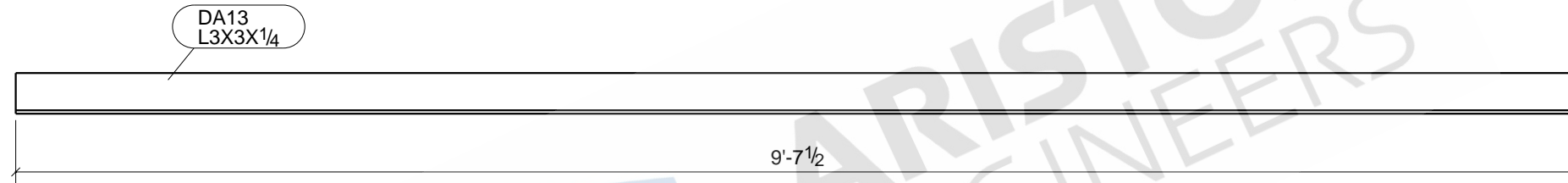
12'-2"

2 - DECK ANGLES - DA12

BILL OF MATERIAL

MARK	QTY	DESCRIPTION	LENGTH	WEIGHT	REMARKS
DA12	2	DECK ANGLES			SQ-2
DA12	2	L3X3X1/4	12'-2"	119	GREY PRIMER A36
TOTAL WEIGHT THIS DRAWING				119	

REV	DESCRIPTION	DATE
DESCRIPTION		DECK ANGLE
PROJECT NAME		NEW ANNEX BUILDING
GC NAME		
DRAWN BY	NSP	JOB No.
DATE DRAWN		DRG No. DA12



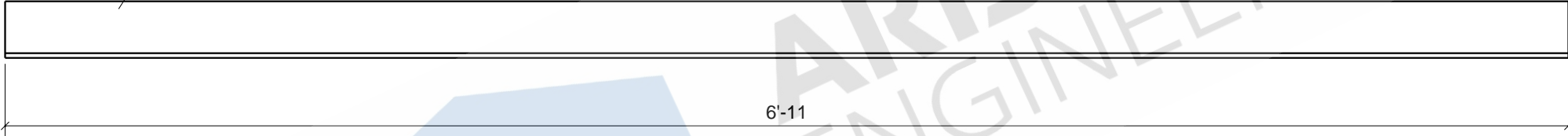
2 - DECK ANGLES - DA13

BILL OF MATERIAL

MARK	QTY	DESCRIPTION	LENGTH	WEIGHT	REMARKS
DA13	2	DECK ANGLES			SQ-2
DA13	2	L3X3X1/4	9'-7 1/2"	94	GREY PRIMER A36
TOTAL WEIGHT THIS DRAWING				94	

REV	DESCRIPTION	DATE
DESCRIPTION		DECK ANGLE
PROJECT NAME		NEW ANNEX BUILDING
GC NAME		
DRAWN BY	NSP	JOB No.
DATE DRAWN		DRG No. DA13

DA14
L3X3X1/4



6'-11"

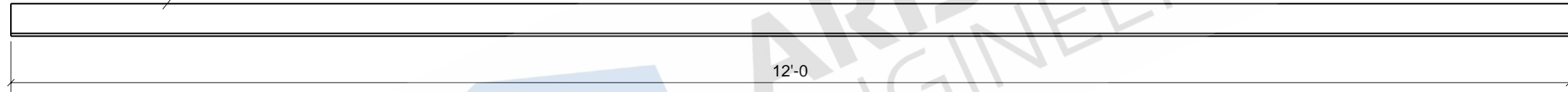
ONE - DECK ANGLE - DA14

BILL OF MATERIAL

MARK	QTY	DESCRIPTION	LENGTH	WEIGHT	REMARKS
DA14	1	DECK ANGLE			SQ-2
DA14	1	L3X3X1/4	6'-11"	34	GREY PRIMER A36
TOTAL WEIGHT THIS DRAWING				34	

REV	DESCRIPTION	DATE
DESCRIPTION		DECK ANGLE
PROJECT NAME		NEW ANNEX BUILDING
GC NAME		
DRAWN BY	NSP	JOB No.
DATE DRAWN		DRG No. DA14

DA15
L3X3X1/4



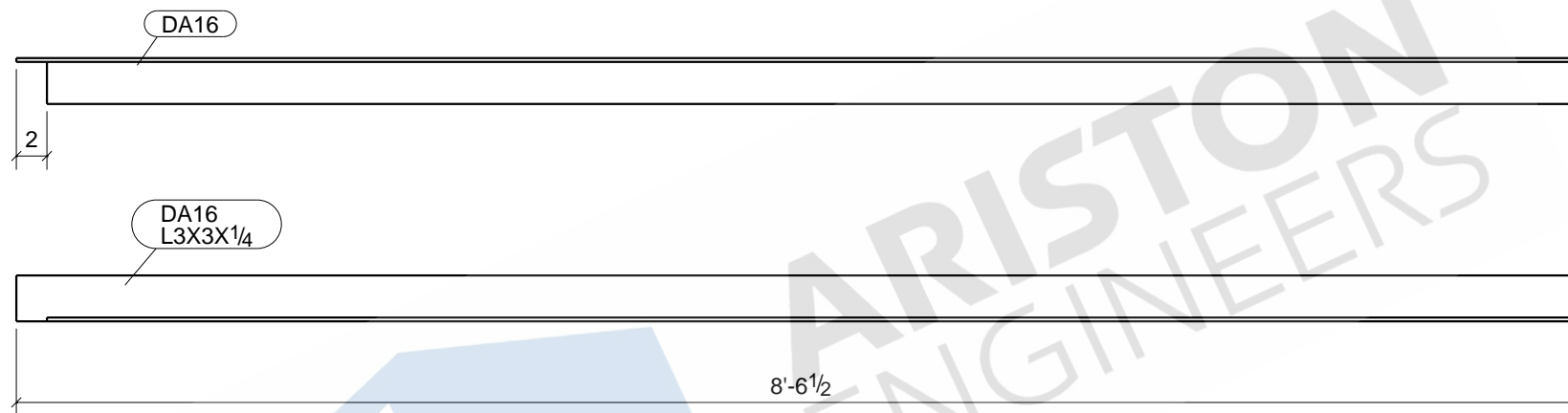
12'-0

12 - DECK ANGLES - DA15

BILL OF MATERIAL

MARK	QTY	DESCRIPTION	LENGTH	WEIGHT	REMARKS
DA15	12	DECK ANGLES			SQ-2
DA15	12	L3X3X1/4	12'-0"	706	GREY PRIMER A36
TOTAL WEIGHT THIS DRAWING				706	

REV	DESCRIPTION	DATE
DESCRIPTION		DECK ANGLE
PROJECT NAME		NEW ANNEX BUILDING
GC NAME		
DRAWN BY	NSP	JOB No.
DATE DRAWN		DRG No. DA15

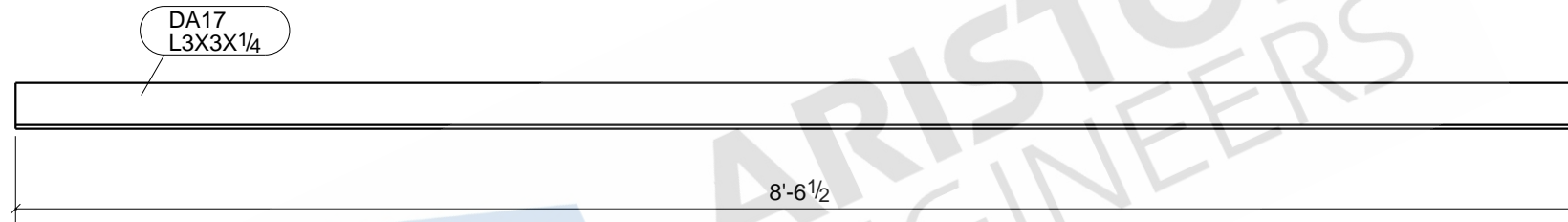


ONE - DECK ANGLE - DA16

BILL OF MATERIAL

MARK	QTY	DESCRIPTION	LENGTH	WEIGHT	REMARKS
DA16	1	DECK ANGLE			SQ-2
DA16	1	L3X3X1/4	8'-6 1/2"	42	GREY PRIMER A36
TOTAL WEIGHT THIS DRAWING				42	

REV	DESCRIPTION	DATE
DESCRIPTION		DECK ANGLE
PROJECT NAME		NEW ANNEX BUILDING
GC NAME		
DRAWN BY	NSP	JOB No.
DATE DRAWN		DRG No. DA16

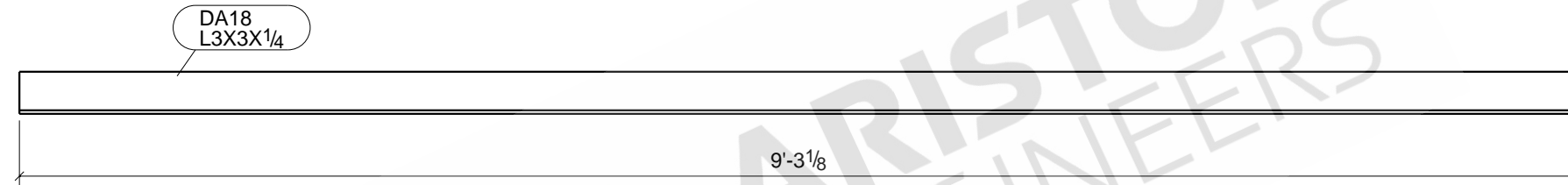


ONE - DECK ANGLE - DA17

BILL OF MATERIAL

MARK	QTY	DESCRIPTION	LENGTH	WEIGHT	REMARKS
DA17	1	DECK ANGLE			SQ-2
DA17	1	L3X3X1/4	8'-6 1/2"	42	GREY PRIMER A36
TOTAL WEIGHT THIS DRAWING				42	

REV	DESCRIPTION	DATE
DESCRIPTION		DECK ANGLE
PROJECT NAME		NEW ANNEX BUILDING
GC NAME		
DRAWN BY	NSP	JOB No.
DATE DRAWN		DRG No. DA17

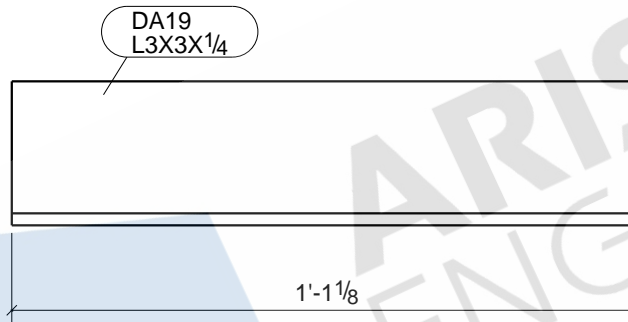


ONE - DECK ANGLE - DA18

BILL OF MATERIAL

MARK	QTY	DESCRIPTION	LENGTH	WEIGHT	REMARKS
DA18	1	DECK ANGLE			SQ-2
DA18	1	L3X3X1/4	9'-3 1/8"	45	GREY PRIMER A36
TOTAL WEIGHT THIS DRAWING				45	

REV	DESCRIPTION	DATE
DESCRIPTION		DECK ANGLE
PROJECT NAME		NEW ANNEX BUILDING
GC NAME		
DRAWN BY	NSP	JOB No.
DATE DRAWN		DRG No. DA18



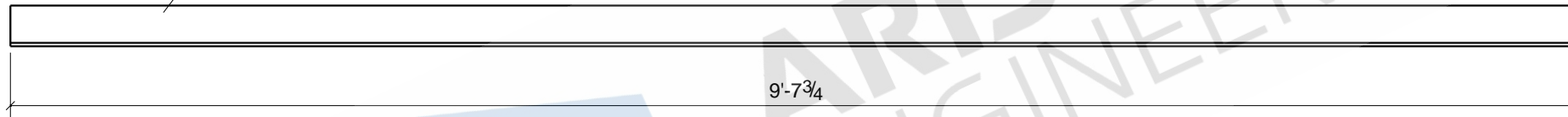
ONE - DECK ANGLE - DA19

BILL OF MATERIAL

MARK	QTY	DESCRIPTION	LENGTH	WEIGHT	REMARKS
DA19	1	DECK ANGLE			SQ-2
DA19	1	L3X3X1/4	1'-1 1/8"	5	GREY PRIMER A36
TOTAL WEIGHT THIS DRAWING				5	

REV	DESCRIPTION	DATE
DESCRIPTION		DECK ANGLE
PROJECT NAME		NEW ANNEX BUILDING
GC NAME		
DRAWN BY	NSP	JOB No.
DATE DRAWN		DRG No. DA19

DA20
L3X3X1/4



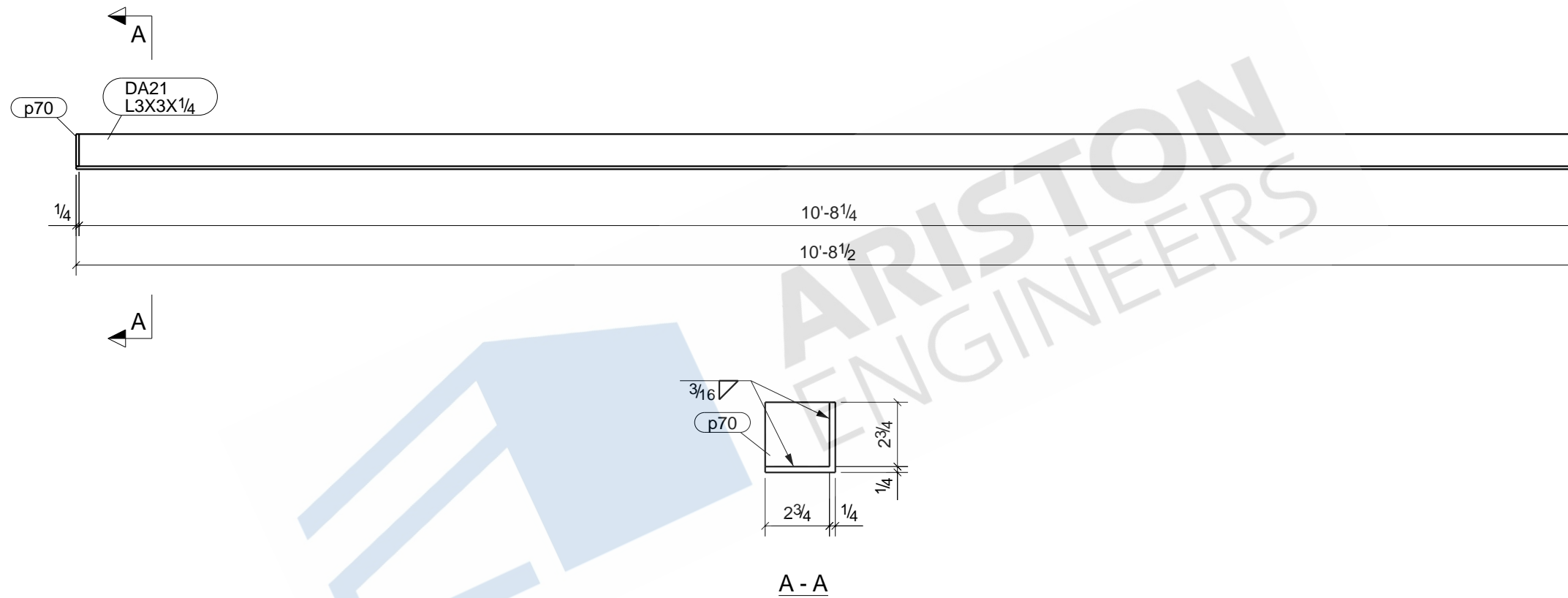
9'-7 3/4"

2 - DECK ANGLES - DA20

BILL OF MATERIAL

MARK	QTY	DESCRIPTION	LENGTH	WEIGHT	REMARKS
DA20	2	DECK ANGLES			SQ-2
DA20	2	L3X3X1/4	9'-7 3/4"	95	GREY PRIMER A36
TOTAL WEIGHT THIS DRAWING				95	

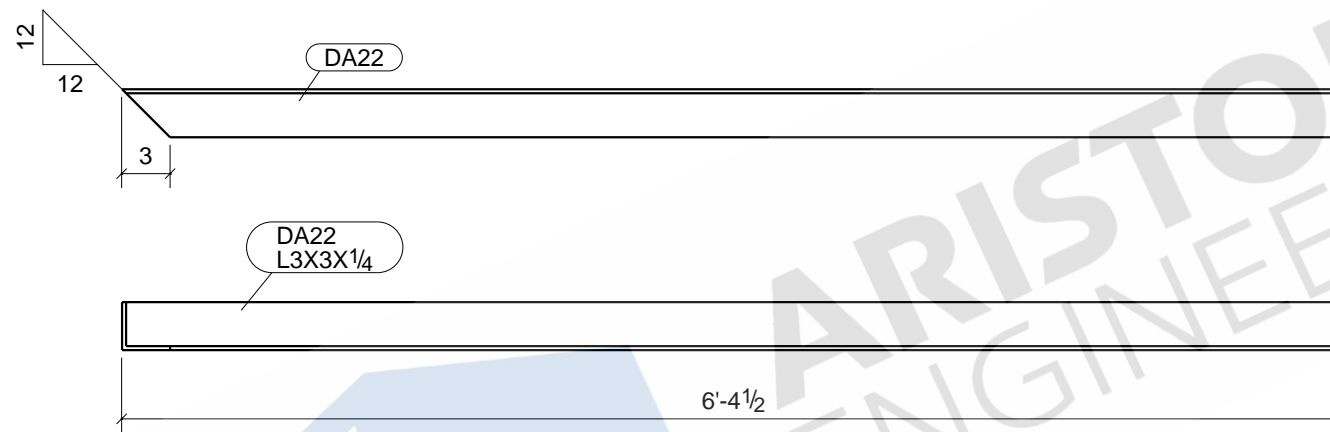
REV	DESCRIPTION	DATE
	DESCRIPTION	DECK ANGLE
	PROJECT NAME	NEW ANNEX BUILDING
	GC NAME	
	DRAWN BY	NSP
	DATE DRAWN	
	JOB No.	DRG No.
		DA20



2 - DECK ANGLES - DA21

BILL OF MATERIAL

BILL OF MATERIAL						REV	DESCRIPTION	DATE
MARK	QTY	DESCRIPTION	LENGTH	WEIGHT	REMARKS	DESCRIPTION	DECK ANGLE	
DA21	2	DECK ANGLES			SQ-2	PROJECT NAME	NEW ANNEX BUILDING	
DA21	2	L3X3X1/4	10'-8 1/2"	105	GREY PRIMER A36	GC NAME		
p70	2	FB1/4"X2 3/4"	0'-2 3/4"	1	A36	DRAWN BY	NSP	JOB No.
TOTAL WEIGHT THIS DRAWING				106		DATE DRAWN		DRG No. DA21

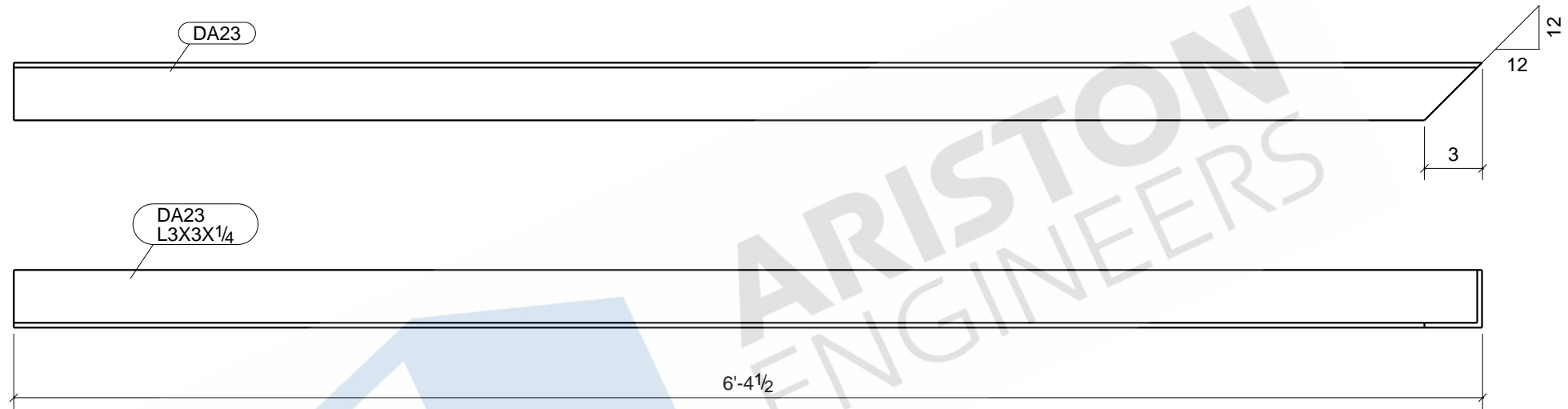


ONE - DECK ANGLE - DA22

BILL OF MATERIAL

MARK	QTY	DESCRIPTION	LENGTH	WEIGHT	REMARKS
DA22	1	DECK ANGLE			SQ-1/BEV-1
DA22	1	L3X3X1/4	6'-4 1/2"	31	GREY PRIMER A36
TOTAL WEIGHT THIS DRAWING				31	

REV	DESCRIPTION	DATE
DESCRIPTION		DECK ANGLE
PROJECT NAME		NEW ANNEX BUILDING
GC NAME		
DRAWN BY	NSP	JOB No.
DATE DRAWN		DRG No. DA22



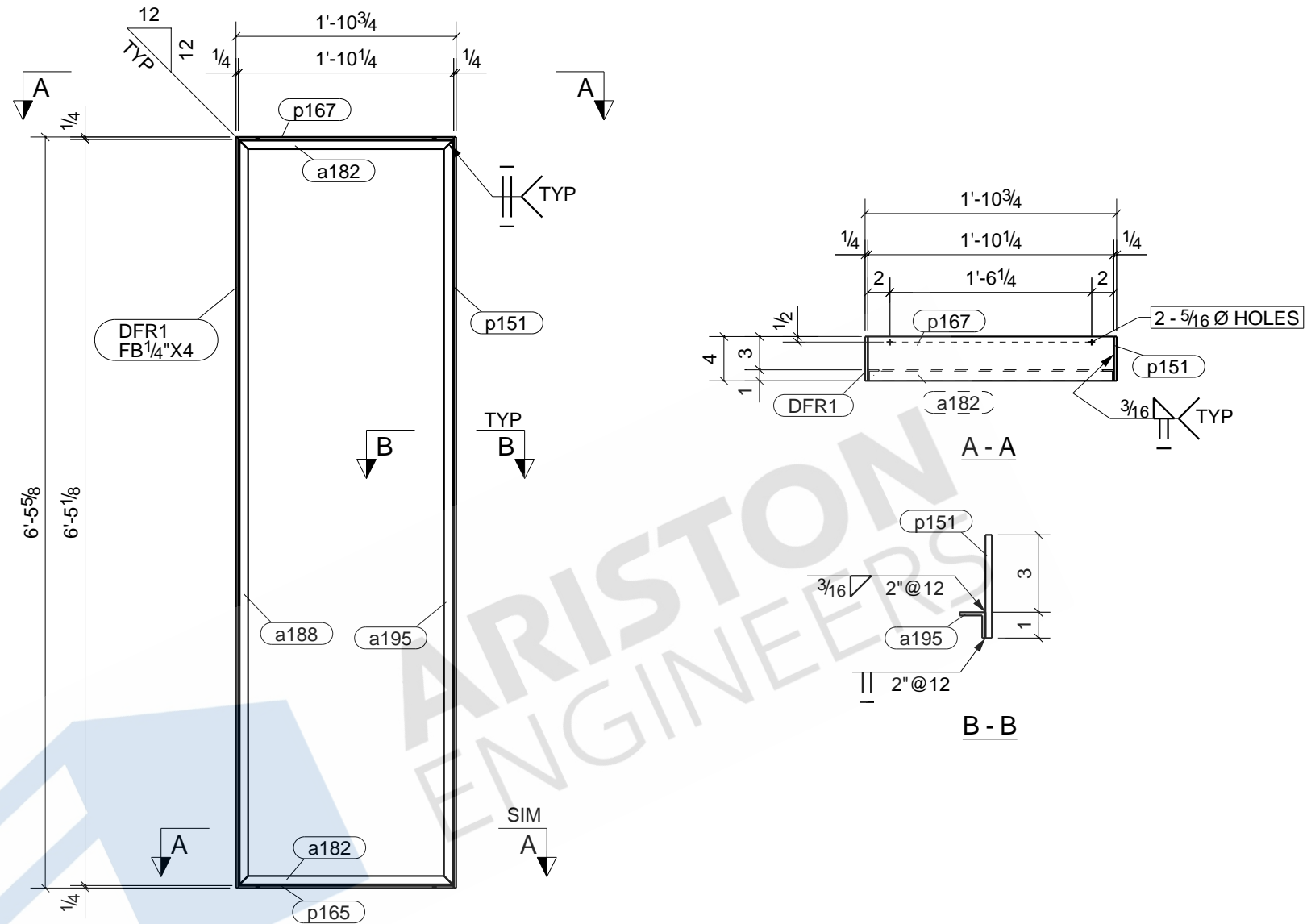
ONE - DECK ANGLE - DA23

BILL OF MATERIAL

MARK	QTY	DESCRIPTION	LENGTH	WEIGHT	REMARKS
DA23	1	DECK ANGLE			SQ-1/BEV-1
DA23	1	L3X3X1/4	6'-4 1/2"	31	GREY PRIMER A36
TOTAL WEIGHT THIS DRAWING				31	

REV	DESCRIPTION	DATE
DESCRIPTION		DECK ANGLE
PROJECT NAME		NEW ANNEX BUILDING
GC NAME		
DRAWN BY	NSP	JOB No.
DATE DRAWN		DRG No. DA23

GRID LOCATION	BOTTOM ELEVATION
8.4/G.6	2'-1"3/8
8.2/G.6	2'-1"3/8

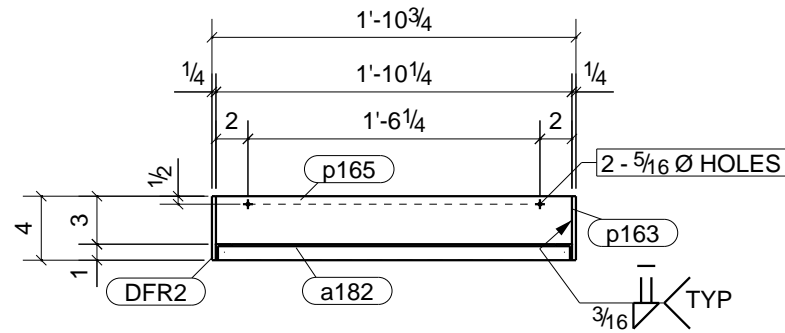


2 - DISPLAY FRAMES - DFR1

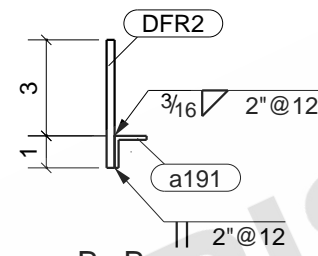
BILL OF MATERIAL

MARK	QTY	DESCRIPTION	LENGTH	WEIGHT	REMARKS	REV	DESCRIPTION	DATE
DFR1	2	DISPLAY FRAMES			SQ-2			
DFR1	2	FB1/4"X4"	6'-5 5/8"	44	PAINT "P2" A36			
a182	4	L1X1X1/8	1'-10 1/4"	6	A36			
a188	2	L1X1X1/8	6'-5 1/8"	10	A36			
a195	2	L1X1X1/8	6'-5 1/8"	10	A36	DESCRIPTION	DISPLAY FRAME	
p151	2	FB1/4"X4"	6'-5 5/8"	44	A36	PROJECT NAME	NEW ANNEX BUILDING	
p165	2	FB1/4"X4"	1'-10 1/4"	13	A36	GC NAME		
p167	2	FB1/4"X4"	1'-10 1/4"	13	A36	DRAWN BY	ASM	JOB No.
TOTAL WEIGHT THIS DRAWING				140		DATE DRAWN		DRG No. DFR1

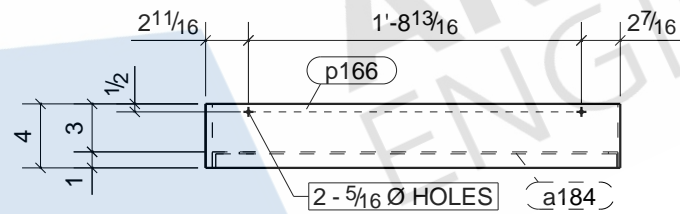
GRID LOCATION	BOTTOM ELEVATION
8.4-9/G.	2'-1"3/8



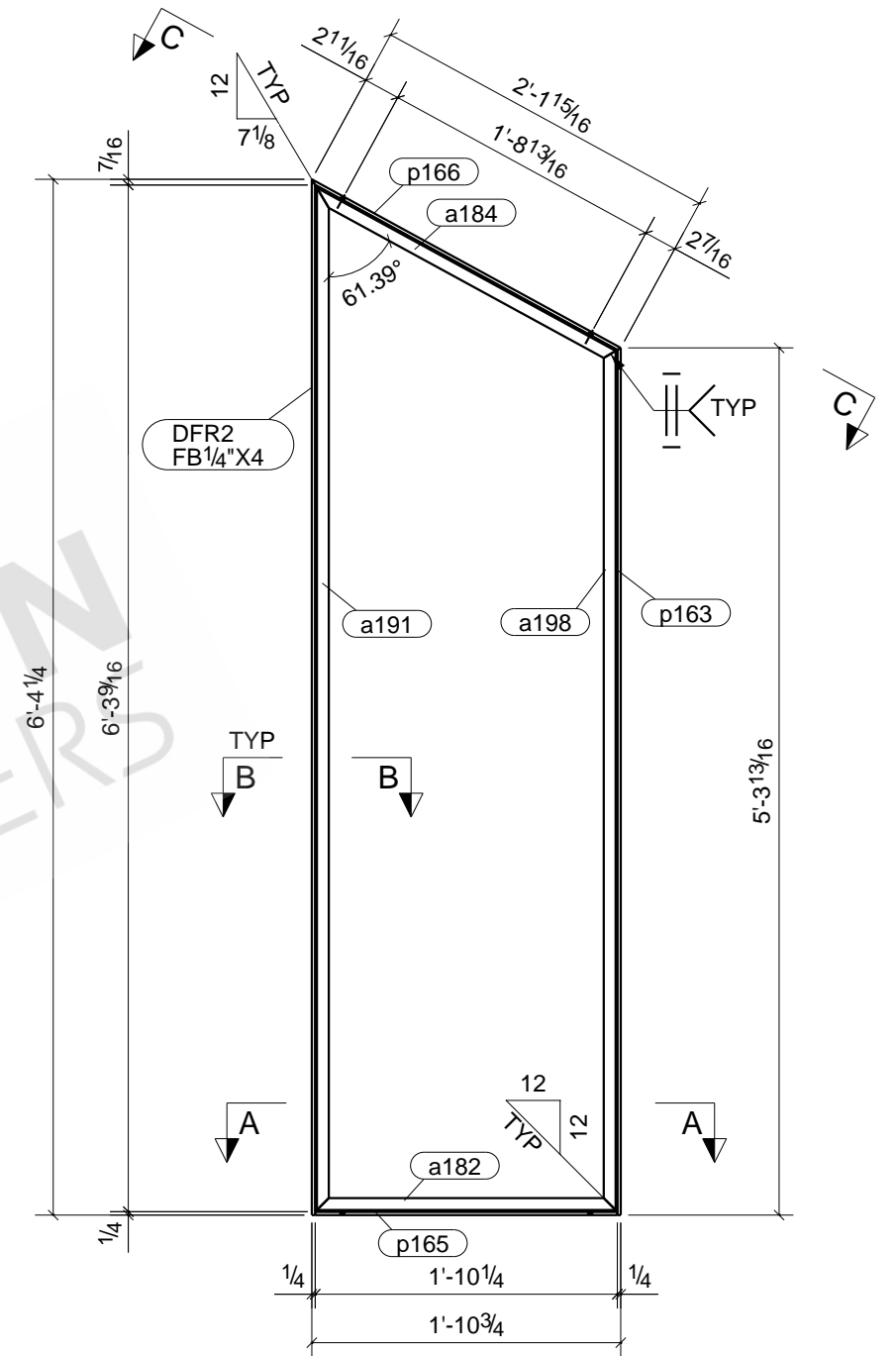
A - A



B - B



C - C



ONE - DISPLAY FRAME - DFR2

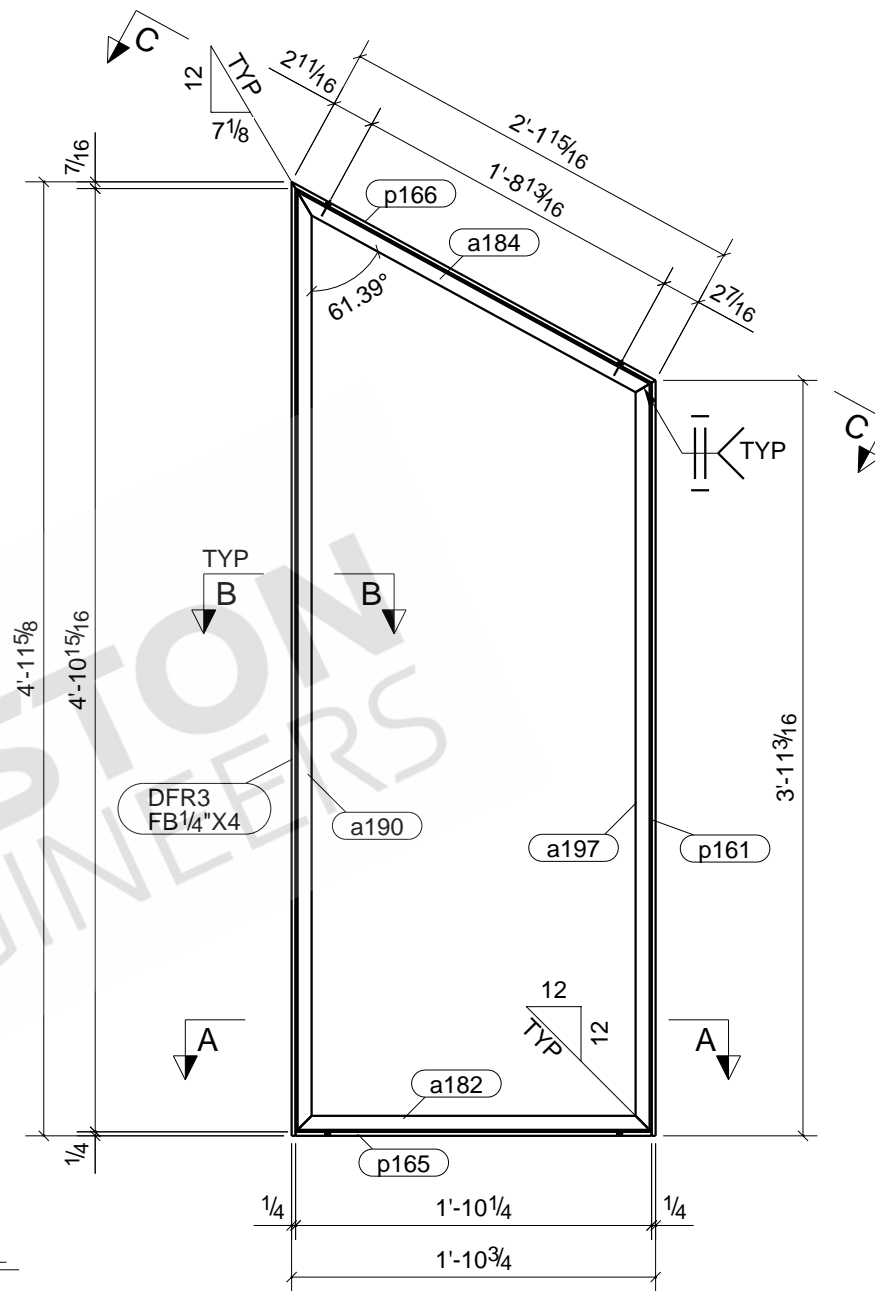
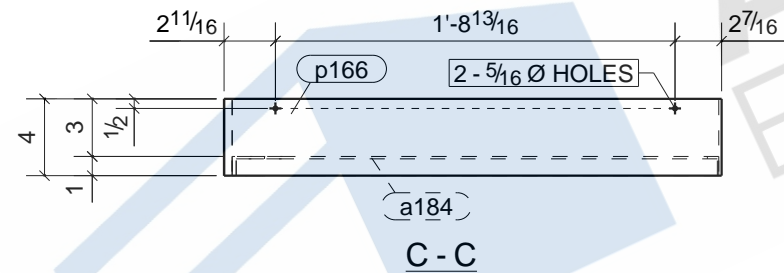
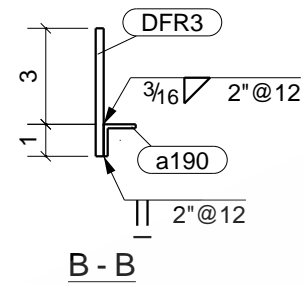
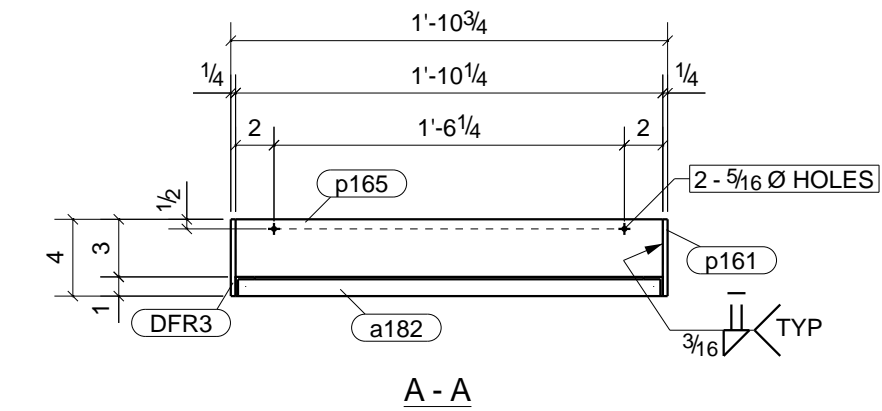
BILL OF MATERIAL

MARK	QTY	DESCRIPTION	LENGTH	WEIGHT	REMARKS
DFR2	1	DISPLAY FRAME			SQ-1/BEV-1
DFR2	1	FB1/4"X4"	6'-4 1/4"	22	PAINT "P2" A36
a182	1	L1X1X1/8	1'-10 1/4"	1	A36
a184	1	L1X1X1/8	2'-1 3/8"	2	A36
a191	1	L1X1X1/8	6'-3 9/16"	5	A36
a198	1	L1X1X1/8	5'-3 7/16"	4	A36
p163	1	FB1/4"X4"	5'-3 13/16"	18	A36
p165	1	FB1/4"X4"	1'-10 1/4"	6	A36
p166	1	FB1/4"X4"	2'-1 15/16"	7	A36
TOTAL WEIGHT THIS DRAWING				66	

REV	DESCRIPTION	DATE

DESCRIPTION	DISPLAY FRAME
PROJECT NAME	NEW ANNEX BUILDING
GC NAME	
DRAWN BY	ASM
DATE DRAWN	
JOB No.	
DRG No.	DFR2

GRID LOCATION	BOTTOM ELEVATION
8.4-9/G.	2'-1"3/8



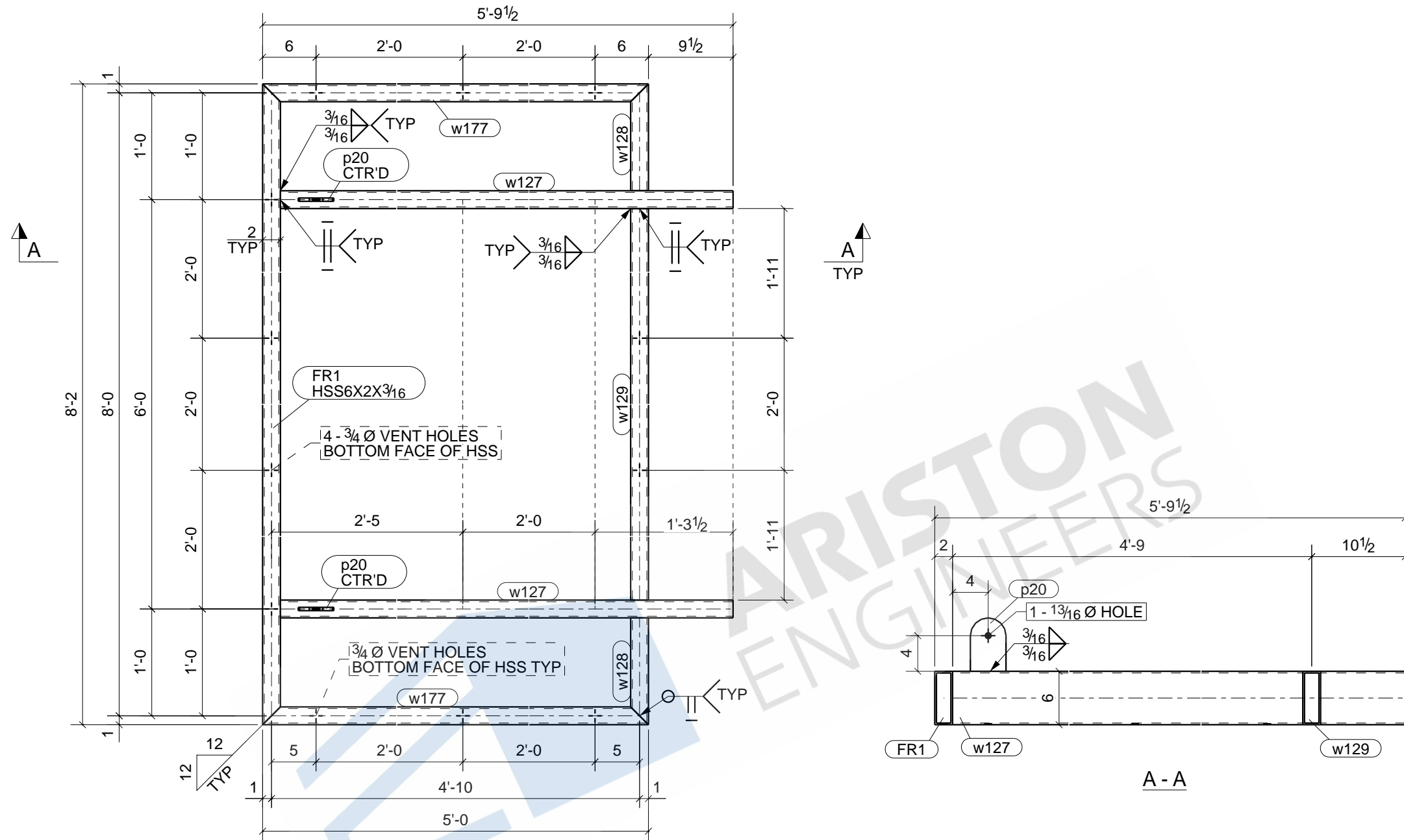
ONE - DISPLAY FRAME - DFR3

BILL OF MATERIAL

MARK	QTY	DESCRIPTION	LENGTH	WEIGHT	REMARKS
DFR3	1	DISPLAY FRAME			SQ-1/BEV-1
DFR3	1	FB1/4"X4"	4'-11 5/8"	17	PAINT "P2" A36
a182	1	L1X1X1/8	1'-10 1/4"	1	A36
a184	1	L1X1X1/8	2'-1 3/8"	2	A36
a190	1	L1X1X1/8	4'-10 15/16"	4	A36
a197	1	L1X1X1/8	3'-10 13/16"	3	A36
p161	1	FB1/4"X4"	3'-11 3/16"	13	A36
p165	1	FB1/4"X4"	1'-10 1/4"	6	A36
p166	1	FB1/4"X4"	2'-1 15/16"	7	A36
TOTAL WEIGHT THIS DRAWING				54	

REV	DESCRIPTION	DATE

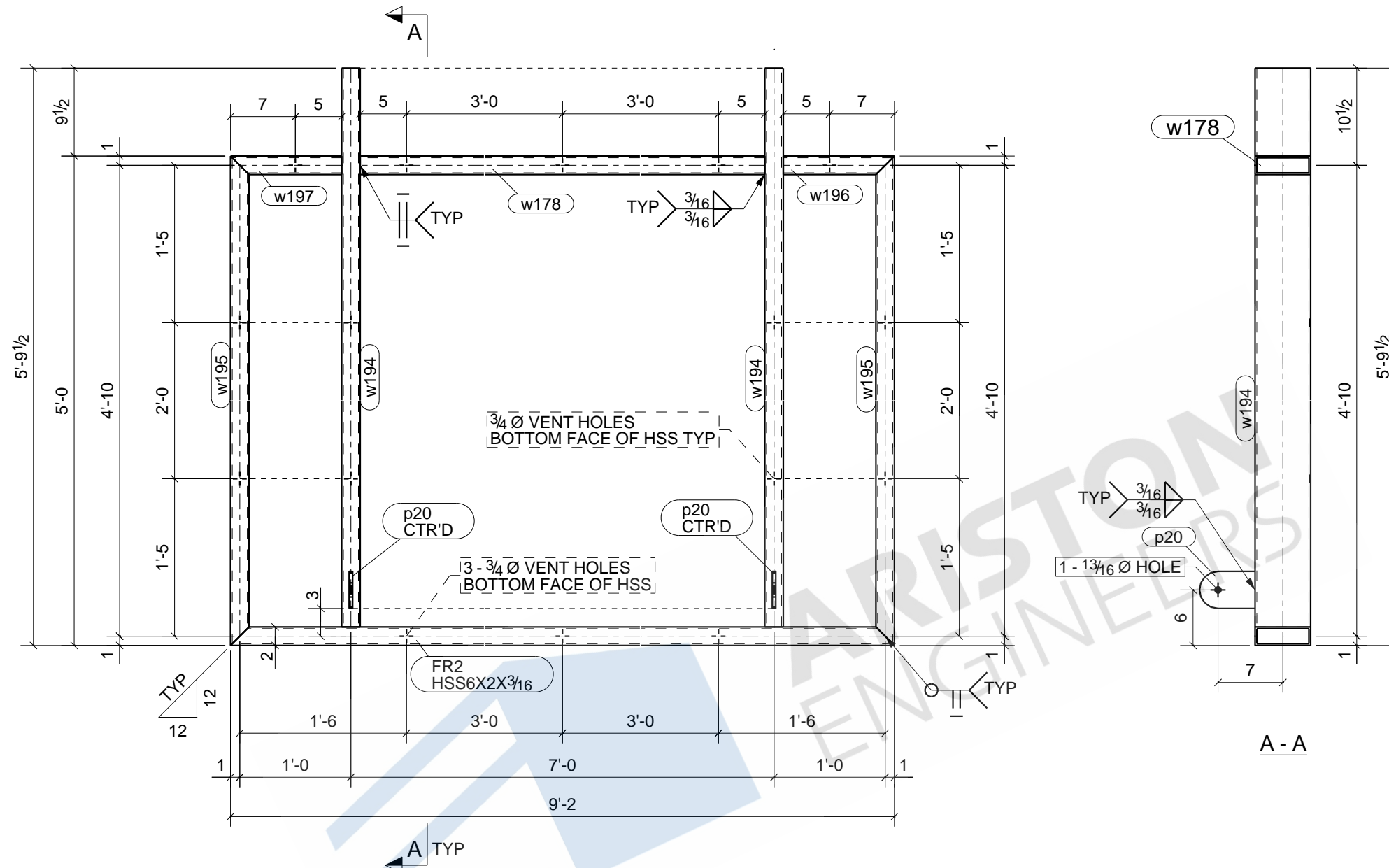
DESCRIPTION	DISPLAY FRAME		
PROJECT NAME	NEW ANNEX BUILDING		
GC NAME			
DRAWN BY	ASM	JOB No.	DRG No.
DATE DRAWN			DFR3



ONE - FRAME - FR1

BILL OF MATERIAL

MARK	QTY	DESCRIPTION	LENGTH	WEIGHT	REMARKS	REV	DESCRIPTION	DATE
FR1	1	FRAME			BEV-2			
FR1	1	HSS6X2X3/16	8'-2"	72	GALVANIZED A500-GR.B			
p20	2	FB3/8"X4"	0'-6"	5	GALVANIZED A36			
w127	2	HSS6X2X3/16	5'-7 1/2"	99	GALVANIZED A500-GR.B	DESCRIPTION	FRAME	
w128	2	HSS6X2X3/16	1'-0"	18	GALVANIZED A500-GR.B	PROJECT NAME	NEW ANNEX BUILDING	
w129	1	HSS6X2X3/16	5'-10"	51	GALVANIZED A500-GR.B	GC NAME		
w177	2	HSS6X2X3/16	5'-0"	88	GALVANIZED A500-GR.B	DRAWN BY	NSP	JOB No.
TOTAL WEIGHT THIS DRAWING				332		DATE DRAWN		DRG No. FR1

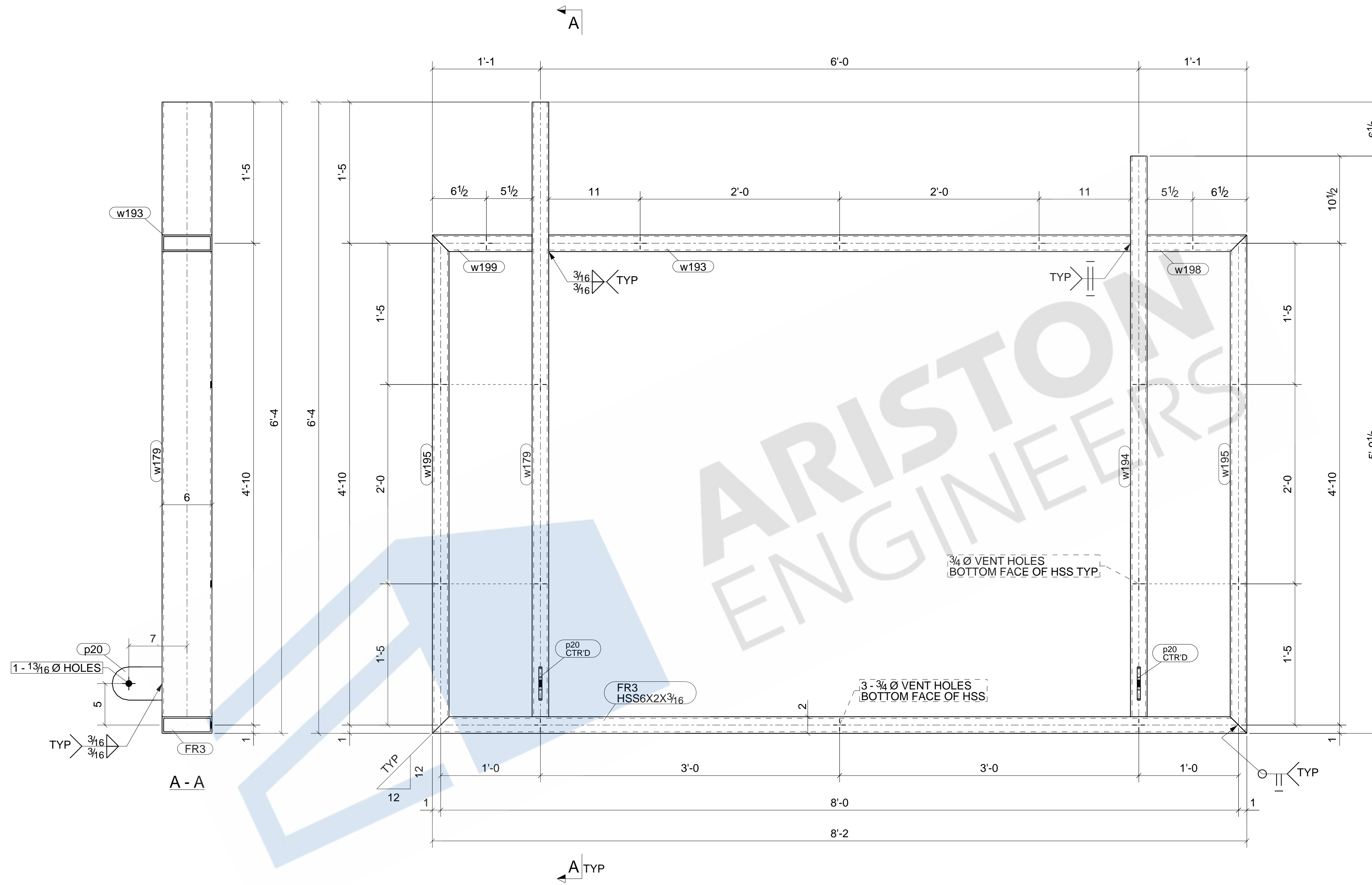


ONE - FRAME - FR2

BILL OF MATERIAL

MARK	QTY	DESCRIPTION	LENGTH	WEIGHT	REMARKS
FR2	1	FRAME			BEV-2
FR2	1	HSS6X2X3/16	9'-2"	80	GALVANIZED A500-GR.B
p20	2	FB3/8"x4"	0'-6"	5	GALVANIZED A36
w178	1	HSS6X2X3/16	6'-10"	60	GALVANIZED A500-GR.B
w194	2	HSS6X2X3/16	5'-7 1/2"	99	GALVANIZED A500-GR.B
w195	2	HSS6X2X3/16	5'-0"	88	GALVANIZED A500-GR.B
w196	1	HSS6X2X3/16	1'-0"	9	GALVANIZED A500-GR.B
w197	1	HSS6X2X3/16	1'-0"	9	GALVANIZED A500-GR.B
TOTAL WEIGHT THIS DRAWING				349	

REV	DESCRIPTION	DATE
DESCRIPTION		FRAME
PROJECT NAME		NEW ANNEX BUILDING
GC NAME		
DRAWN BY		NSP
DATE DRAWN		
JOB No.		DRG No.
		FR2



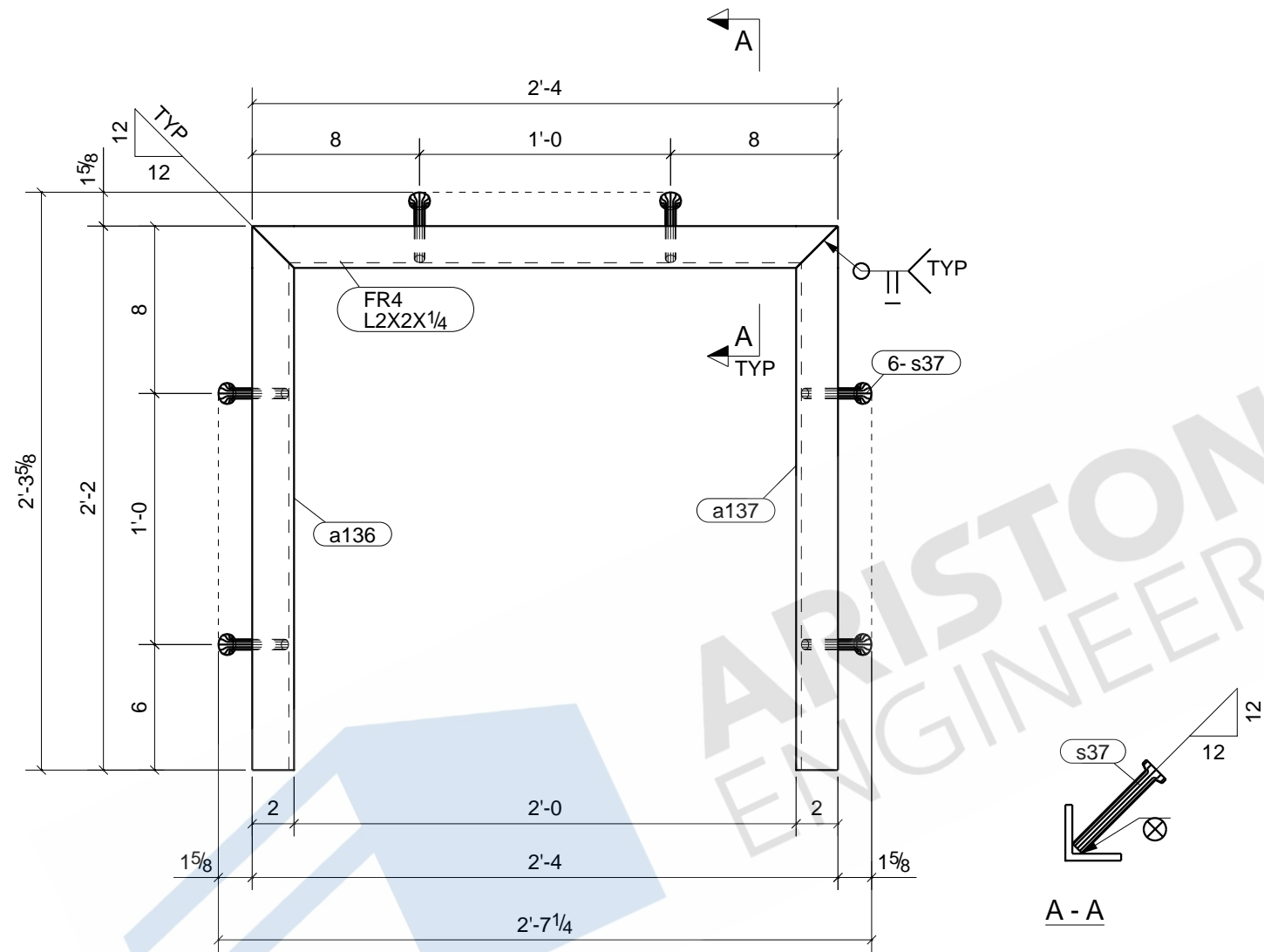
ONE - FRAME - FR3

BILL OF MATERIAL

MARK	QTY	DESCRIPTION	LENGTH	WEIGHT	REMARKS
FR3	1	FRAME			BEV-2
FR3	1	HSS6X2X3/16	8'-2"	72	GALVANIZED A500-GR.B
p20	2	FB3/8"X4"	0'-6"	5	GALVANIZED A36
w179	1	HSS6X2X3/16	6'-2"	54	GALVANIZED A500-GR.B
w193	1	HSS6X2X3/16	5'-10"	51	GALVANIZED A500-GR.B
w194	1	HSS6X2X3/16	5'-7 1/2"	49	GALVANIZED A500-GR.B
w195	2	HSS6X2X3/16	5'-0"	88	GALVANIZED A500-GR.B
w198	1	HSS6X2X3/16	1'-0"	9	GALVANIZED A500-GR.B
w199	1	HSS6X2X3/16	1'-0"	9	GALVANIZED A500-GR.B
TOTAL WEIGHT THIS DRAWING				337	

REV	DESCRIPTION	DATE

DESCRIPTION	FRAME
PROJECT NAME	NEW ANNEX BUILDING
GC NAME	
DRAWN BY	NSP
DATE DRAWN	
JOB No.	
DRG No.	FR3

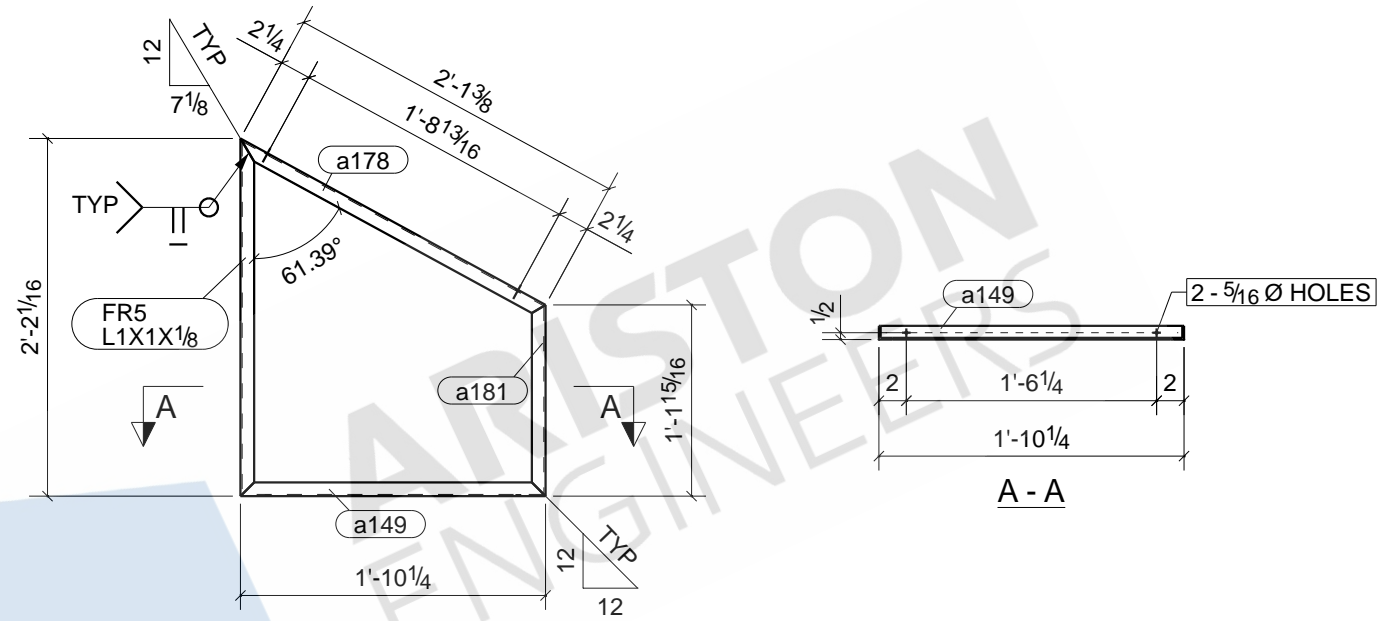


ONE - PIT FRAME - FR4

BILL OF MATERIAL

BILL OF MATERIAL						REV	DESCRIPTION	DATE
MARK	QTY	DESCRIPTION	LENGTH	WEIGHT	REMARKS			
FR4	1	PIT FRAME			BEV-2			
FR4	1	L2X2X1/4	2'-4"	7	GALVANIZED A36	DESCRIPTION	FRAME	
a136	1	L2X2X1/4	2'-2"	7	A36	PROJECT NAME	NEW ANNEX BUILDING	
a137	1	L2X2X1/4	2'-2"	7	A36	GC NAME		
s37	6	HCA_1/2-DIA	0'-4"	2		DRAWN BY	NSP	JOB No.
TOTAL WEIGHT THIS DRAWING				23		DATE DRAWN		DRG No. FR4

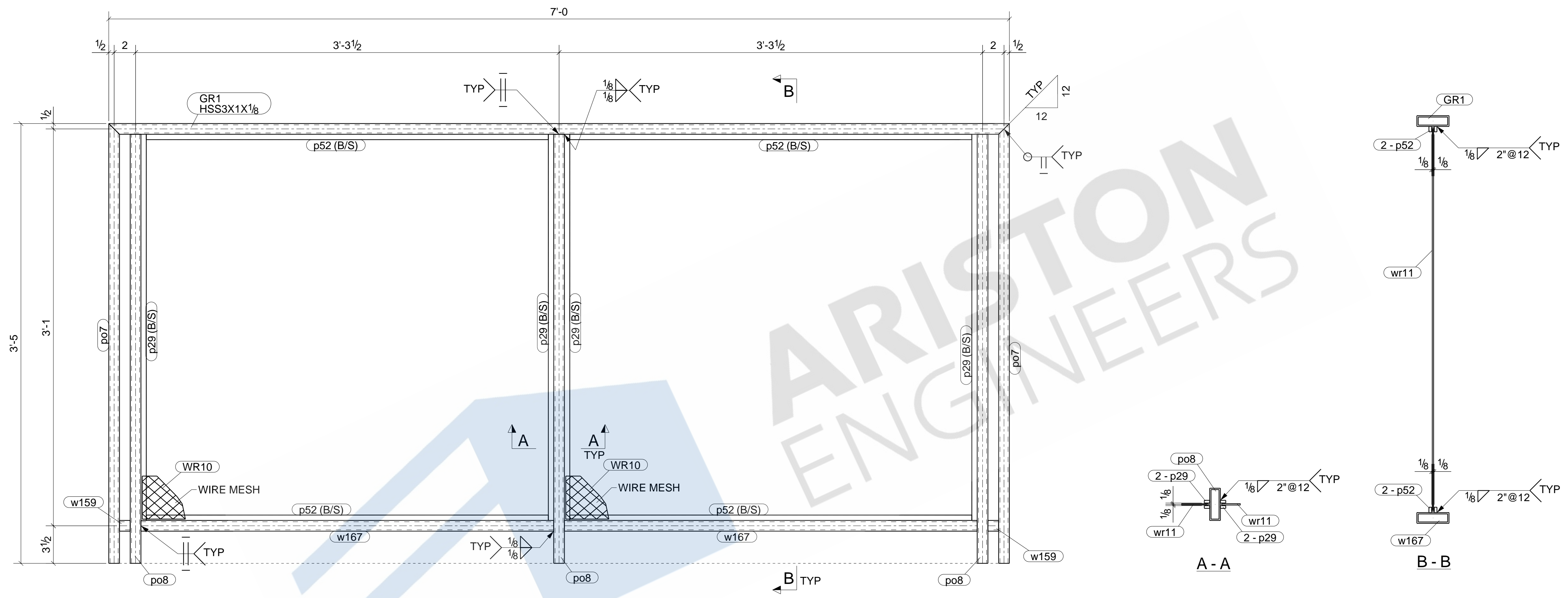
GRID LOCATION	BOTTOM ELEVATION
8.4-9/G.	2'-1"1/2



ONE - FRAME - FR5

BILL OF MATERIAL

BILL OF MATERIAL						REV	DESCRIPTION	DATE
MARK	QTY	DESCRIPTION	LENGTH	WEIGHT	REMARKS			
FR5	1	FRAME			BEV-2			
FR5	1	L1X1X1/8	2'-2 1/16"	2	PAINT "P2" A36	DESCRIPTION	FRAME	
a149	1	L1X1X1/8	1'-10 1/4"	1	A36	PROJECT NAME	NEW ANNEX BUILDING	
a178	1	L1X1X1/8	2'-1 3/8"	2	A36	GC NAME		
a181	1	L1X1X1/8	1'-1 15/16"	1	A36	DRAWN BY	ASM	JOB No.
TOTAL WEIGHT THIS DRAWING				6		DATE DRAWN		DRG No.
								FR5

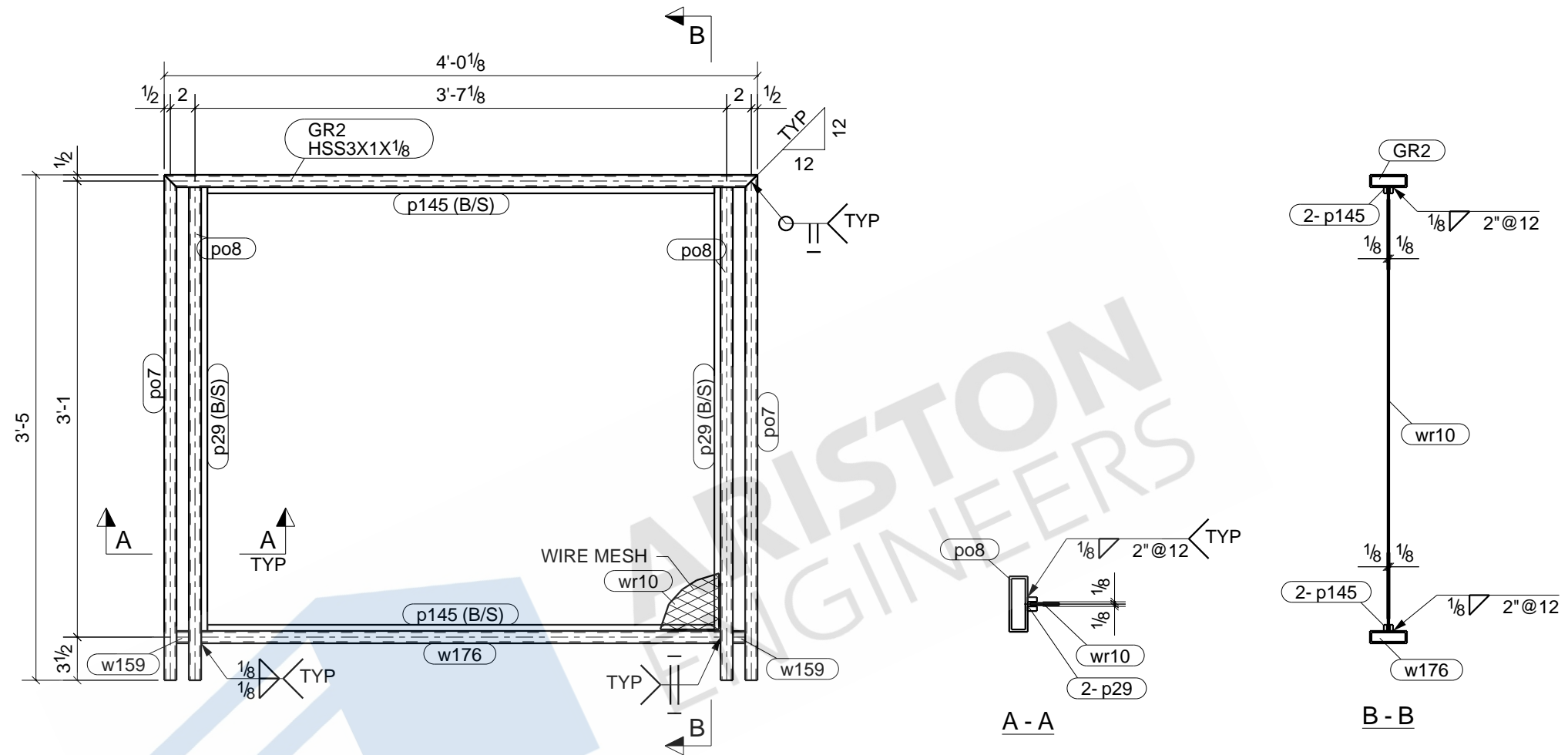


ONE - GUARDRAIL - GR1

BILL OF MATERIAL

MARK	QTY	DESCRIPTION	LENGTH	WEIGHT	REMARKS
GR1	1	GUARDRAIL			BEV-2
GR1	1	HSS3X1X1/8	7'-0"	20	PAINT 'P2' A500-GR.B
p29	8	FB1/4"X1/2"	3'-0"	10	A36
p52	8	FB1/4"X1/2"	3'-1 1/2"	11	A36
po7	2	HSS3X1X1/8	3'-5"	20	GREY PRIMER A500-GR.B
po8	3	HSS3X1X1/8	3'-4"	29	GREY PRIMER A500-GR.B
w159	2	HSS3X1X1/8	0'-1"	0	GREY PRIMER A500-GR.B
w167	2	HSS3X1X1/8	3'-2 1/2"	18	GREY PRIMER A500-GR.B
wr11	2	McNICHOLS S.S. WIREMESH@1		97	S.S.
TOTAL WEIGHT THIS DRAWING				205	

REV	DESCRIPTION	DATE
	DESCRIPTION	GUARDRAIL
	PROJECT NAME	NEW ANNEX BUILDING
	GC NAME	
	DRAWN BY	NSP
	DATE DRAWN	
	JOB No.	
	DRG No.	GR1



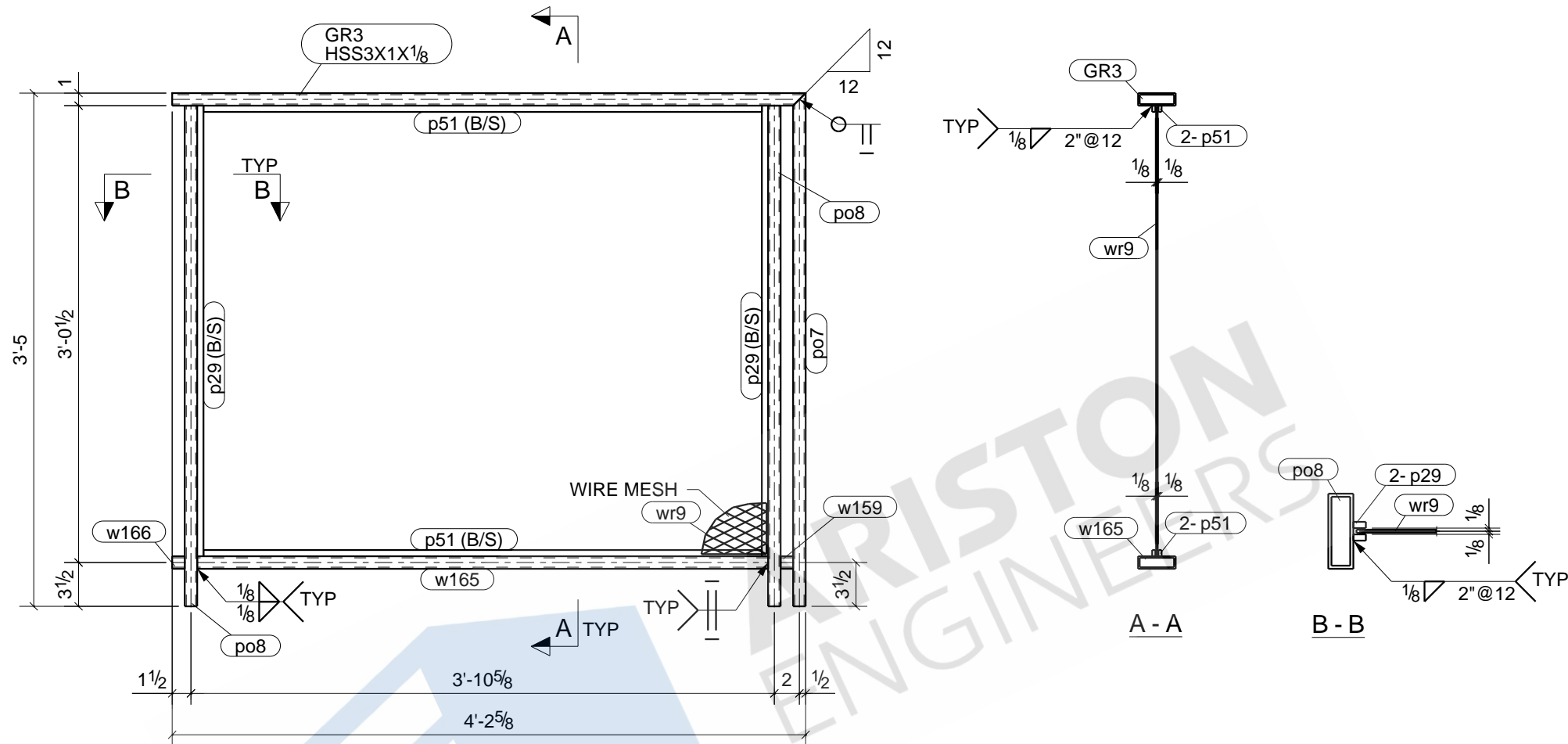
ONE - GUARDRAIL - GR2

BILL OF MATERIAL

MARK	QTY	DESCRIPTION	LENGTH	WEIGHT	REMARKS
GR2	1	GUARDRAIL			BEV-2
GR2	1	HSS3X1X1/8	4'-0 1/8"	11	PAINT "P2" A500-GR.B
p29	4	FB1/4"X1/2"	3'-0"	5	A36
p145	4	FB1/4"X1/2"	3'-5 1/8"	6	A36
po7	2	HSS3X1X1/8	3'-5"	20	GREY PRIMER A500-GR.B
po8	2	HSS3X1X1/8	3'-4"	19	GREY PRIMER A500-GR.B
w159	2	HSS3X1X1/8	0'-1"	0	GREY PRIMER A500-GR.B
w176	1	HSS3X1X1/8	3'-6 1/8"	10	GREY PRIMER A500-GR.B
wr10	1	McNICHOLS S.S. WIREMESHBOI		53	S.S.
TOTAL WEIGHT THIS DRAWING				125	

REV	DESCRIPTION	DATE

DESCRIPTION	GUARDRAIL
PROJECT NAME	NEW ANNEX BUILDING
GC NAME	
DRAWN BY	NSP
DATE DRAWN	
JOB No.	
DRG No.	GR2



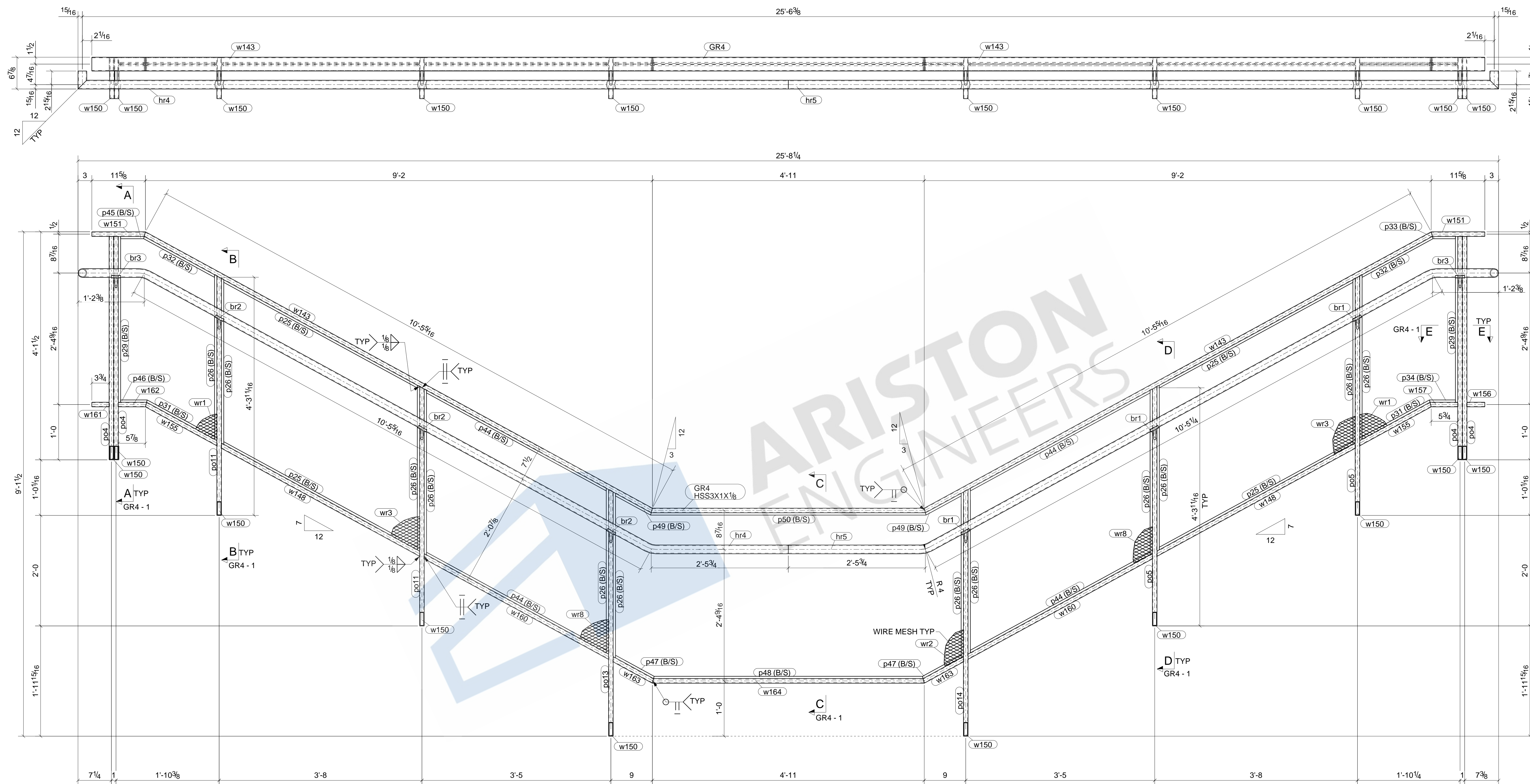
ONE - GUARDRAIL - GR3

BILL OF MATERIAL

MARK	QTY	DESCRIPTION	LENGTH	WEIGHT	REMARKS
GR3	1	GUARDRAIL			SQ-1/BEV-1
GR3	1	HSS3X1X1/8	4'-2 5/8"	12	PAINT "P2" A500-GR.B
p29	4	FB1/4"X1/2"	3'-0"	5	A36
p51	4	FB1/4"X1/2"	3'-8 5/8"	6	A36
po7	1	HSS3X1X1/8	3'-5"	10	GREY PRIMER A500-GR.B
po8	2	HSS3X1X1/8	3'-4"	19	GREY PRIMER A500-GR.B
w159	1	HSS3X1X1/8	0'-1"	0	GREY PRIMER A500-GR.B
w165	1	HSS3X1X1/8	3'-9 5/8"	11	GREY PRIMER A500-GR.B
w166	1	HSS3X1X1/8	0'-1"	0	GREY PRIMER A500-GR.B
wr9	1	McNICHOLS S.S. WIREMESHBOI		58	S.S.
TOTAL WEIGHT THIS DRAWING				121	

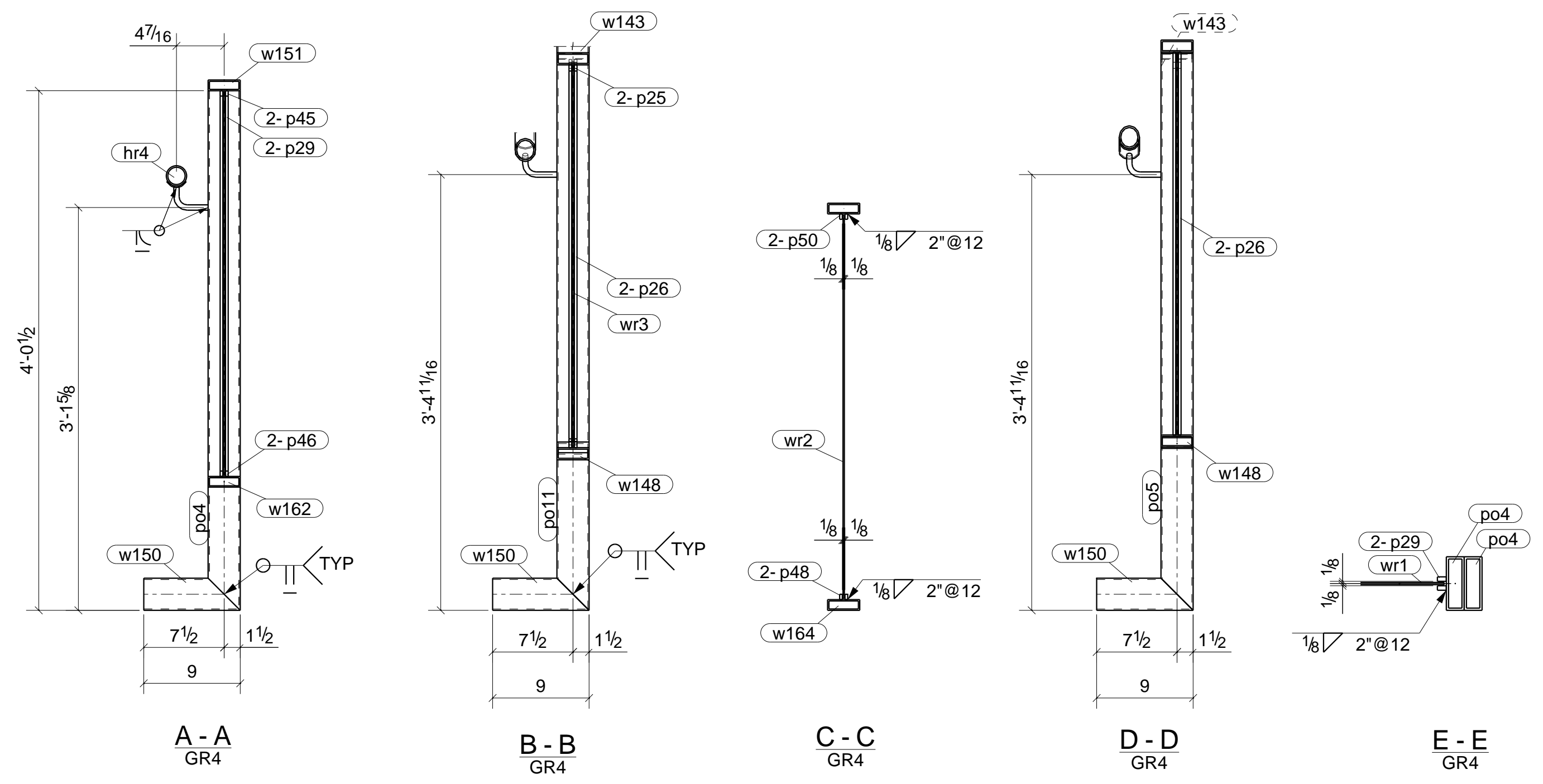
REV	DESCRIPTION	DATE

DESCRIPTION	GUARDRAIL		
PROJECT NAME	NEW ANNEX BUILDING		
GC NAME			
DRAWN BY	NSP	JOB No.	DRG No.
DATE DRAWN			GR3



WORK THIS DRAWING WITH SHEET GR4 - 1
 ONE - GUARDRAIL - GR4

REV	DESCRIPTION	DATE
	DESCRIPTION	GUARDRAIL
	PROJECT NAME	NEW ANNEX BUILDING
	GC NAME	
	DRAWN BY	NSP
	DATE DRAWN	
	JOB No.	
	DRG No.	GR4

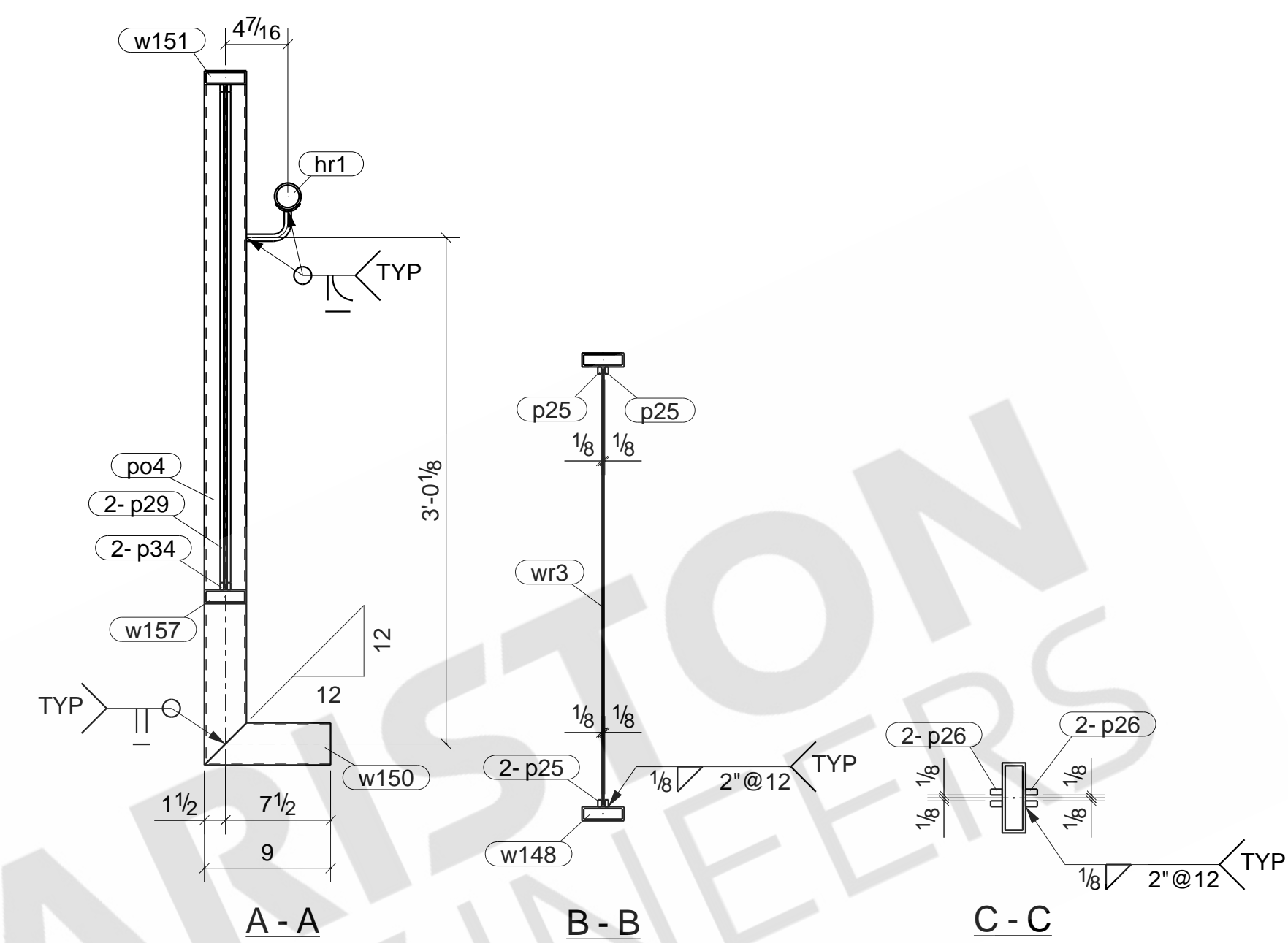
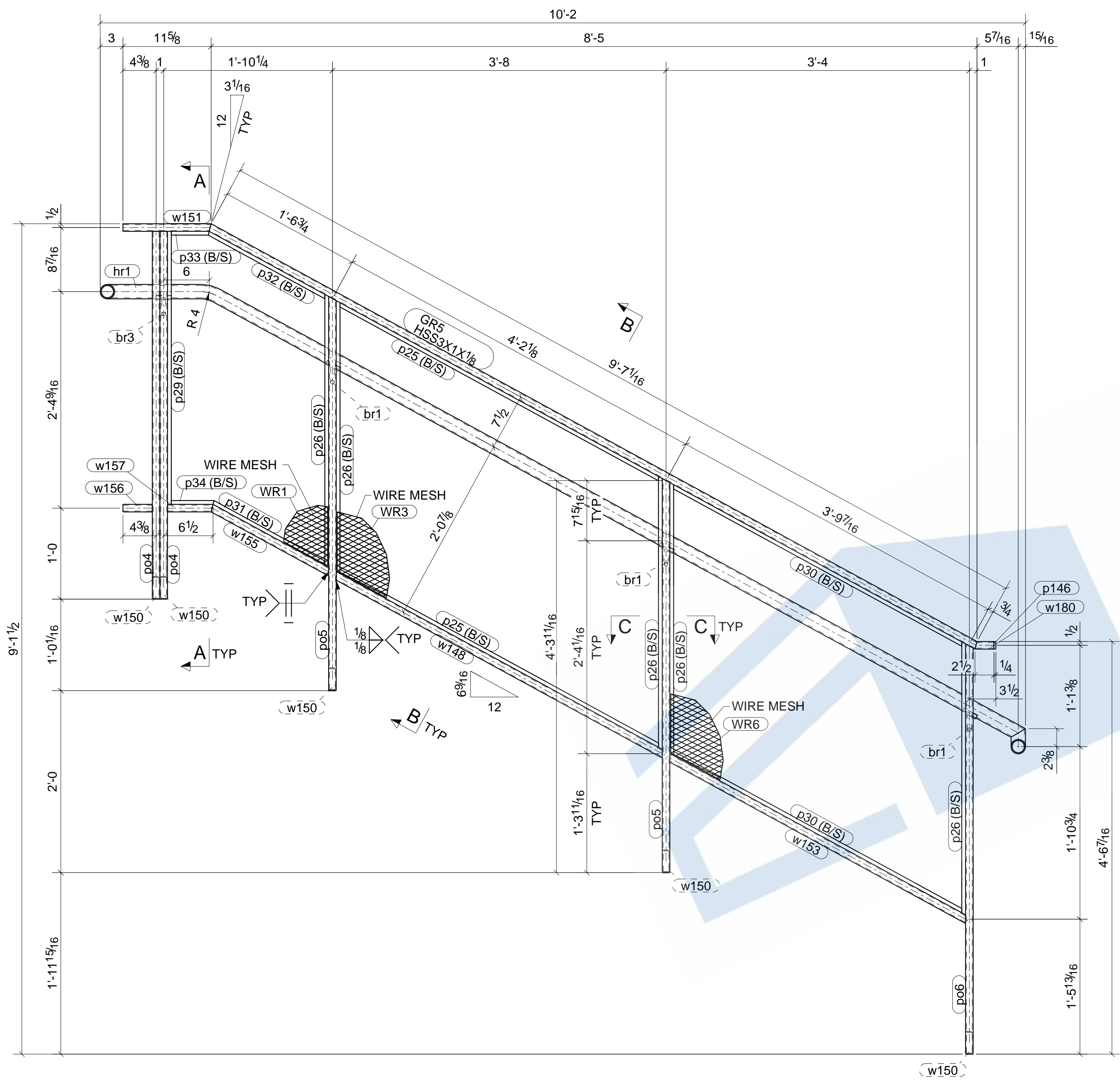
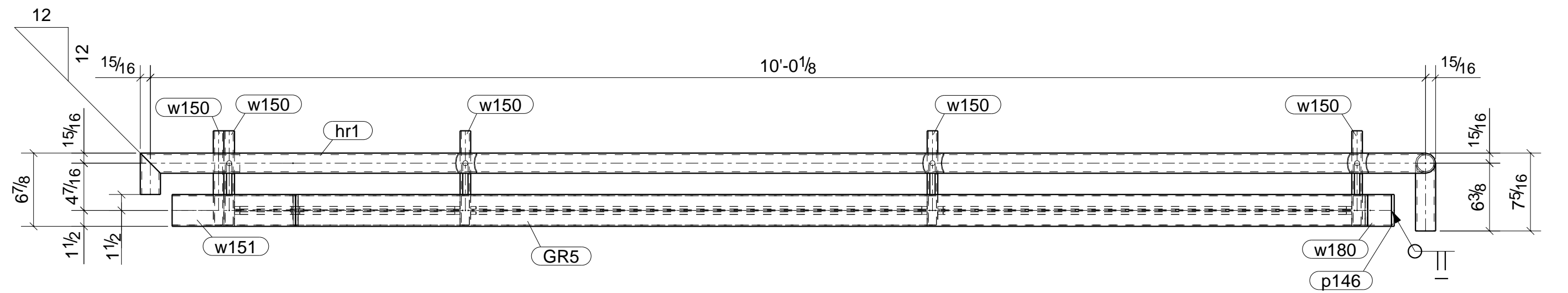


WORK THIS DRAWING WITH SHEET GR4
 ONE - GUARDRAIL - GR4 - 1

BILL OF MATERIAL

MARK	QTY	DESCRIPTION	LENGTH	WEIGHT	REMARKS
GR4	1	GUARDRAIL			BEV-2
GR4	1	HSS3X1X1/8	4'-11 1/2"	14	PAINT 'P2' A500-GR.B
br1	3	STEEL BRACKET	BOI	1	A36
br2	3	STEEL BRACKET	BOI	1	A36
br3	2	STEEL BRACKET	BOI	1	A36
hr4	1	PIPE1-1/2STD	14'-5 1/4"	37	A53
hr5	1	PIPE1-1/2STD	14'-5 1/4"	37	A53
p25	8	FB1/4"X1/2"	4'-0 1/8"	14	A36
p26	24	FB1/4"X1/2"	3'-0"	30	A36
p29	4	FB1/4"X1/2"	3'-0"	5	A36
p31	4	FB1/4"X1/2"	1'-4 15/16"	2	A36
p32	4	FB1/4"X1/2"	1'-5 5/8"	2	A36
p33	2	FB1/4"X1/2"	0'-5"	0	A36
p34	2	FB1/4"X1/2"	0'-5 5/8"	0	A36
p44	8	FB1/4"X1/2"	3'-8 11/16"	13	A36
p45	2	FB1/4"X1/2"	0'-5 1/8"	0	A36
p46	2	FB1/4"X1/2"	0'-5 3/4"	0	A36
p47	4	FB1/4"X1/2"	0'-9 11/16"	1	A36
p48	2	FB1/4"X1/2"	4'-10 1/2"	4	A36
p49	4	FB1/4"X1/2"	0'-8 15/16"	1	A36
p50	2	FB1/4"X1/2"	4'-11 3/4"	4	A36
po4	4	HSS3X1X1/8	4'-0 1/2"	46	GREY PRIMER A500-GR.B
po5	2	HSS3X1X1/8	4'-4"	25	GREY PRIMER A500-GR.B
po11	2	HSS3X1X1/8	4'-4"	25	GREY PRIMER A500-GR.B
po13	1	HSS3X1X1/8	4'-5 9/16"	13	GREY PRIMER A500-GR.B
po14	1	HSS3X1X1/8	4'-5 9/16"	13	GREY PRIMER A500-GR.B
w143	2	HSS3X1X1/8	10'-5 9/16"	60	PAINT 'P2' A500-GR.B
w148	2	HSS3X1X1/8	4'-1 1/2"	24	GREY PRIMER A500-GR.B
w150	10	HSS3X1X1/8	0'-9"	21	GREY PRIMER A500-GR.B
w151	2	HSS3X1X1/8	0'-11 5/8"	6	GREY PRIMER A500-GR.B
w155	2	HSS3X1X1/8	1'-5 15/16"	9	GREY PRIMER A500-GR.B
w156	1	HSS3X1X1/8	0'-3 7/8"	1	GREY PRIMER A500-GR.B
w157	1	HSS3X1X1/8	0'-6"	1	GREY PRIMER A500-GR.B
w160	2	HSS3X1X1/8	3'-10 1/8"	22	GREY PRIMER A500-GR.B
w161	1	HSS3X1X1/8	0'-3 3/4"	1	GREY PRIMER A500-GR.B
w162	1	HSS3X1X1/8	0'-6 1/8"	1	GREY PRIMER A500-GR.B
w163	2	HSS3X1X1/8	0'-10 1/4"	5	GREY PRIMER A500-GR.B
w164	1	HSS3X1X1/8	4'-11"	14	GREY PRIMER A500-GR.B
wr1	2	McNICHOLS S.S. WIREMESH	BOI	53	S.S.
wr2	1	McNICHOLS S.S. WIREMESH	BOI	96	S.S.
wr3	2	McNICHOLS S.S. WIREMESH	BOI	107	S.S.
wr8	2	McNICHOLS S.S. WIREMESH	BOI	100	S.S.
TOTAL WEIGHT THIS DRAWING				811	

REV	DESCRIPTION	DATE
	DESCRIPTION	GUARDRAIL
	PROJECT NAME	NEW ANNEX BUILDING
	GC NAME	
	DRAWN BY	NSP
	DATE DRAWN	
	JOB No.	
	DRG No.	GR4-1

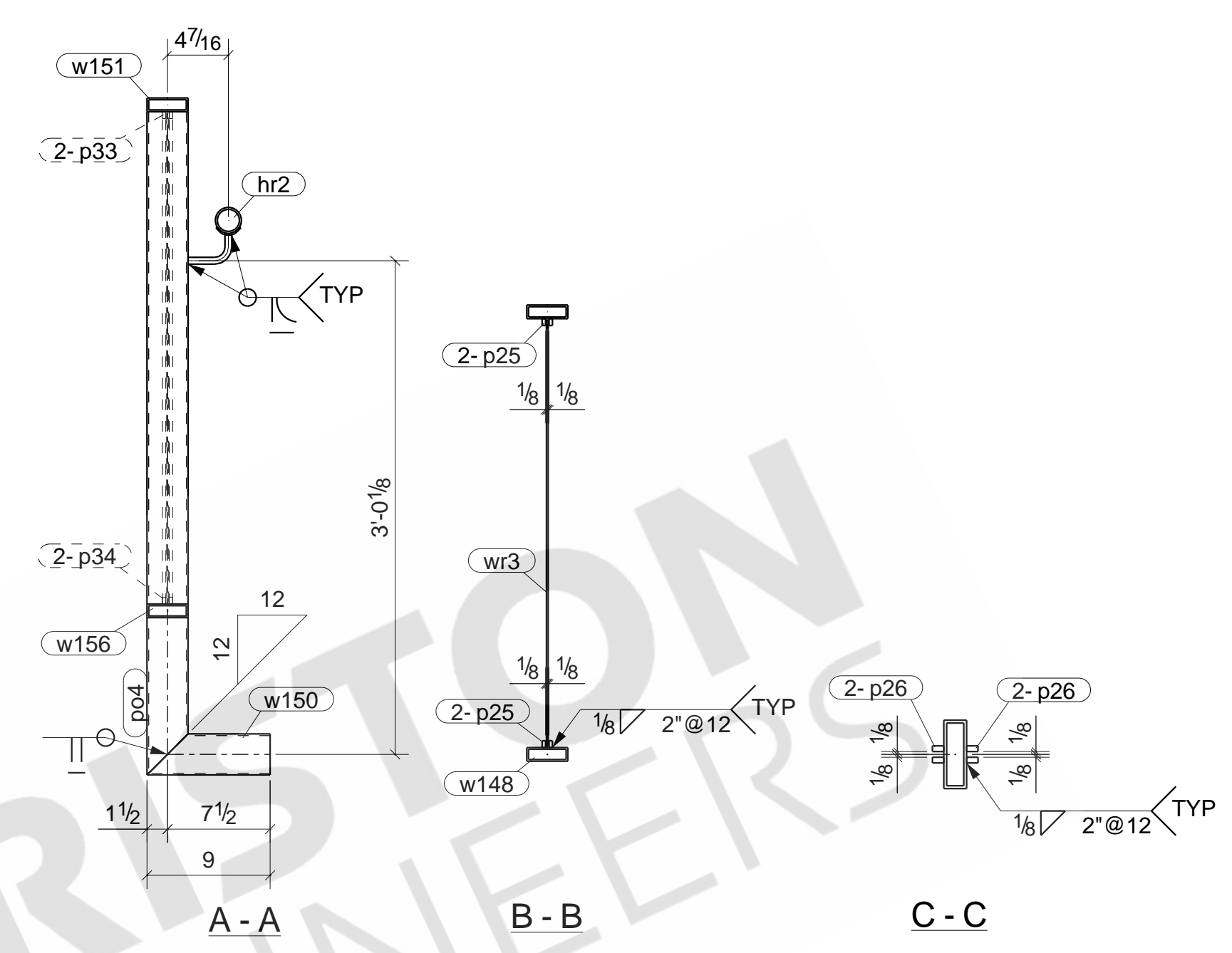
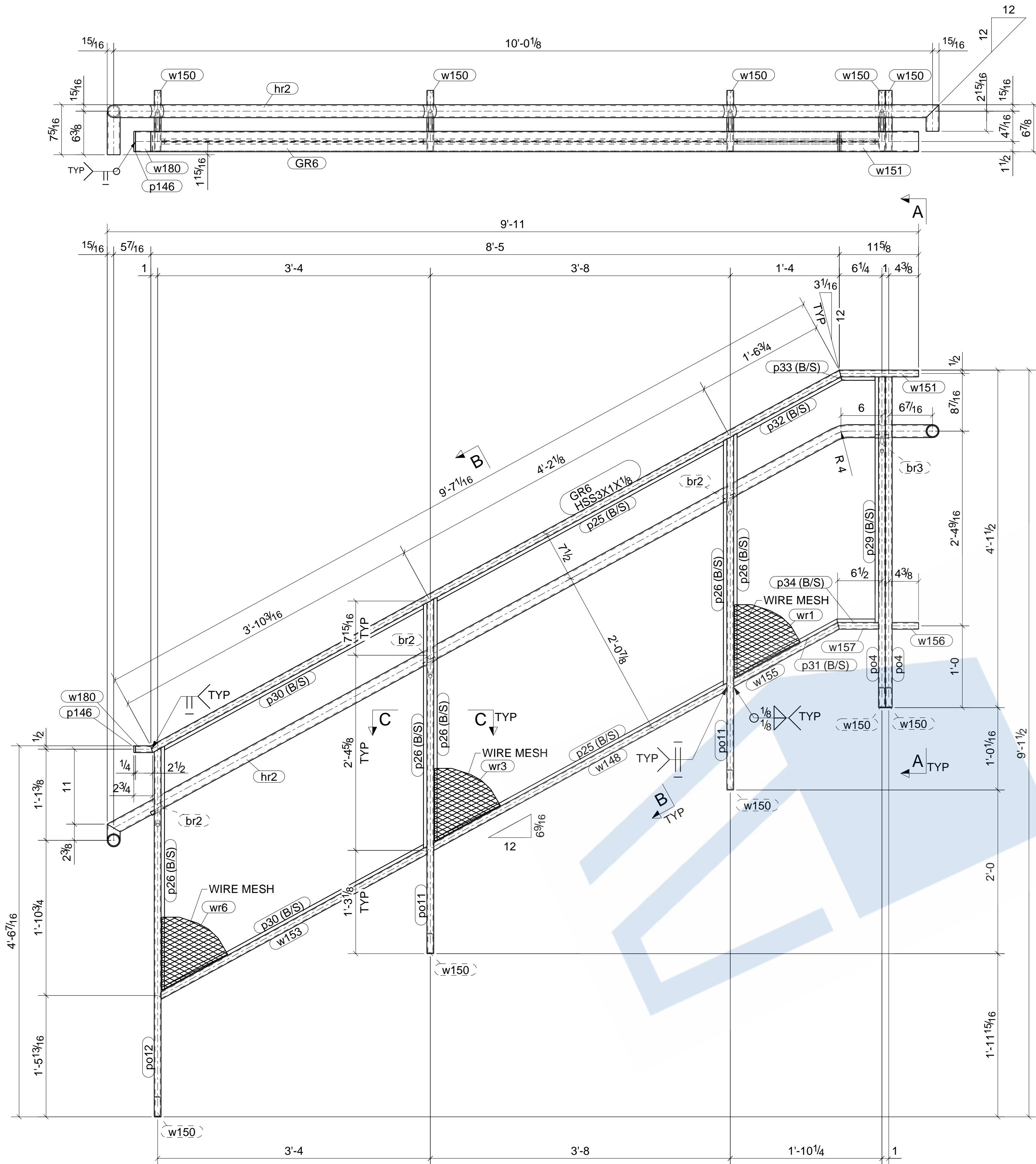


ONE - GUARDRAIL - GR5

BILL OF MATERIAL

MARK	QTY	DESCRIPTION	LENGTH	WEIGHT	REMARKS
GR5	1	GUARDRAIL			BEV-2
GR5	1	HSS3X1X1/8	9'-7 5/16"	27	PAINT 'P2' A500-GR.B
br1	3	STEEL BRACKET BOI		1	A36
br3	1	STEEL BRACKET BOI		0	A36
hr1	1	PIPE 1-1/2STD	12'-7"	32	A53
p25	4	FB1/4"X1/2"	4'-0 1/8"	7	A36
p26	10	FB1/4"X1/2"	3'-0"	13	A36
p29	2	FB1/4"X1/2"	3'-0"	3	A36
p30	4	FB1/4"X1/2"	3'-7 9/16"	6	A36
p31	2	FB1/4"X1/2"	1'-4 15/16"	1	A36
p32	2	FB1/4"X1/2"	1'-5 5/8"	1	A36
p33	2	FB1/4"X1/2"	0'-5"	0	A36
p34	2	FB1/4"X1/2"	0'-5 5/8"	0	A36
p146	1	FB1/4"X1"	0'-3"	0	A36
po4	2	HSS3X1X1/8	4'-0 1/2"	23	GREY PRIMER A500-GR.B
po5	2	HSS3X1X1/8	4'-4"	25	GREY PRIMER A500-GR.B
po6	1	HSS3X1X1/8	4'-6 1/16"	13	GREY PRIMER A500-GR.B
w148	1	HSS3X1X1/8	4'-1 1/2"	12	GREY PRIMER A500-GR.B
w150	5	HSS3X1X1/8	0'-9"	11	GREY PRIMER A500-GR.B
w151	1	HSS3X1X1/8	0'-11 5/8"	3	GREY PRIMER A500-GR.B
w153	1	HSS3X1X1/8	3'-9"	11	GREY PRIMER A500-GR.B
w155	1	HSS3X1X1/8	1'-5 15/16"	4	GREY PRIMER A500-GR.B
w156	1	HSS3X1X1/8	0'-3 7/8"	1	GREY PRIMER A500-GR.B
w157	1	HSS3X1X1/8	0'-6"	1	GREY PRIMER A500-GR.B
w180	1	HSS3X1X1/8	0'-2 1/2"	1	PAINT 'P2' A500-GR.B
wr1	1	McNICHOLS S.S. WIREMESHBOI		26	S.S.
wr3	1	McNICHOLS S.S. WIREMESHBOI		54	S.S.
wr6	1	McNICHOLS S.S. WIREMESHBOI		49	S.S.
TOTAL WEIGHT THIS DRAWING				325	

REV	DESCRIPTION	DATE
	DESCRIPTION	GUARDRAIL
	PROJECT NAME	NEW ANNEX BUILDING
	GC NAME	
	DRAWN BY	NSP
	DATE DRAWN	
	JOB No.	
	DRG No.	GR5

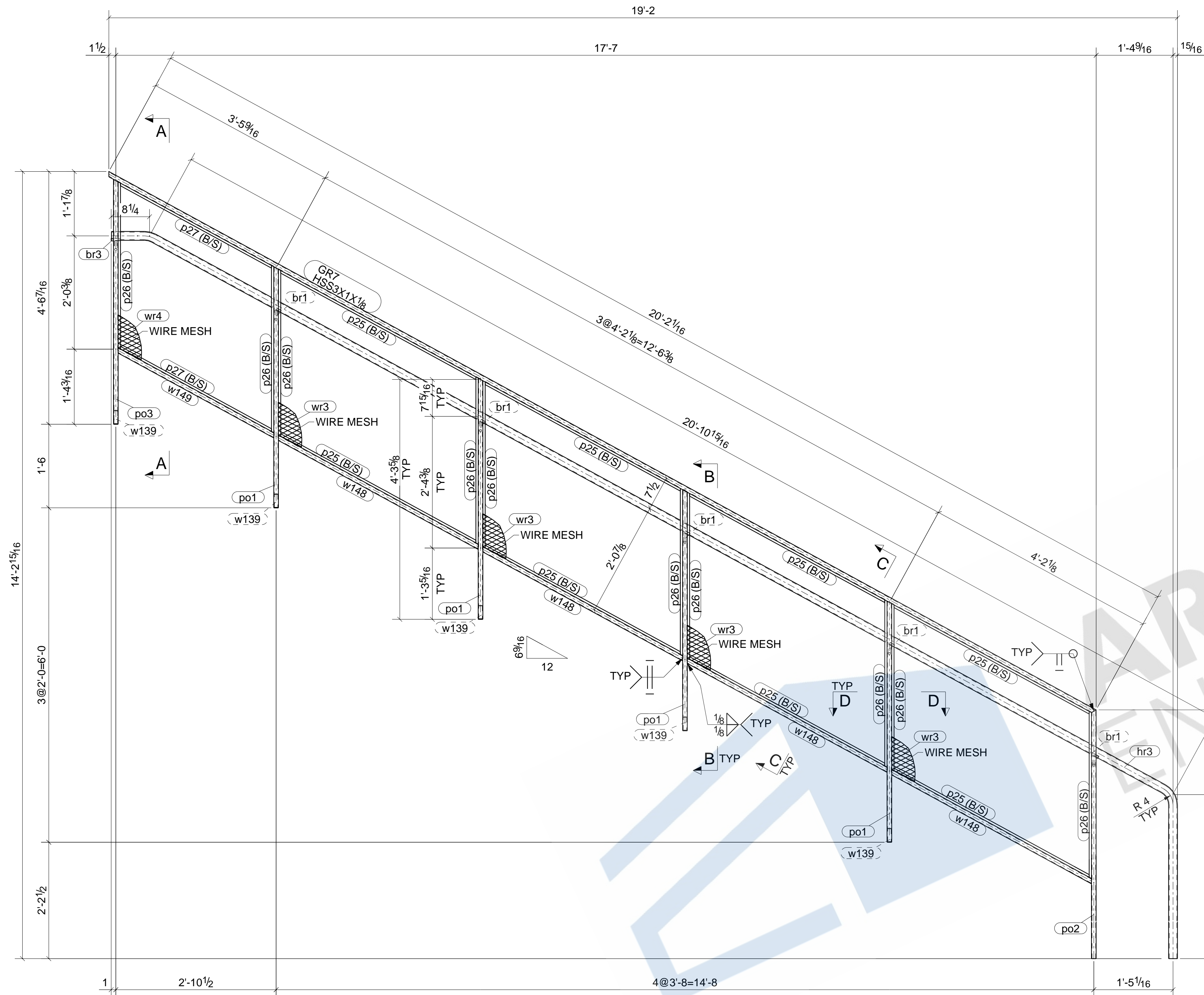


ONE - GUARDRAIL - GR6

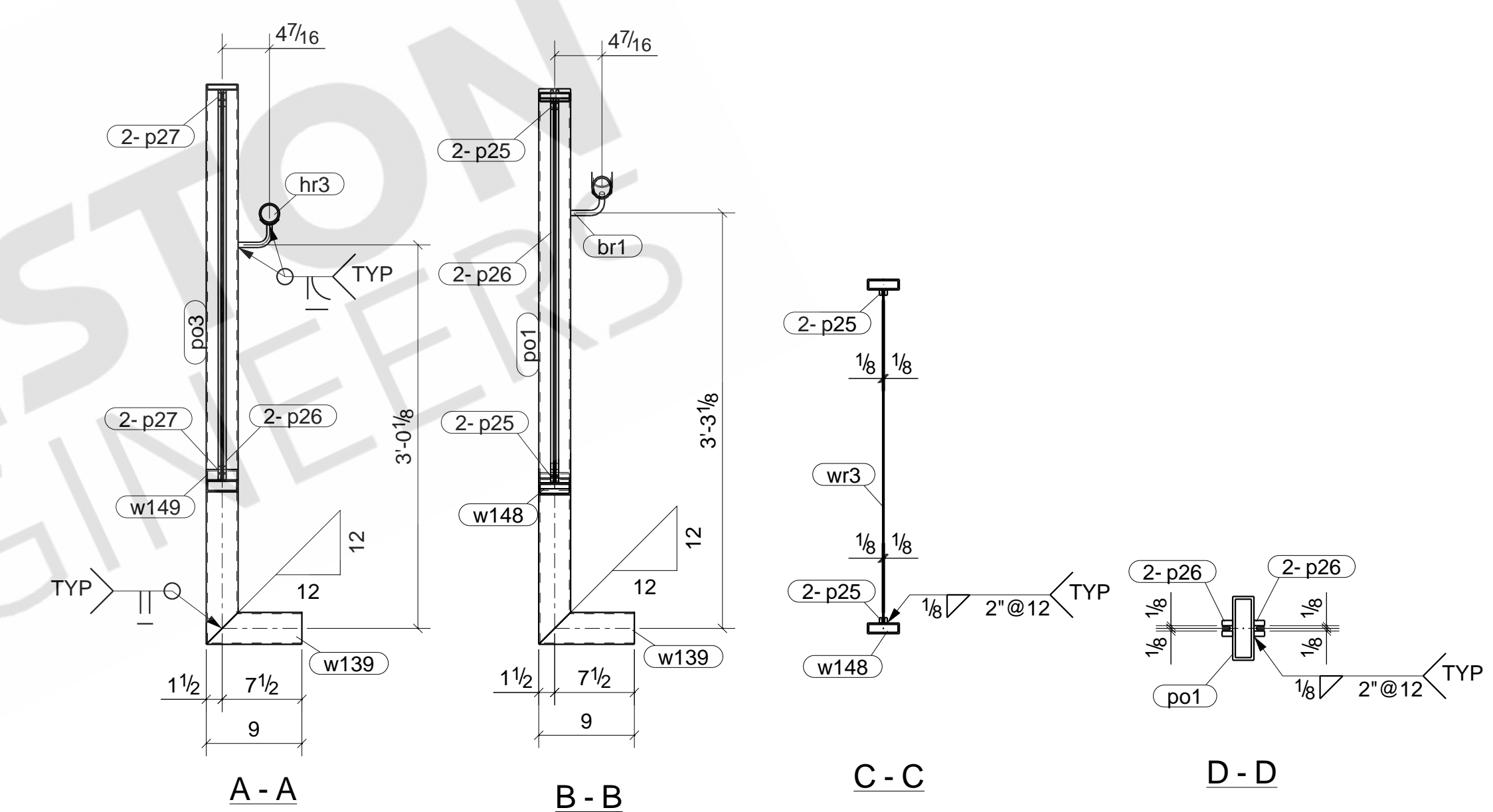
BILL OF MATERIAL

MARK	QTY	DESCRIPTION	LENGTH	WEIGHT	REMARKS
GR6	1	GUARDRAIL			BEV-2
GR6	1	HSS3X1X1/8	9'-7 5/16"	27	PAINT 'P2' A500-GR.B
br2	3	STEEL BRACKET BOI		1	A36
br3	1	STEEL BRACKET BOI		0	A36
hr2	1	PIPE1-1/2STD	12'-7"	32	A53
p25	4	FB1/4"X1/2"	4'-0 1/8"	7	A36
p26	10	FB1/4"X1/2"	3'-0"	13	A36
p29	2	FB1/4"X1/2"	3'-0"	3	A36
p30	4	FB1/4"X1/2"	3'-7 9/16"	6	A36
p31	2	FB1/4"X1/2"	1'-4 15/16"	1	A36
p32	2	FB1/4"X1/2"	1'-5 5/8"	1	A36
p33	2	FB1/4"X1/2"	0'-5"	0	A36
p34	2	FB1/4"X1/2"	0'-5 5/8"	0	A36
p146	1	FB1/4"X1"	0'-3"	0	A36
p04	2	HSS3X1X1/8	4'-0 1/2"	23	GREY PRIMER A500-GR.B
po11	2	HSS3X1X1/8	4'-4"	25	GREY PRIMER A500-GR.B
po12	1	HSS3X1X1/8	4'-6 1/16"	13	GREY PRIMER A500-GR.B
w148	1	HSS3X1X1/8	4'-1 1/2"	12	GREY PRIMER A500-GR.B
w150	5	HSS3X1X1/8	0'-9"	11	GREY PRIMER A500-GR.B
w151	1	HSS3X1X1/8	0'-11 5/8"	3	GREY PRIMER A500-GR.B
w153	1	HSS3X1X1/8	3'-9"	11	GREY PRIMER A500-GR.B
w155	1	HSS3X1X1/8	1'-5 15/16"	4	GREY PRIMER A500-GR.B
w156	1	HSS3X1X1/8	0'-3 7/8"	1	GREY PRIMER A500-GR.B
w157	1	HSS3X1X1/8	0'-6"	1	GREY PRIMER A500-GR.B
w180	1	HSS3X1X1/8	0'-2 1/2"	1	PAINT 'P2' A500-GR.B
wr1	1	McNICHOLS S.S. WIREMESHBOI		26	S.S.
wr3	1	McNICHOLS S.S. WIREMESHBOI		54	S.S.
wr6	1	McNICHOLS S.S. WIREMESHBOI		49	S.S.
TOTAL WEIGHT THIS DRAWING				325	

REV	DESCRIPTION	DATE
	DESCRIPTION	GUARDRAIL
	PROJECT NAME	NEW ANNEX BUILDING
	GC NAME	
	DRAWN BY	NSP
	DATE DRAWN	
	JOB No.	
	DRG No.	GR6



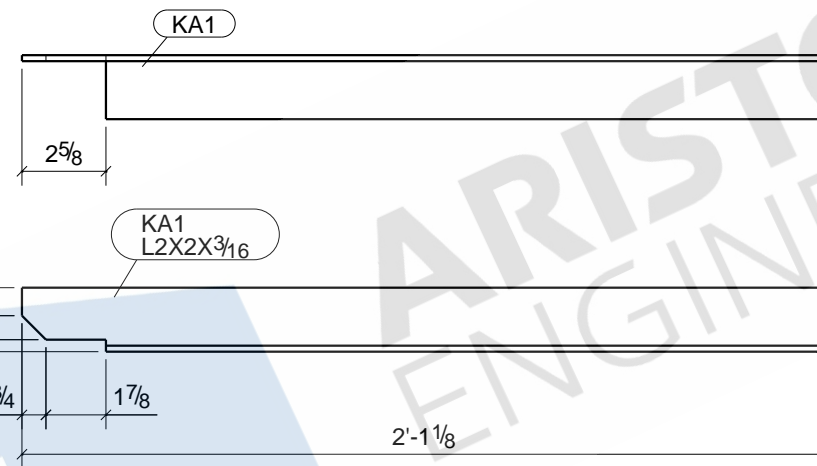
ONE - GUARDRAIL - GR7



BILL OF MATERIAL

MARK	QTY	DESCRIPTION	LENGTH	WEIGHT	REMARKS
GR7	1	GUARDRAIL			BEV-2
GR7	1	HSS3X1X1/8	20'-2 1/16"	58	PAINT "P2" A500-GR.B
br1	5	STEEL BRACKET BOI		2	A36
br3	1	STEEL BRACKET BOI		0	A36
hr3	1	PIPE1-1/2STD	24'-7 1/2"	63	A53
p25	16	FB1/4"X1/2"	4'-0 1/8"	27	A36
p26	20	FB1/4"X1/2"	3'-0"	25	A36
p27	4	FB1/4"X1/2"	3'-1 5/16"	5	A36
po1	4	HSS3X1X1/8	4'-3 15/16"	49	GREY PRIMER A500-GR.B
po2	1	HSS3X1X1/8	4'-7"	13	GREY PRIMER A500-GR.B
po3	1	HSS3X1X1/8	4'-4 3/4"	13	GREY PRIMER A500-GR.B
w139	5	HSS3X1X1/8	0'-9"	11	GREY PRIMER A500-GR.B
w148	4	HSS3X1X1/8	4'-1 1/2"	47	GREY PRIMER A500-GR.B
w149	1	HSS3X1X1/8	3'-2 11/16"	9	GREY PRIMER A500-GR.B
wr3	4	McNICHOLS S.S. WIREMESHBOI		215	S.S.
wr4	1	McNICHOLS S.S. WIREMESHBOI		42	S.S.
TOTAL WEIGHT THIS DRAWING				579	

REV	DESCRIPTION	DATE
	DESCRIPTION	GUARDRAIL
	PROJECT NAME	NEW ANNEX BUILDING
	GC NAME	
	DRAWN BY	NSP
	DATE DRAWN	
	JOB No.	
	DRG No.	GR7

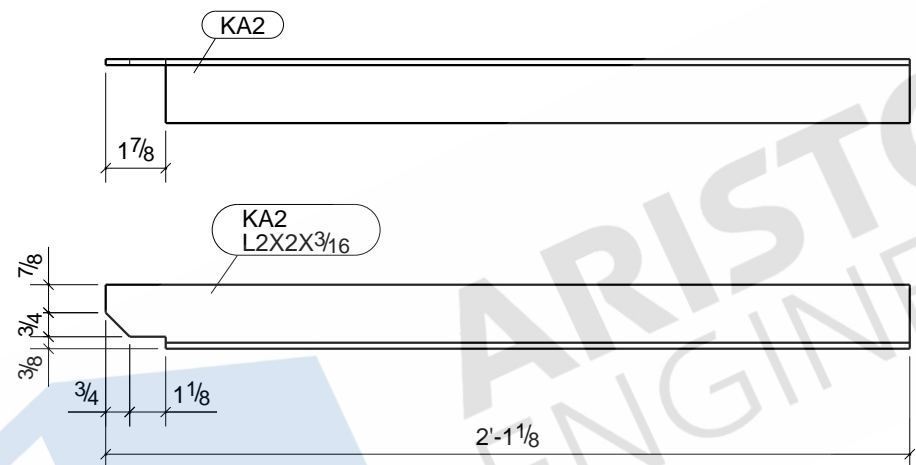


ONE - KICKER ANGLE - KA1

BILL OF MATERIAL

MARK	QTY	DESCRIPTION	LENGTH	WEIGHT	REMARKS
KA1	1	KICKER ANGLE			SQ-2
KA1	1	L2X2X3/16	2'-1 1/8"	5	GREY PRIMER A36
TOTAL WEIGHT THIS DRAWING				5	

REV	DESCRIPTION	DATE
DESCRIPTION		KICKER ANGLE
PROJECT NAME		NEW ANNEX BUILDING
GC NAME		
DRAWN BY	NSP	JOB No.
DATE DRAWN		DRG No.
		KA1

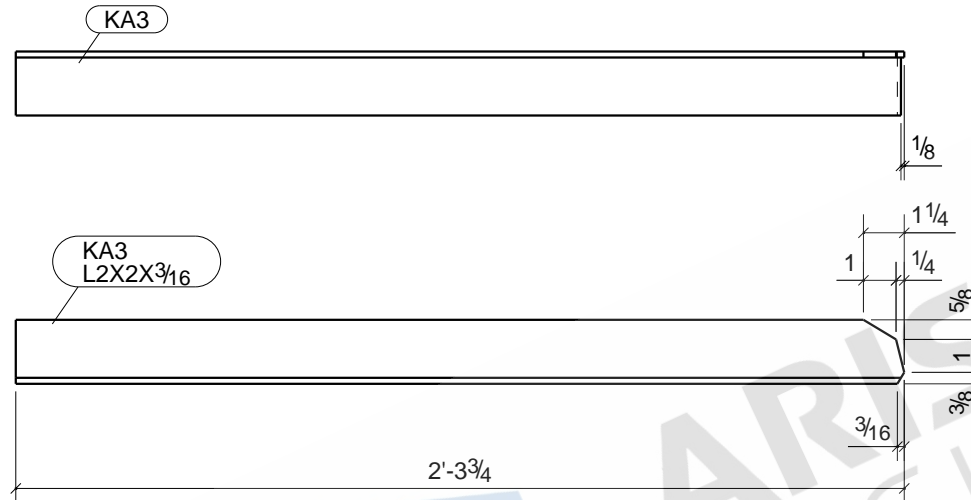


ONE - KICKER ANGLE - KA2

BILL OF MATERIAL

MARK	QTY	DESCRIPTION	LENGTH	WEIGHT	REMARKS
KA2	1	KICKER ANGLE			SQ-2
KA2	1	L2X2X3/16	2'-1 1/8"	5	GREY PRIMER A36
TOTAL WEIGHT THIS DRAWING				5	

REV	DESCRIPTION	DATE
DESCRIPTION		KICKER ANGLE
PROJECT NAME		NEW ANNEX BUILDING
GC NAME		
DRAWN BY	NSP	JOB No.
DATE DRAWN		DRG No. KA2

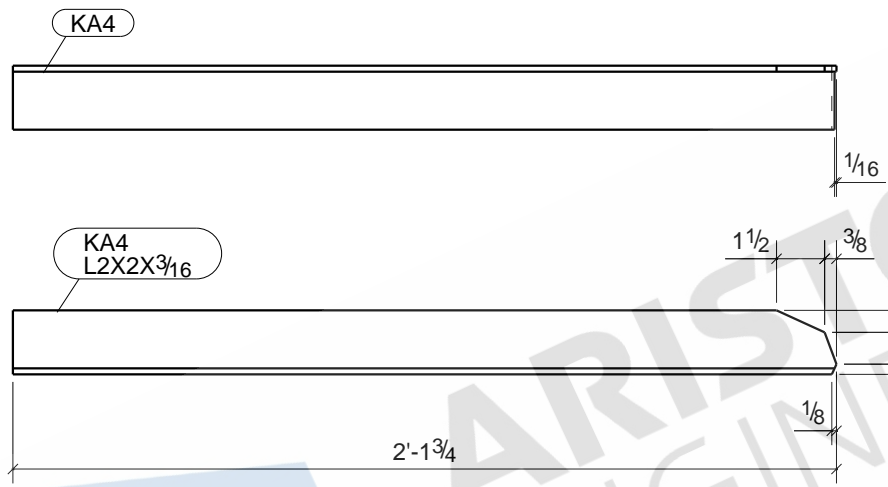


ONE - KICKER ANGLE - KA3

BILL OF MATERIAL

MARK	QTY	DESCRIPTION	LENGTH	WEIGHT	REMARKS
KA3	1	KICKER ANGLE			SQ-1/BEV-1
KA3	1	L2X2X3/16	2'-3 3/4"	6	GREY PRIMER A36
TOTAL WEIGHT THIS DRAWING				6	

REV	DESCRIPTION	DATE
DESCRIPTION		KICKER ANGLE
PROJECT NAME		NEW ANNEX BUILDING
GC NAME		
DRAWN BY	NSP	JOB No.
DATE DRAWN		DRG No. KA3

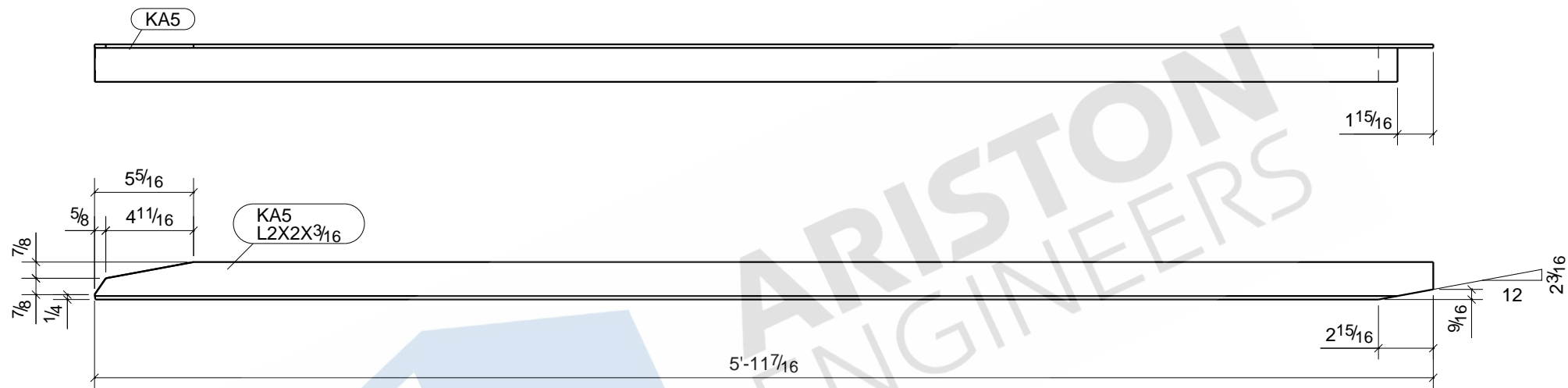


ONE - KICKER ANGLE - KA4

BILL OF MATERIAL

MARK	QTY	DESCRIPTION	LENGTH	WEIGHT	REMARKS
KA4	1	KICKER ANGLE			SQ-2
KA4	1	L2X2X3/16	2'-1 3/4"	5	GREY PRIMER A36
TOTAL WEIGHT THIS DRAWING				5	

REV	DESCRIPTION	DATE
DESCRIPTION		KICKER ANGLE
PROJECT NAME		NEW ANNEX BUILDING
GC NAME		
DRAWN BY	NSP	JOB No.
DATE DRAWN		DRG No. KA4

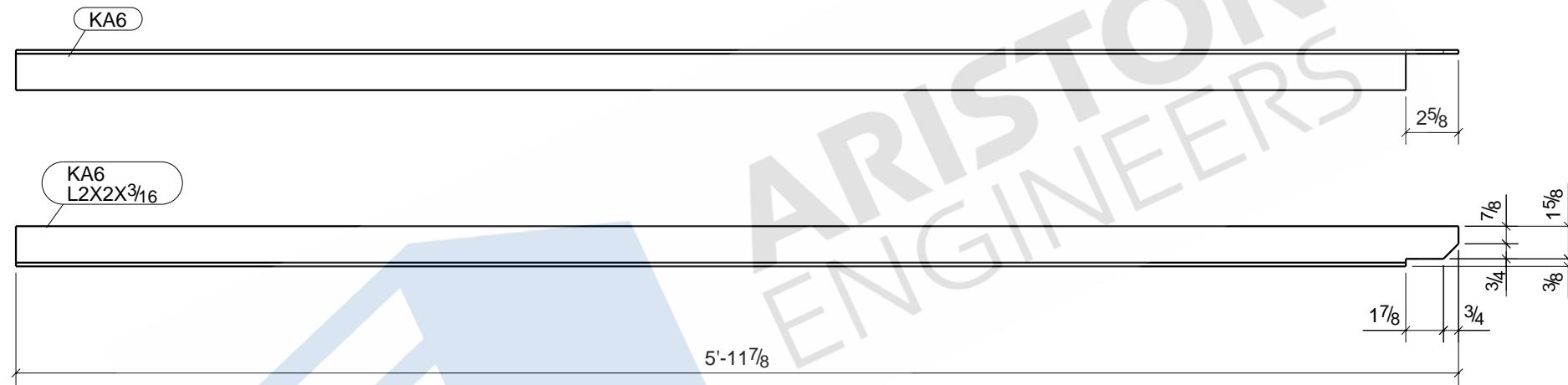


4 - KICKER ANGLES - KA5

BILL OF MATERIAL

MARK	QTY	DESCRIPTION	LENGTH	WEIGHT	REMARKS
KA5	4	KICKER ANGLES			SQ-2
KA5	4	L2X2X3/16	5'-11 7/16"	58	GREY PRIMER A36
TOTAL WEIGHT THIS DRAWING				58	

REV	DESCRIPTION	DATE
DESCRIPTION		KICKER ANGLE
PROJECT NAME		NEW ANNEX BUILDING
GC NAME		
DRAWN BY	NSP	JOB No.
DATE DRAWN		DRG No. KA5

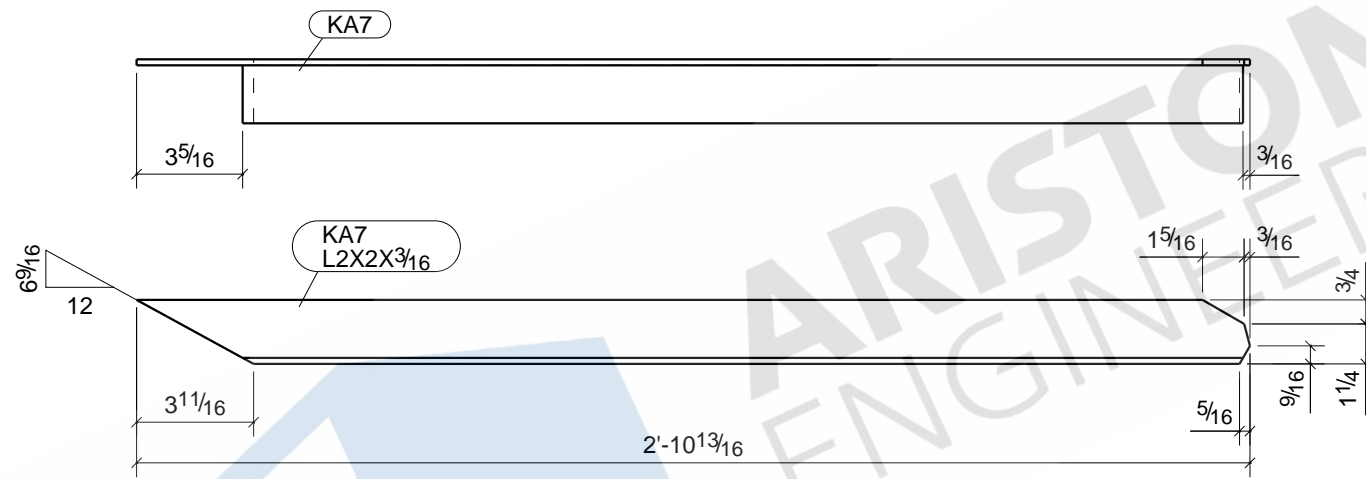


8 - KICKER ANGLES - KA6

BILL OF MATERIAL

MARK	QTY	DESCRIPTION	LENGTH	WEIGHT	REMARKS
KA6	8	KICKER ANGLES			SQ-2
KA6	8	L2X2X3/16	5'-11 7/8"	117	GREY PRIMER A36
TOTAL WEIGHT THIS DRAWING				117	

REV	DESCRIPTION	DATE
DESCRIPTION		KICKER ANGLE
PROJECT NAME		NEW ANNEX BUILDING
GC NAME		
DRAWN BY	NSP	JOB No.
DATE DRAWN		DRG No. KA6

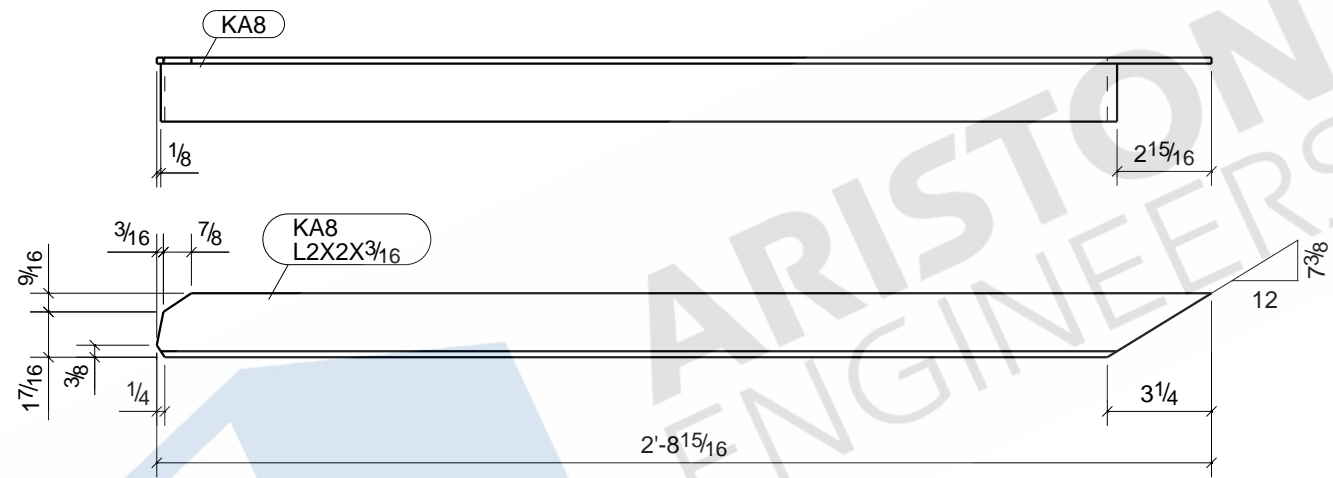


ONE - KICKER ANGLE - KA7

BILL OF MATERIAL

MARK	QTY	DESCRIPTION	LENGTH	WEIGHT	REMARKS
KA7	1	KICKER ANGLE			SQ-1/BEV-1
KA7	1	L2X2X3/16	2'-10 13/16"	7	GREY PRIMER A36
TOTAL WEIGHT THIS DRAWING				7	

REV	DESCRIPTION	DATE
DESCRIPTION		KICKER ANGLE
PROJECT NAME		NEW ANNEX BUILDING
GC NAME		
DRAWN BY	NSP	JOB No.
DATE DRAWN		DRG No.
		KA7

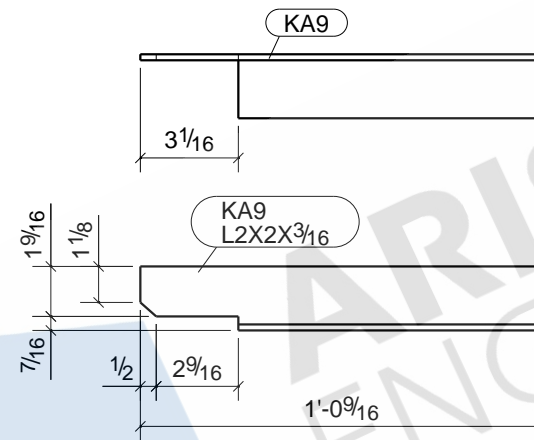


3 - KICKER ANGLES - KA8

BILL OF MATERIAL

MARK	QTY	DESCRIPTION	LENGTH	WEIGHT	REMARKS
KA8	3	KICKER ANGLES			BEV-2
KA8	3	L2X2X3/16	2'-8 15/16"	20	GREY PRIMER A36
TOTAL WEIGHT THIS DRAWING				20	

REV	DESCRIPTION	DATE
DESCRIPTION		KICKER ANGLE
PROJECT NAME		NEW ANNEX BUILDING
GC NAME		
DRAWN BY	NSP	JOB No.
DATE DRAWN		DRG No.
		KA8

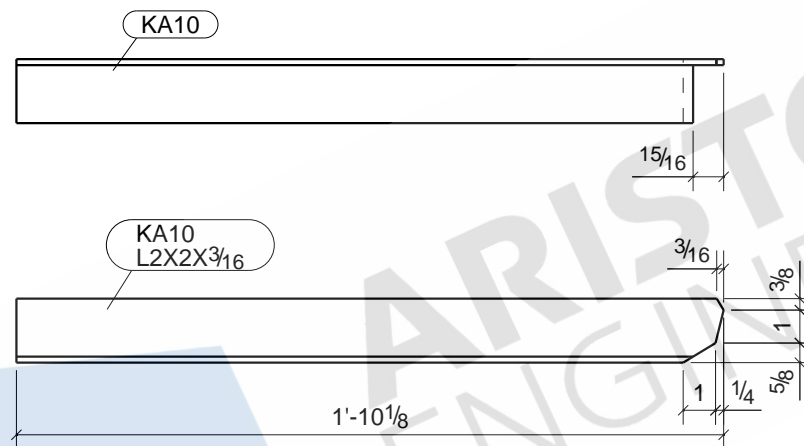


4 - KICKER ANGLES - KA9

BILL OF MATERIAL

MARK	QTY	DESCRIPTION	LENGTH	WEIGHT	REMARKS
KA9	4	KICKER ANGLES			SQ-2
KA9	4	L2X2X3/16	1'-0 9/16"	10	GREY PRIMER A36
TOTAL WEIGHT THIS DRAWING				10	

REV	DESCRIPTION	DATE
DESCRIPTION		KICKER ANGLE
PROJECT NAME		NEW ANNEX BUILDING
GC NAME		
DRAWN BY	NSP	JOB No.
DATE DRAWN		DRG No.
		KA9

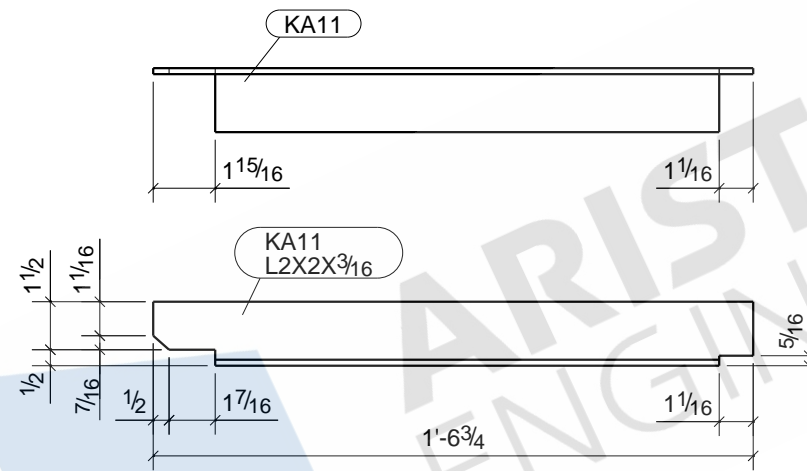


4 - KICKER ANGLES - KA10

BILL OF MATERIAL

MARK	QTY	DESCRIPTION	LENGTH	WEIGHT	REMARKS
KA10	4	KICKER ANGLES			SQ-1/BEV-1
KA10	4	L2X2X3/16	1'-10 1/8"	18	GREY PRIMER A36
TOTAL WEIGHT THIS DRAWING				18	

REV	DESCRIPTION	DATE
DESCRIPTION		KICKER ANGLE
PROJECT NAME		NEW ANNEX BUILDING
GC NAME		
DRAWN BY	NSP	JOB No.
DATE DRAWN		DRG No. KA10

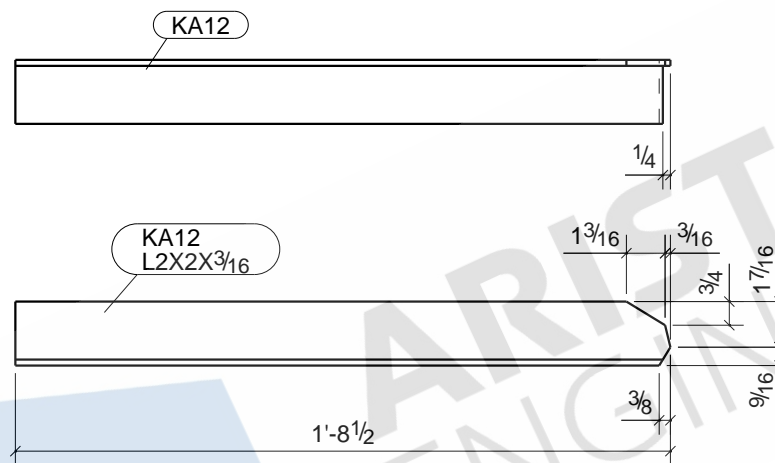


2 - KICKER ANGLES - KA11

BILL OF MATERIAL

MARK	QTY	DESCRIPTION	LENGTH	WEIGHT	REMARKS
KA11	2	KICKER ANGLES			SQ-2
KA11	2	L2X2X3/16	1'-6 3/4"	8	GREY PRIMER A36
TOTAL WEIGHT THIS DRAWING				8	

REV	DESCRIPTION	DATE
DESCRIPTION		KICKER ANGLE
PROJECT NAME		NEW ANNEX BUILDING
GC NAME		
DRAWN BY	NSP	JOB No.
DATE DRAWN		DRG No. KA11

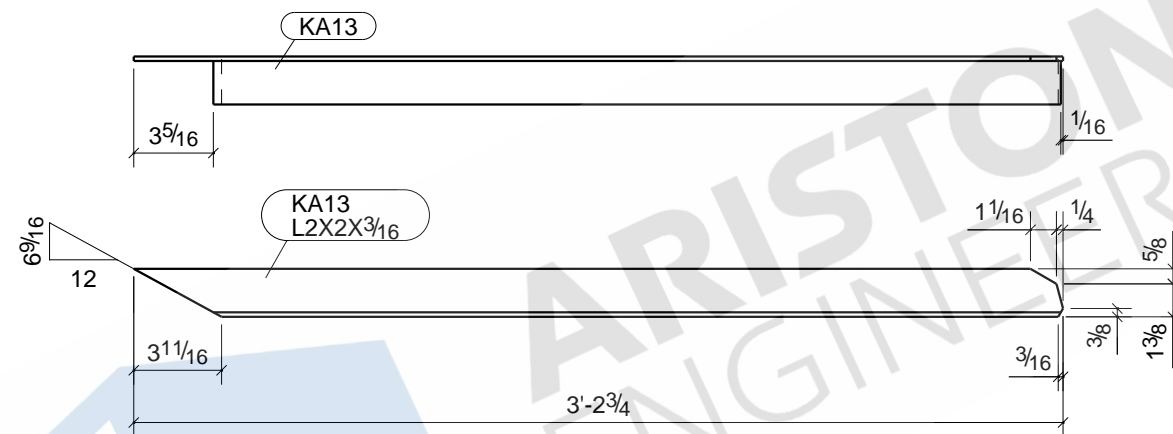


2 - KICKER ANGLES - KA12

BILL OF MATERIAL

MARK	QTY	DESCRIPTION	LENGTH	WEIGHT	REMARKS
KA12	2	KICKER ANGLES			SQ-2
KA12	2	L2X2X3/16	1'-8 1/2"	8	GREY PRIMER A36
TOTAL WEIGHT THIS DRAWING				8	

REV	DESCRIPTION	DATE
	DESCRIPTION	KICKER ANGLE
	PROJECT NAME	NEW ANNEX BUILDING
	GC NAME	
	DRAWN BY	NSP
	DATE DRAWN	
	JOB No.	DRG No.
		KA12

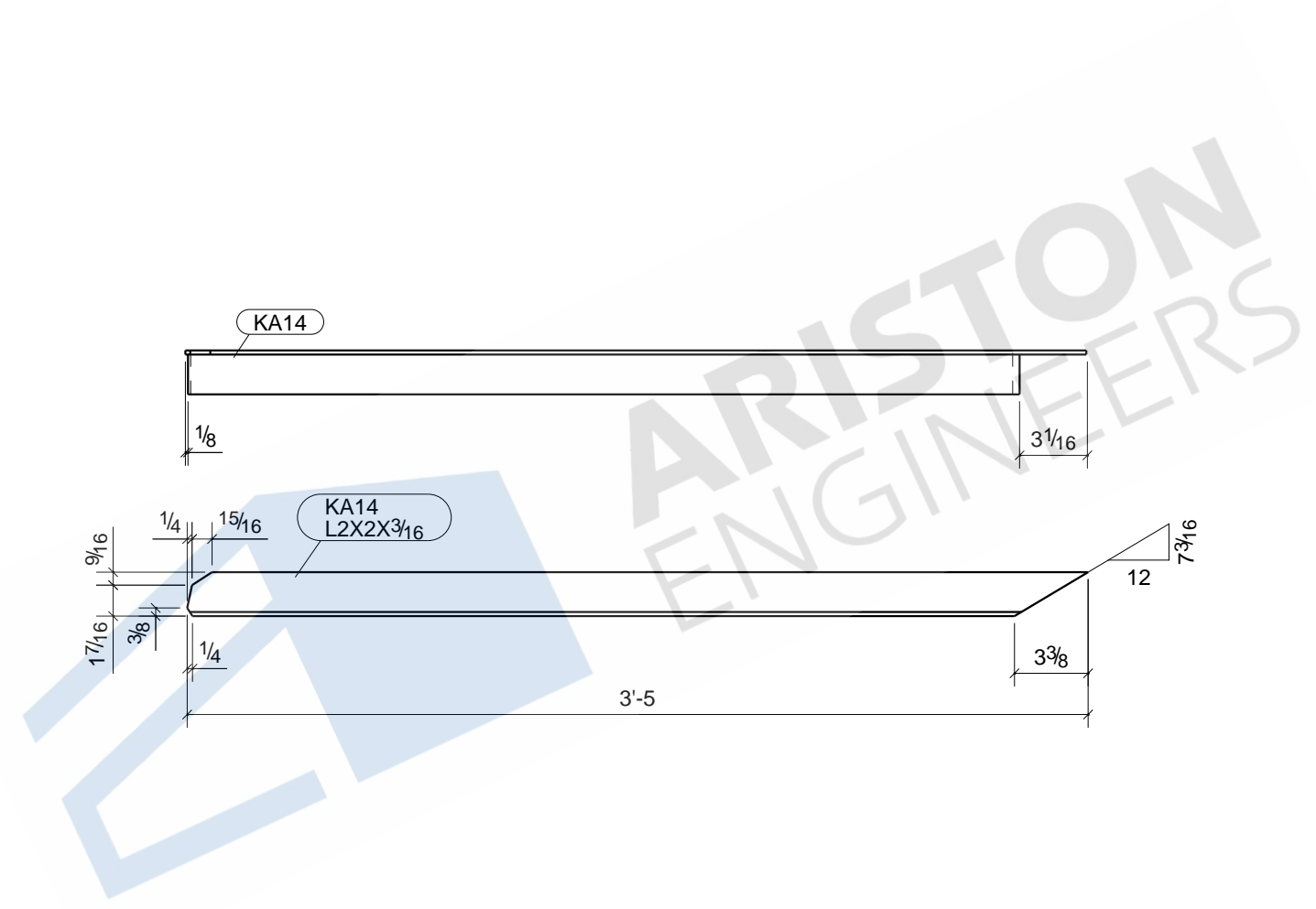


2 - KICKER ANGLES - KA13

BILL OF MATERIAL

MARK	QTY	DESCRIPTION	LENGTH	WEIGHT	REMARKS
KA13	2	KICKER ANGLES			BEV-2
KA13	2	L2X2X3/16	3'-2 3/4"	16	GREY PRIMER A36
TOTAL WEIGHT THIS DRAWING				16	

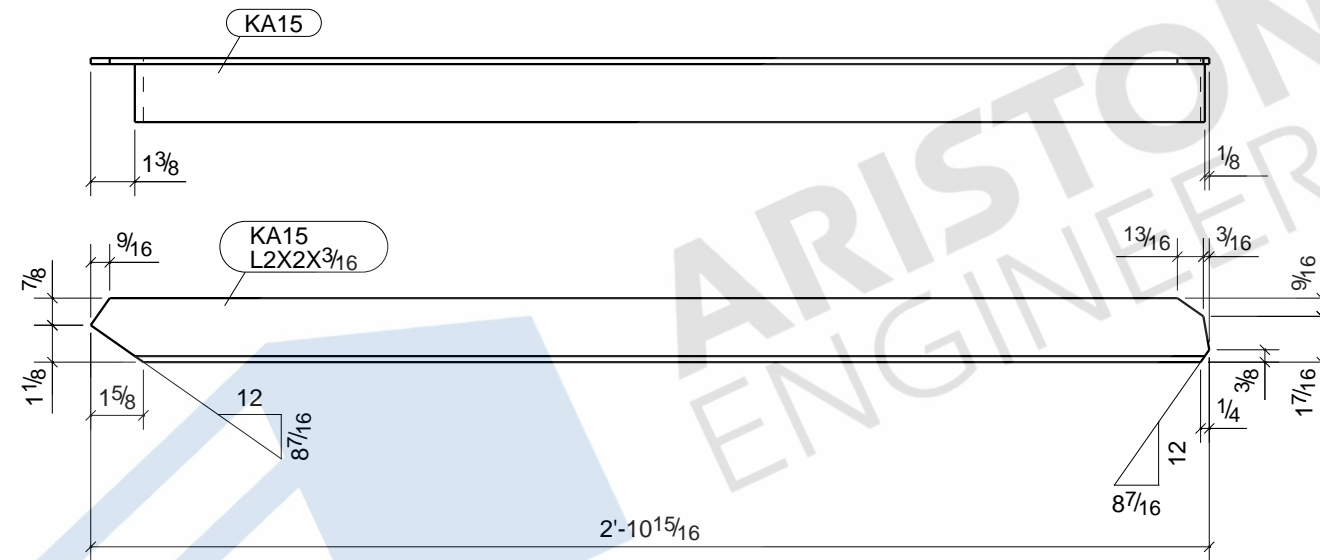
REV	DESCRIPTION	DATE
DESCRIPTION		KICKER ANGLE
PROJECT NAME		NEW ANNEX BUILDING
GC NAME		
DRAWN BY	NSP	JOB No.
DATE DRAWN		DRG No. KA13



4 - KICKER ANGLES - KA14

BILL OF MATERIAL					
MARK	QTY	DESCRIPTION	LENGTH	WEIGHT	REMARKS
KA14	4	KICKER ANGLES			BEV-2
KA14	4	L2X2X3/16	3'-5"	33	GREY PRIMER A36
TOTAL WEIGHT THIS DRAWING				33	

REV	DESCRIPTION	DATE
DESCRIPTION		KICKER ANGLE
PROJECT NAME		NEW ANNEX BUILDING
GC NAME		
DRAWN BY	NSP	JOB No.
DATE DRAWN		DRG No.
		KA14

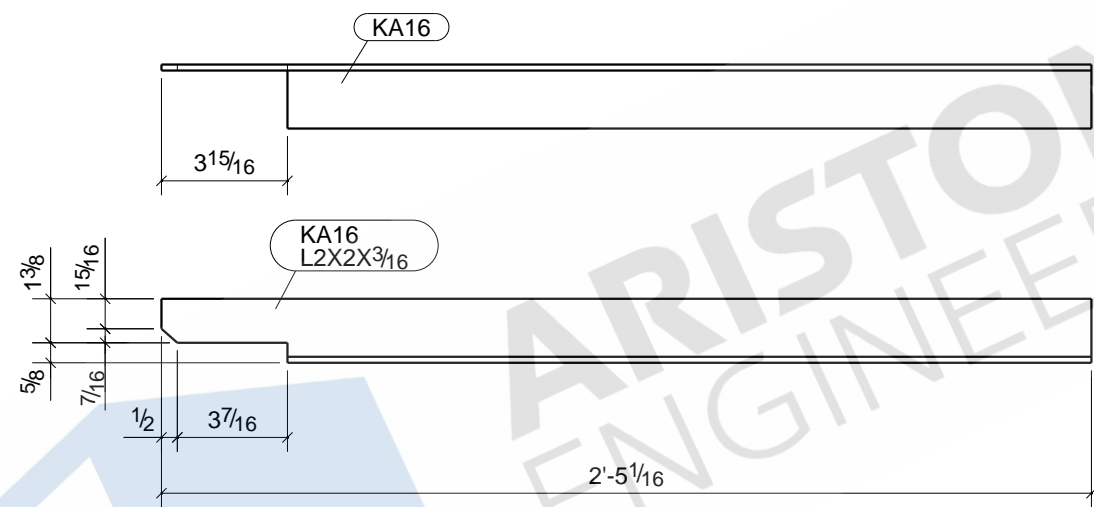


5 - KICKER ANGLES - KA15

BILL OF MATERIAL

MARK	QTY	DESCRIPTION	LENGTH	WEIGHT	REMARKS
KA15	5	KICKER ANGLES			BEV-2
KA15	5	L2X2X3/16	2'-10 15/16"	35	GREY PRIMER A36
TOTAL WEIGHT THIS DRAWING				35	

REV	DESCRIPTION	DATE
DESCRIPTION		KICKER ANGLE
PROJECT NAME		NEW ANNEX BUILDING
GC NAME		
DRAWN BY	NSP	JOB No.
DATE DRAWN		DRG No. KA15



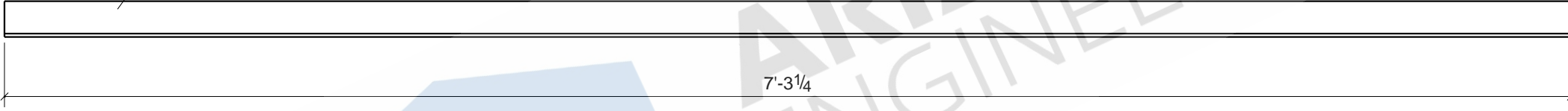
4 - KICKER ANGLES - KA16

BILL OF MATERIAL

MARK	QTY	DESCRIPTION	LENGTH	WEIGHT	REMARKS
KA16	4	KICKER ANGLES			SQ-2
KA16	4	L2X2X3/16	2'-5 1/16"	24	GREY PRIMER A36
TOTAL WEIGHT THIS DRAWING				24	

REV	DESCRIPTION	DATE
DESCRIPTION		KICKER ANGLE
PROJECT NAME		NEW ANNEX BUILDING
GC NAME		
DRAWN BY	NSP	JOB No.
DATE DRAWN		DRG No. KA16

M1
L2X2X3/16



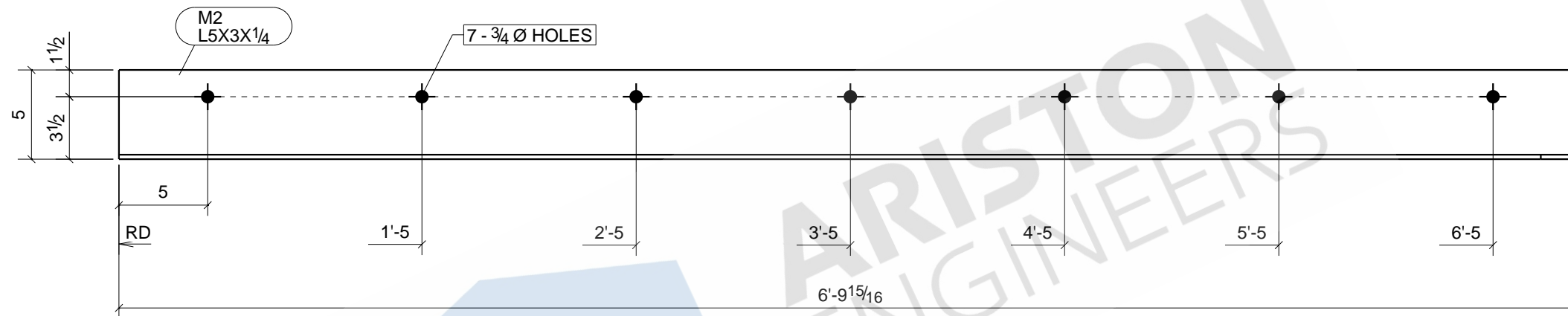
ARISTON
ENGINEERS

ONE - ANGLE - M1

BILL OF MATERIAL

MARK	QTY	DESCRIPTION	LENGTH	WEIGHT	REMARKS
M1	1	ANGLE			SQ-2
M1	1	L2X2X3/16	7'-3 1/4"	18	GREY PRIMER A36
TOTAL WEIGHT THIS DRAWING				18	

REV	DESCRIPTION	DATE
DESCRIPTION		ANGLE
PROJECT NAME		NEW ANNEX BUILDING
GC NAME		
DRAWN BY	NSP	JOB No.
DATE DRAWN		DRG No. M1



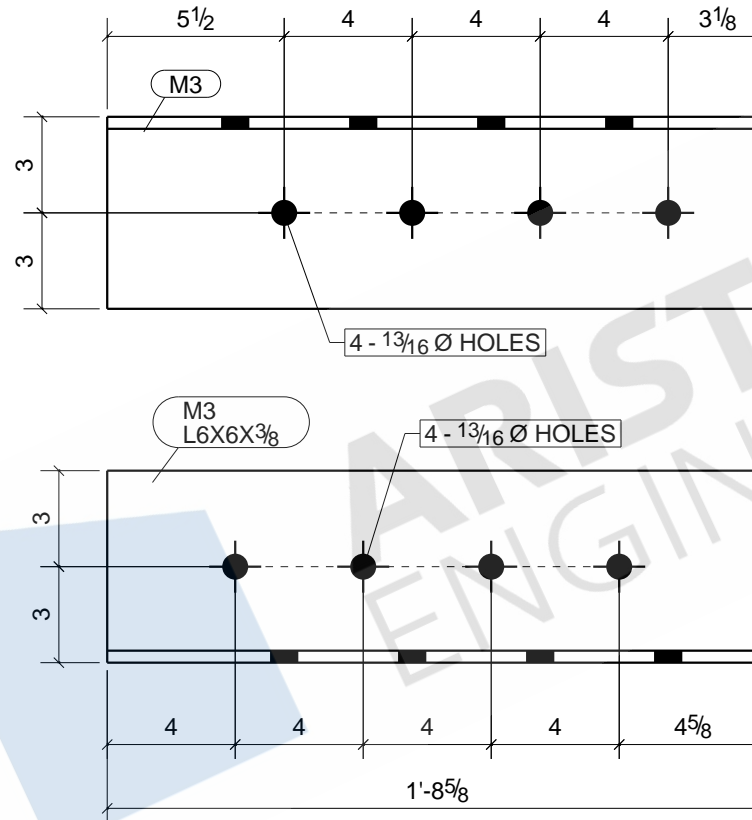
ONE - ANGLE - M2

BILL OF MATERIAL

MARK	QTY	DESCRIPTION	LENGTH	WEIGHT	REMARKS
M2	1	ANGLE			SQ-2
M2	1	L5X3X1/4	6'-9 15/16"	45	GREY PRIMER A36
TOTAL WEIGHT THIS DRAWING				45	

REV	DESCRIPTION	DATE
DESCRIPTION		ANGLE
PROJECT NAME		NEW ANNEX BUILDING
GC NAME		
DRAWN BY	NSP	JOB No.
DATE DRAWN		DRG No.
		M2

GRID LOCATION	BOTTOM ELEVATION
8/K	29'-4"13/16

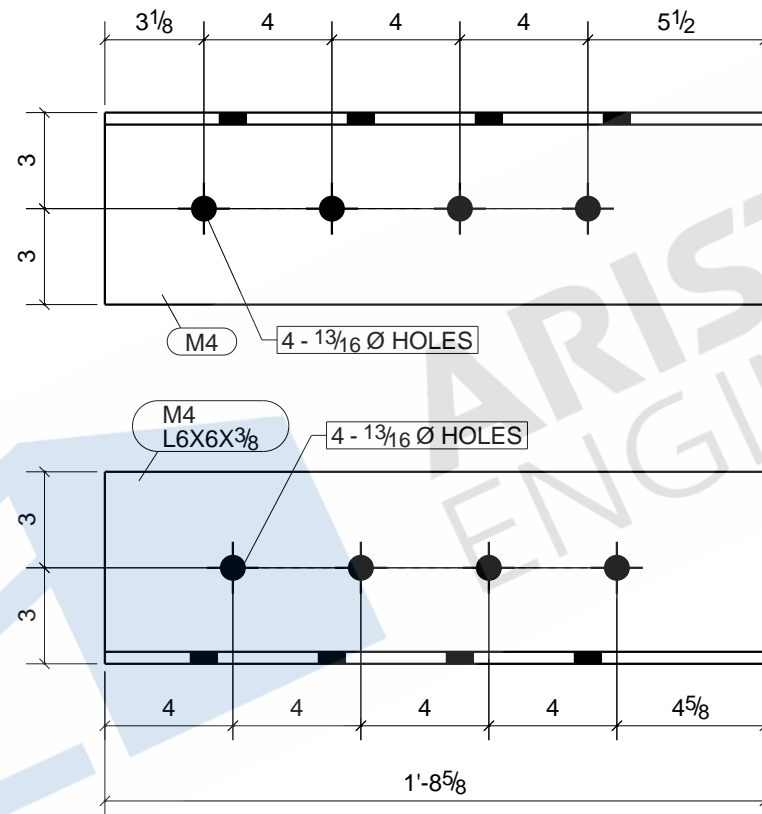


ONE - ANGLE - M3

BILL OF MATERIAL

MARK	QTY	DESCRIPTION	LENGTH	WEIGHT	REMARKS
M3	1	ANGLE			SQ-2
M3	1	L6X6X3/8	1'-8 5/8"	26	GREY PRIMER A36
TOTAL WEIGHT THIS DRAWING				26	

REV	DESCRIPTION	DATE
DESCRIPTION		ANGLE
PROJECT NAME		NEW ANNEX BUILDING
GC NAME		
DRAWN BY	NSP	JOB No.
DATE DRAWN		DRG No.
		M3

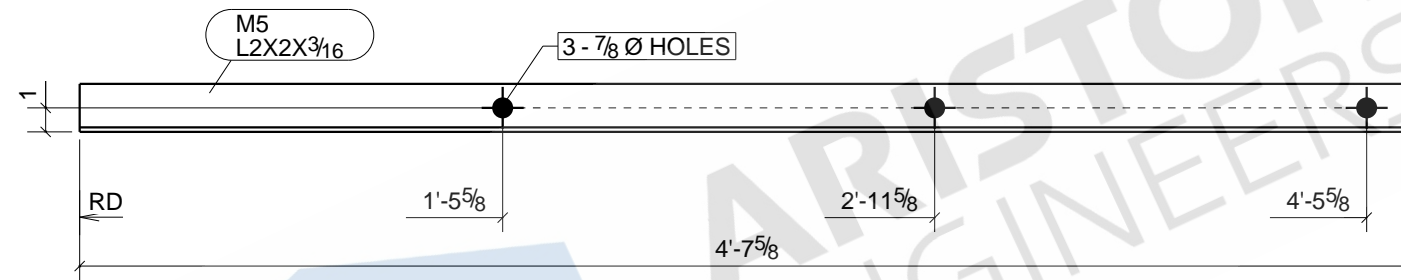


ONE - ANGLE - M4

BILL OF MATERIAL

MARK	QTY	DESCRIPTION	LENGTH	WEIGHT	REMARKS
M4	1	ANGLE			SQ-2
M4	1	L6X6X3/8	1'-8 5/8"	26	GREY PRIMER A36
TOTAL WEIGHT THIS DRAWING				26	

REV	DESCRIPTION	DATE
DESCRIPTION		ANGLE
PROJECT NAME		NEW ANNEX BUILDING
GC NAME		
DRAWN BY		NSP
DATE DRAWN		
JOB No.		DRG No.
		M4

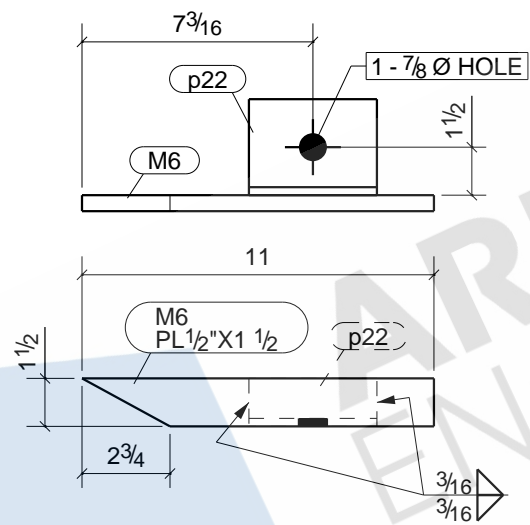


ONE - ANGLE - M5

BILL OF MATERIAL

MARK	QTY	DESCRIPTION	LENGTH	WEIGHT	REMARKS
M5	1	ANGLE			SQ-2
M5	1	L2X2X3/16	4'-7 5/8"	11	GREY PRIMER A36
TOTAL WEIGHT THIS DRAWING				11	

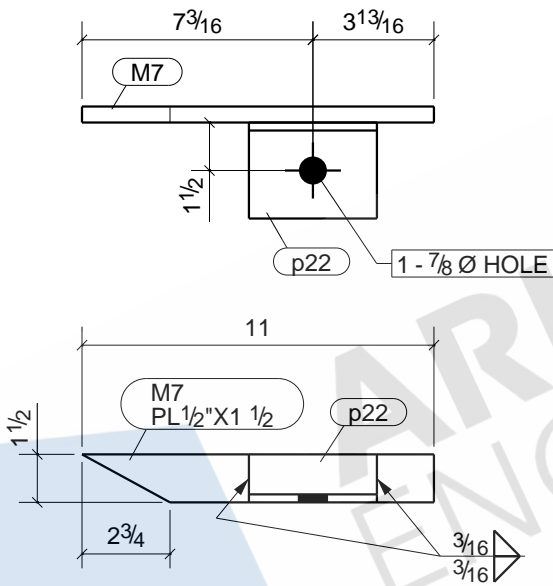
REV	DESCRIPTION	DATE
DESCRIPTION		ANGLE
PROJECT NAME		NEW ANNEX BUILDING
GC NAME		
DRAWN BY	NSP	JOB No.
DATE DRAWN		DRG No.
		M5



2 - PLATES - M6

BILL OF MATERIAL

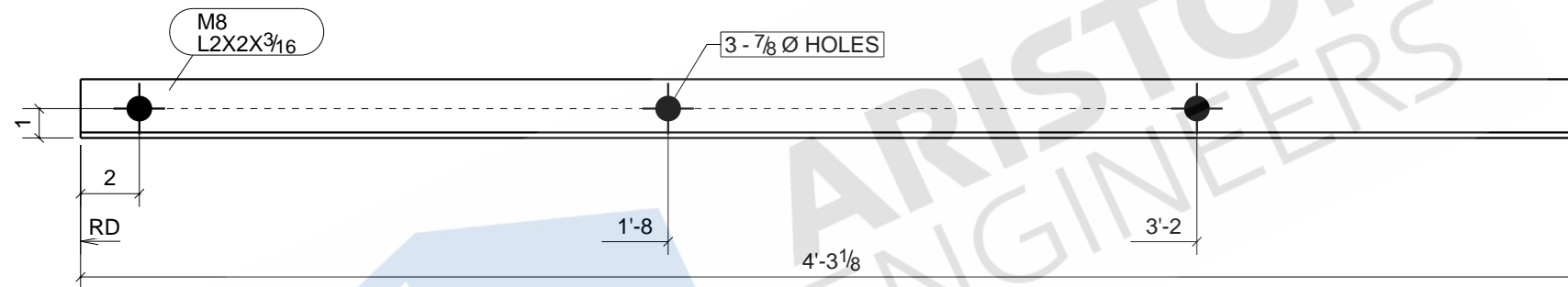
BILL OF MATERIAL						REV	DESCRIPTION	DATE
MARK	QTY	DESCRIPTION	LENGTH	WEIGHT	REMARKS	DESCRIPTION	PLATE	
M6	2	PLATES			SQ-1/BEV-1	PROJECT NAME	NEW ANNEX BUILDING	
M6	2	FB1/2"X1 1/2"	0'-11"	4	PAINT "P2" A36	GC NAME		
p22	2	FB1/4"X4"	0'-4"	2	A36	DRAWN BY	NSP	JOB No.
TOTAL WEIGHT THIS DRAWING				7		DATE DRAWN		DRG No.
								M6



ONE - PLATE - M7

BILL OF MATERIAL

BILL OF MATERIAL						REV	DESCRIPTION	DATE
MARK	QTY	DESCRIPTION	LENGTH	WEIGHT	REMARKS	PLATE		
M7	1	PLATE			SQ-1/BEV-1	PROJECT NAME NEW ANNEX BUILDING		
M7	1	FB1/2"X1 1/2"	0'-11"	2	PAINT "P2" A36	GC NAME		
p22	1	FB1/4"X4"	0'-4"	1	A36	DRAWN BY	NSP	JOB No.
TOTAL WEIGHT THIS DRAWING				3		DATE DRAWN		DRG No. M7

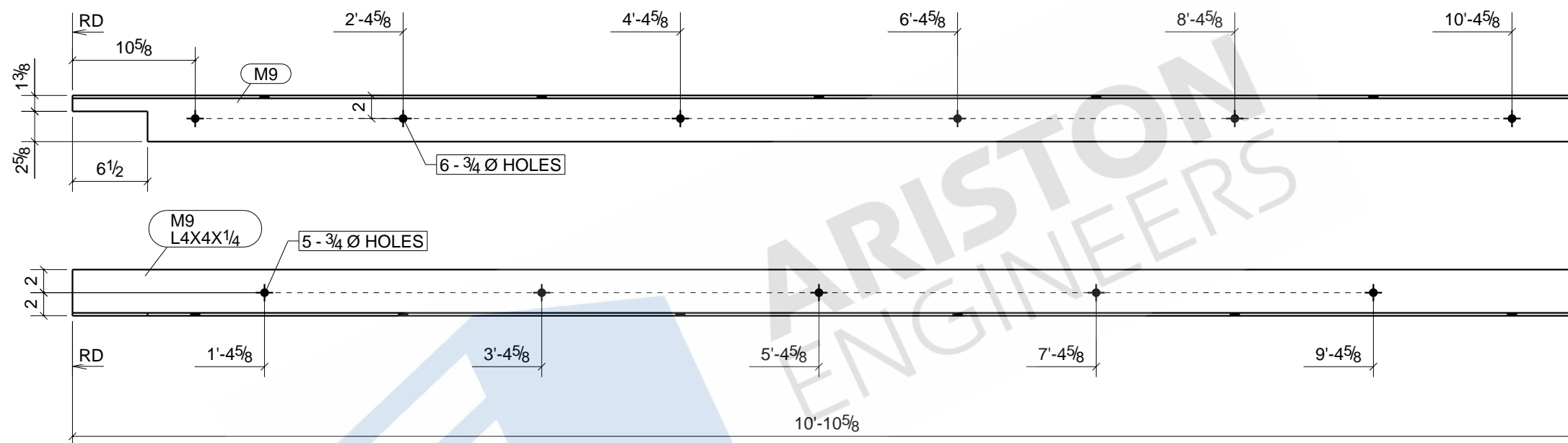


ONE - ANGLE - M8

BILL OF MATERIAL

MARK	QTY	DESCRIPTION	LENGTH	WEIGHT	REMARKS
M8	1	ANGLE			SQ-2
M8	1	L2X2X3/16	4'-3 1/8"	10	GREY PRIMER A36
TOTAL WEIGHT THIS DRAWING				10	

REV	DESCRIPTION	DATE
DESCRIPTION		ANGLE
PROJECT NAME		NEW ANNEX BUILDING
GC NAME		
DRAWN BY	NSP	JOB No.
DATE DRAWN		DRG No.
		M8

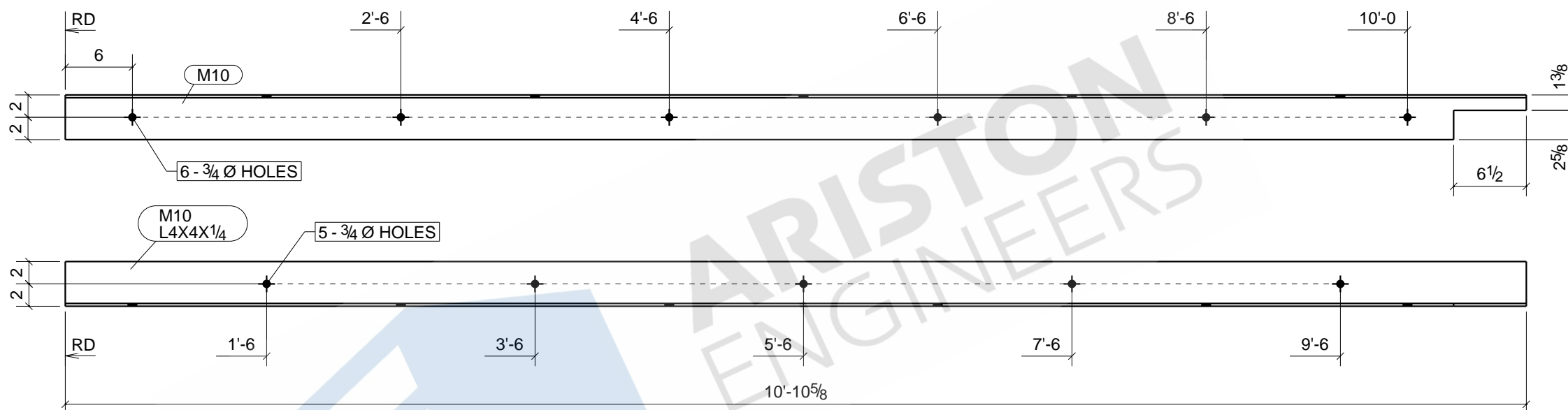


ONE - ANGLE - M9

BILL OF MATERIAL

MARK	QTY	DESCRIPTION	LENGTH	WEIGHT	REMARKS
M9	1	ANGLE			SQ-2
M9	1	L4X4X1/4	10'-10 5/8"	71	GREY PRIMER A36
TOTAL WEIGHT THIS DRAWING				71	

REV	DESCRIPTION	DATE
DESCRIPTION		ANGLE
PROJECT NAME		NEW ANNEX BUILDING
GC NAME		
DRAWN BY		NSP
DATE DRAWN		
JOB No.		DRG No.
		M9

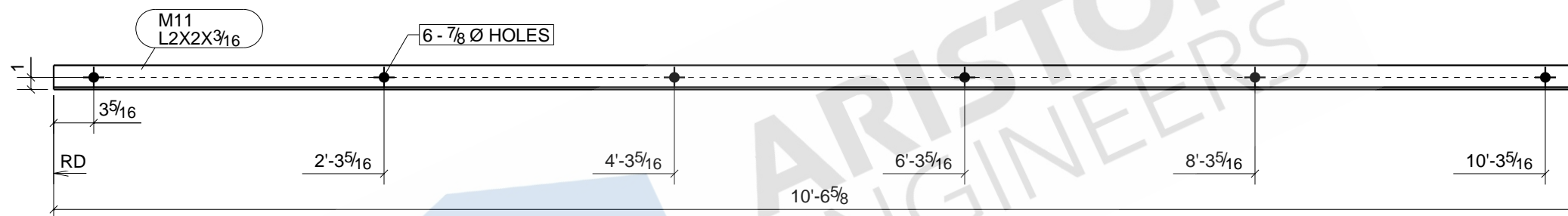


ONE - ANGLE - M10

BILL OF MATERIAL

MARK	QTY	DESCRIPTION	LENGTH	WEIGHT	REMARKS
M10	1	ANGLE			SQ-2
M10	1	L4X4X1/4	10'-10 5/8"	71	GREY PRIMER A36
TOTAL WEIGHT THIS DRAWING				71	

REV	DESCRIPTION	DATE
DESCRIPTION		ANGLE
PROJECT NAME		NEW ANNEX BUILDING
GC NAME		
DRAWN BY	NSP	JOB No.
DATE DRAWN		DRG No.
		M10

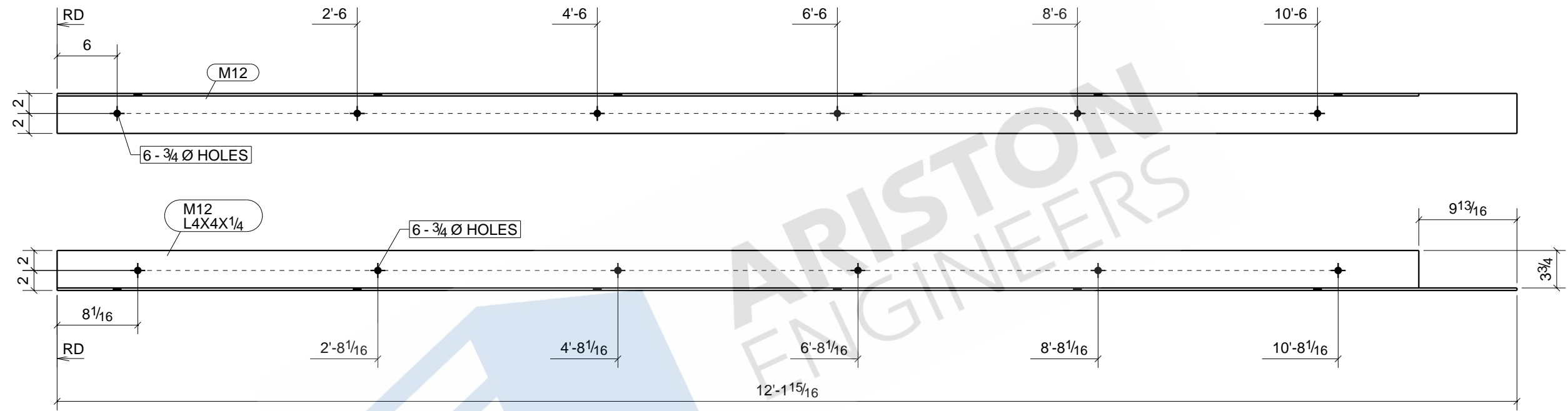


2 - ANGLES - M11

BILL OF MATERIAL

MARK	QTY	DESCRIPTION	LENGTH	WEIGHT	REMARKS
M11	2	ANGLES			SQ-2
M11	2	L2X2X3/16	10'-6 5/8"	51	GREY PRIMER A36
TOTAL WEIGHT THIS DRAWING				51	

REV	DESCRIPTION	DATE
DESCRIPTION		ANGLE
PROJECT NAME		NEW ANNEX BUILDING
GC NAME		
DRAWN BY	NSP	JOB No.
DATE DRAWN		DRG No.
		M11



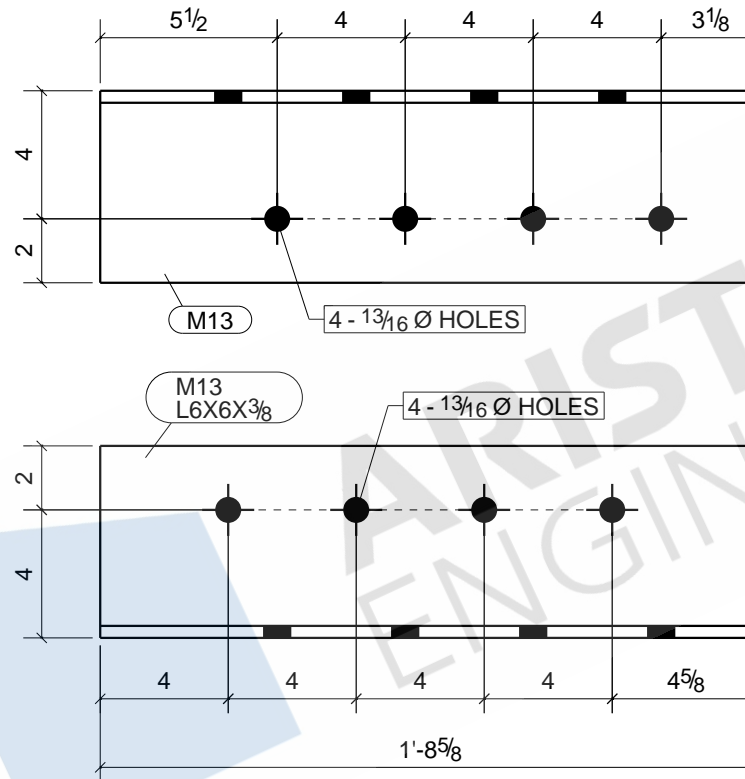
ONE - ANGLE - M12

BILL OF MATERIAL

MARK	QTY	DESCRIPTION	LENGTH	WEIGHT	REMARKS
M12	1	ANGLE			SQ-2
M12	1	L4X4X1/4	12'-1 15/16"	80	GREY PRIMER A36
TOTAL WEIGHT THIS DRAWING				80	

REV	DESCRIPTION	DATE
DESCRIPTION		ANGLE
PROJECT NAME		NEW ANNEX BUILDING
GC NAME		
DRAWN BY	NSP	JOB No.
DATE DRAWN		DRG No.
		M12

GRID LOCATION	BOTTOM ELEVATION
9/K	29'-4"13/16

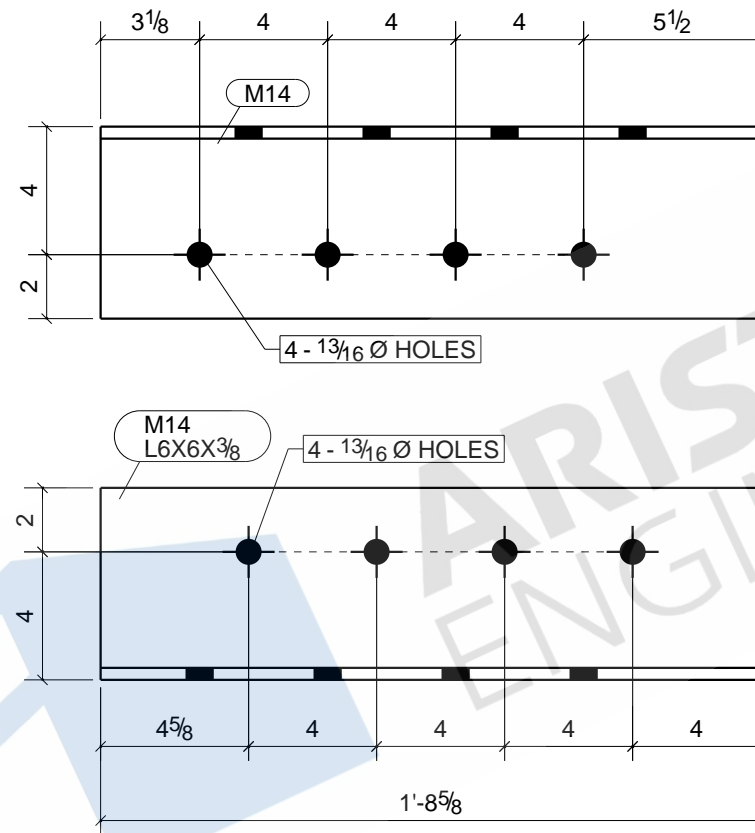


ONE - ANGLE - M13

BILL OF MATERIAL

MARK	QTY	DESCRIPTION	LENGTH	WEIGHT	REMARKS
M13	1	ANGLE			SQ-2
M13	1	L6X6X3/8	1'-8 5/8"	26	GREY PRIMER A36
TOTAL WEIGHT THIS DRAWING				26	

REV	DESCRIPTION	DATE
DESCRIPTION		ANGLE
PROJECT NAME		NEW ANNEX BUILDING
GC NAME		
DRAWN BY	NSP	JOB No.
DATE DRAWN		DRG No.
		M13



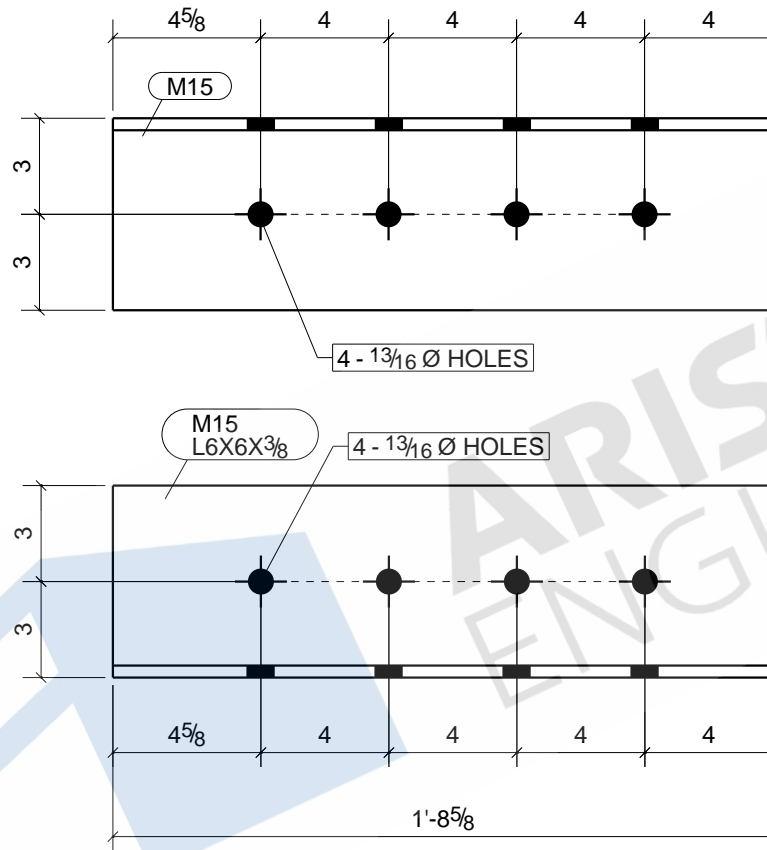
ONE - ANGLE - M14

BILL OF MATERIAL

MARK	QTY	DESCRIPTION	LENGTH	WEIGHT	REMARKS
M14	1	ANGLE			SQ-2
M14	1	L6X6X3/8	1'-8 5/8"	26	GREY PRIMER A36
TOTAL WEIGHT THIS DRAWING				26	

REV	DESCRIPTION	DATE
DESCRIPTION		ANGLE
PROJECT NAME		NEW ANNEX BUILDING
GC NAME		
DRAWN BY	NSP	JOB No.
DATE DRAWN		DRG No.
		M14

GRID LOCATION	BOTTOM ELEVATION
9/E	12'-10"7/8



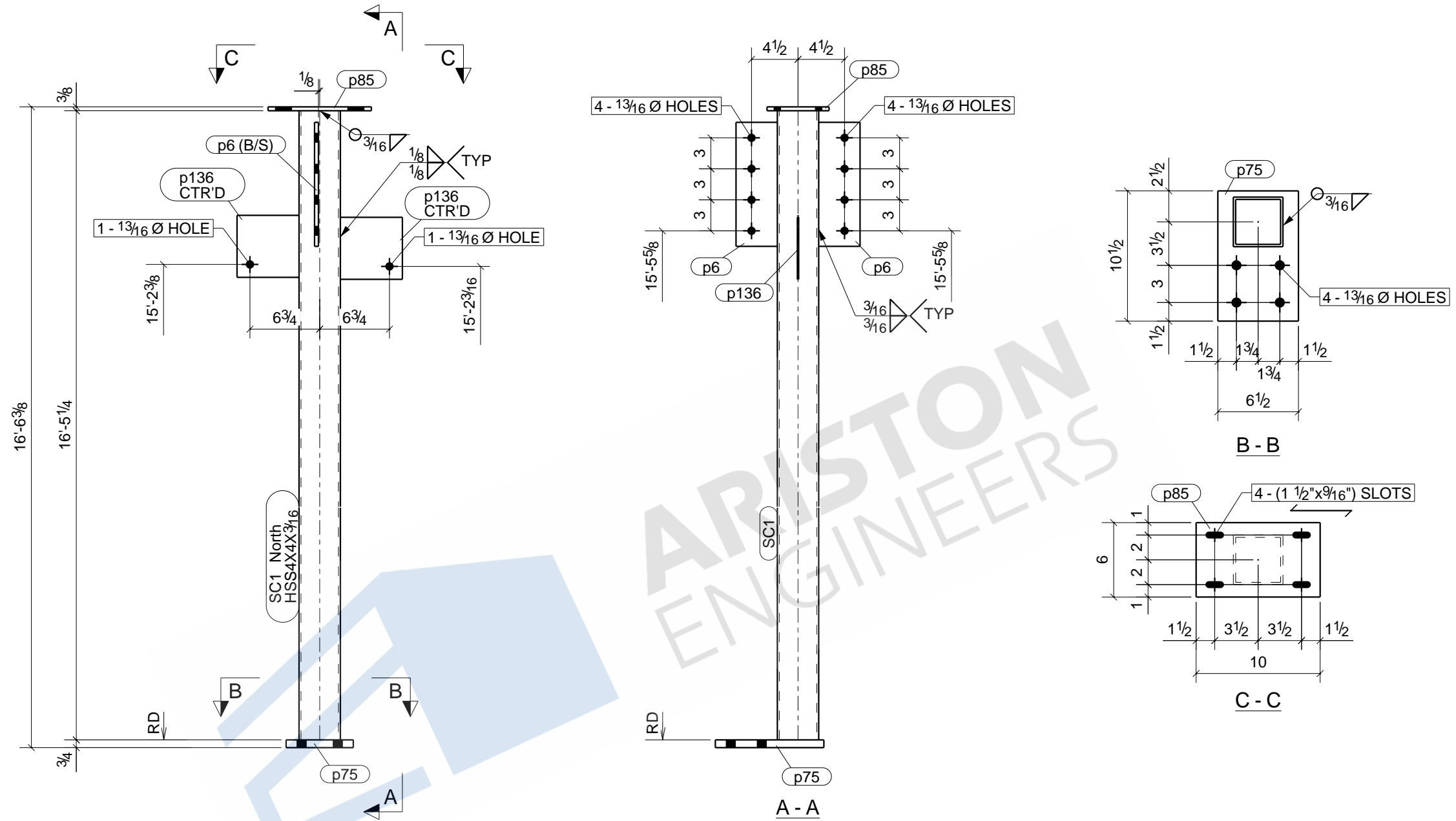
2 - ANGLES - M15

BILL OF MATERIAL

MARK	QTY	DESCRIPTION	LENGTH	WEIGHT	REMARKS
M15	2	ANGLES			SQ-2
M15	2	L6X6X3/8	1'-8 5/8"	51	GREY PRIMER A36
TOTAL WEIGHT THIS DRAWING				51	

REV	DESCRIPTION	DATE
DESCRIPTION		ANGLE
PROJECT NAME		NEW ANNEX BUILDING
GC NAME		
DRAWN BY	NSP	JOB No.
DATE DRAWN		DRG No.
		M15

GRID LOCATION	BOTTOM ELEVATION
3/J	14'-6"1/2

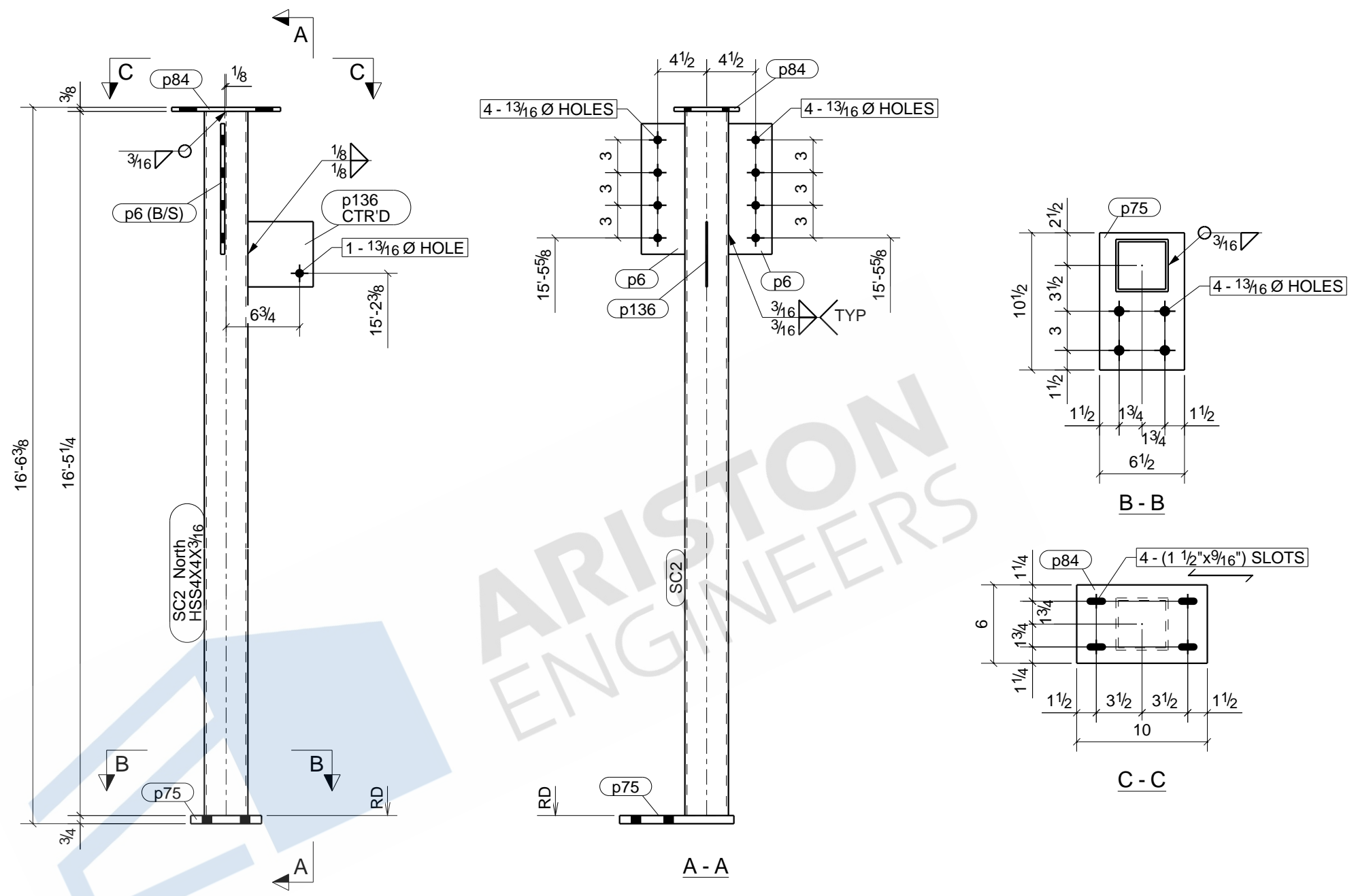


ONE - STUB COLUMN - SC1

BILL OF MATERIAL

BILL OF MATERIAL						REV	DESCRIPTION	DATE
MARK	QTY	DESCRIPTION	LENGTH	WEIGHT	REMARKS			
SC1	1	STUB COLUMN			SQ-2			
SC1	1	HSS4X4X3/16	16'-5 1/4"	144	GREY PRIMER A500-GR.B			
p6	2	FB3/8"x4"	1'-0"	10	A36	DESCRIPTION	STUB COLUMN	
p75	1	FB3/4"x6 1/2"	0'-10 1/2"	15	A36	PROJECT NAME	NEW ANNEX BUILDING	
p85	1	FB3/8"x6"	0'-10"	6	A36	GC NAME		
p136	2	FB1/8"x6"	0'-6"	3	A36	DRAWN BY	NSP	JOB No.
TOTAL WEIGHT THIS DRAWING				178		DATE DRAWN		DRG No.
								SC1

GRID LOCATION	BOTTOM ELEVATION
3/F	14'-6"1/2



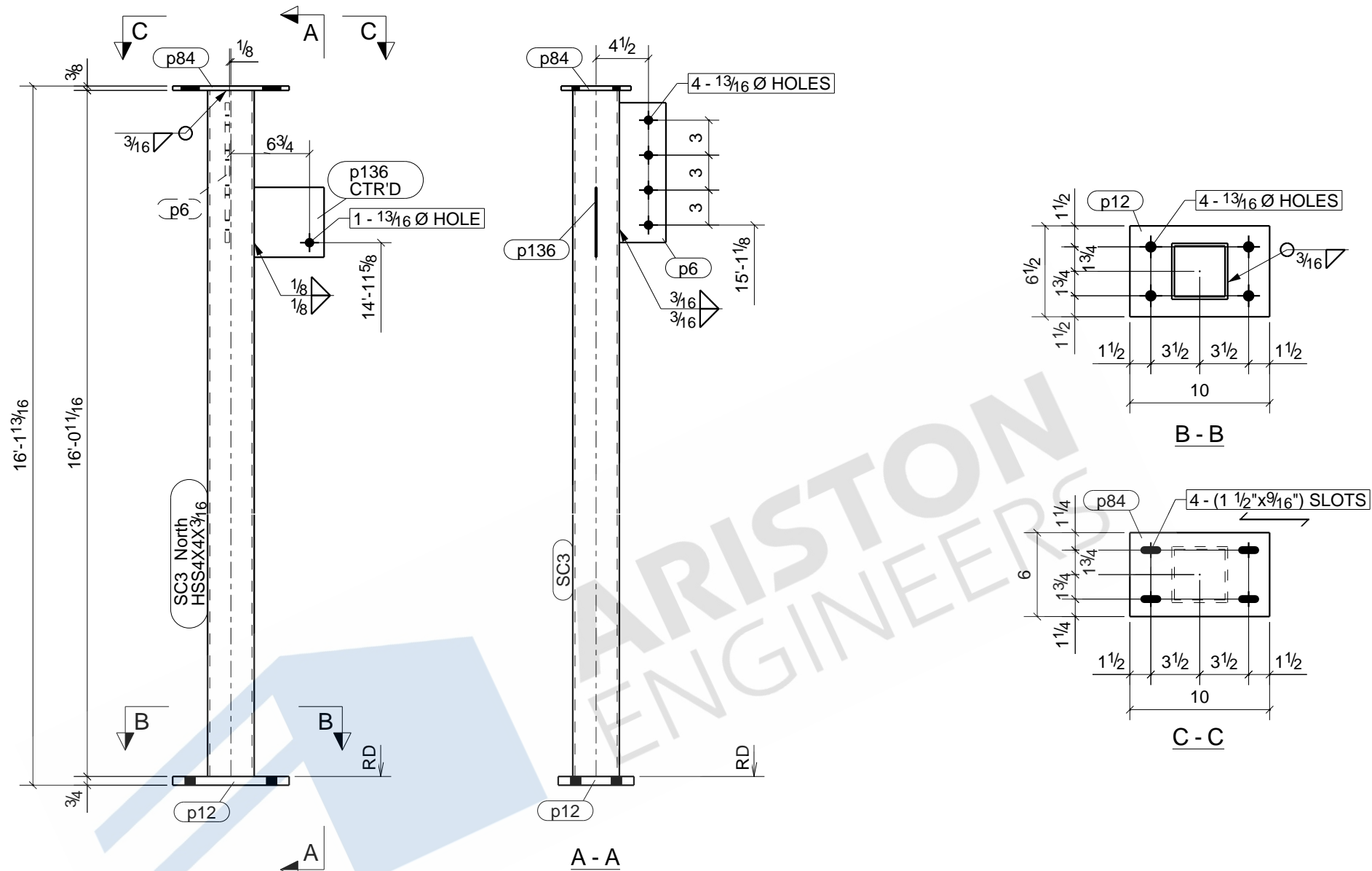
ONE - STUB COLUMN - SC2

BILL OF MATERIAL

BILL OF MATERIAL						REV	DESCRIPTION	DATE
MARK	QTY	DESCRIPTION	LENGTH	WEIGHT	REMARKS			
SC2	1	STUB COLUMN			SQ-2			
SC2	1	HSS4X4X3/16	16'-5 1/4"	144	GREY PRIMER A500-GR.B			
p6	2	FB3/8"X4"	1'-0"	10	A36	DESCRIPTION	STUB COLUMN	
p75	1	FB3/4"X6 1/2"	0'-10 1/2"	15	A36	PROJECT NAME	NEW ANNEX BUILDING	
p84	1	FB3/8"X6"	0'-10"	6	A36	GC NAME		
p136	1	FB1/8"X6"	0'-6"	1	A36	DRAWN BY	NSP	JOB No.
TOTAL WEIGHT THIS DRAWING				177		DATE DRAWN		DRG No. SC2

Tekla structures

GRID LOCATION	BOTTOM ELEVATION
4/L	14'-9"

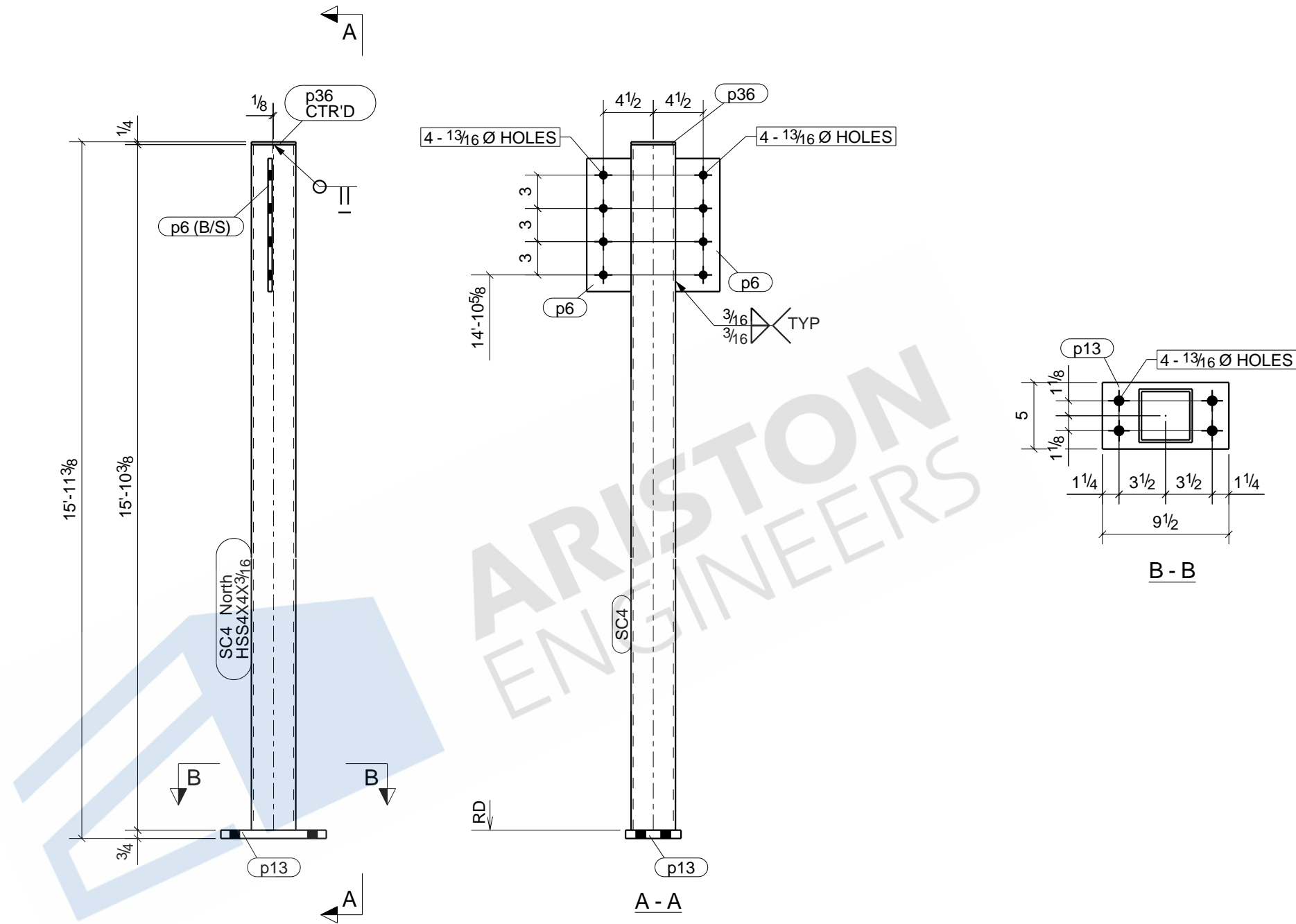


ONE - STUB COLUMN - SC3

BILL OF MATERIAL

BILL OF MATERIAL						REV	DESCRIPTION	DATE
MARK	QTY	DESCRIPTION	LENGTH	WEIGHT	REMARKS			
SC3	1	STUB COLUMN			SQ-2			
SC3	1	HSS4X4X3/16	16'-0 11/16"	141	GREY PRIMER A500-GR.B			
p6	1	FB3/8"x4"	1'-0"	5	A36	DESCRIPTION	STUB COLUMN	
p12	1	FB3/4"x6 1/2"	0'-10"	14	A36	PROJECT NAME	NEW ANNEX BUILDING	
p84	1	FB3/8"x6"	0'-10"	6	A36	GC NAME		
p136	1	FB1/8"x6"	0'-6"	1	A36	DRAWN BY	NSP	JOB No.
TOTAL WEIGHT THIS DRAWING				168		DATE DRAWN		DRG No. SC3

GRID LOCATION	BOTTOM ELEVATION
5/D	14'-9"

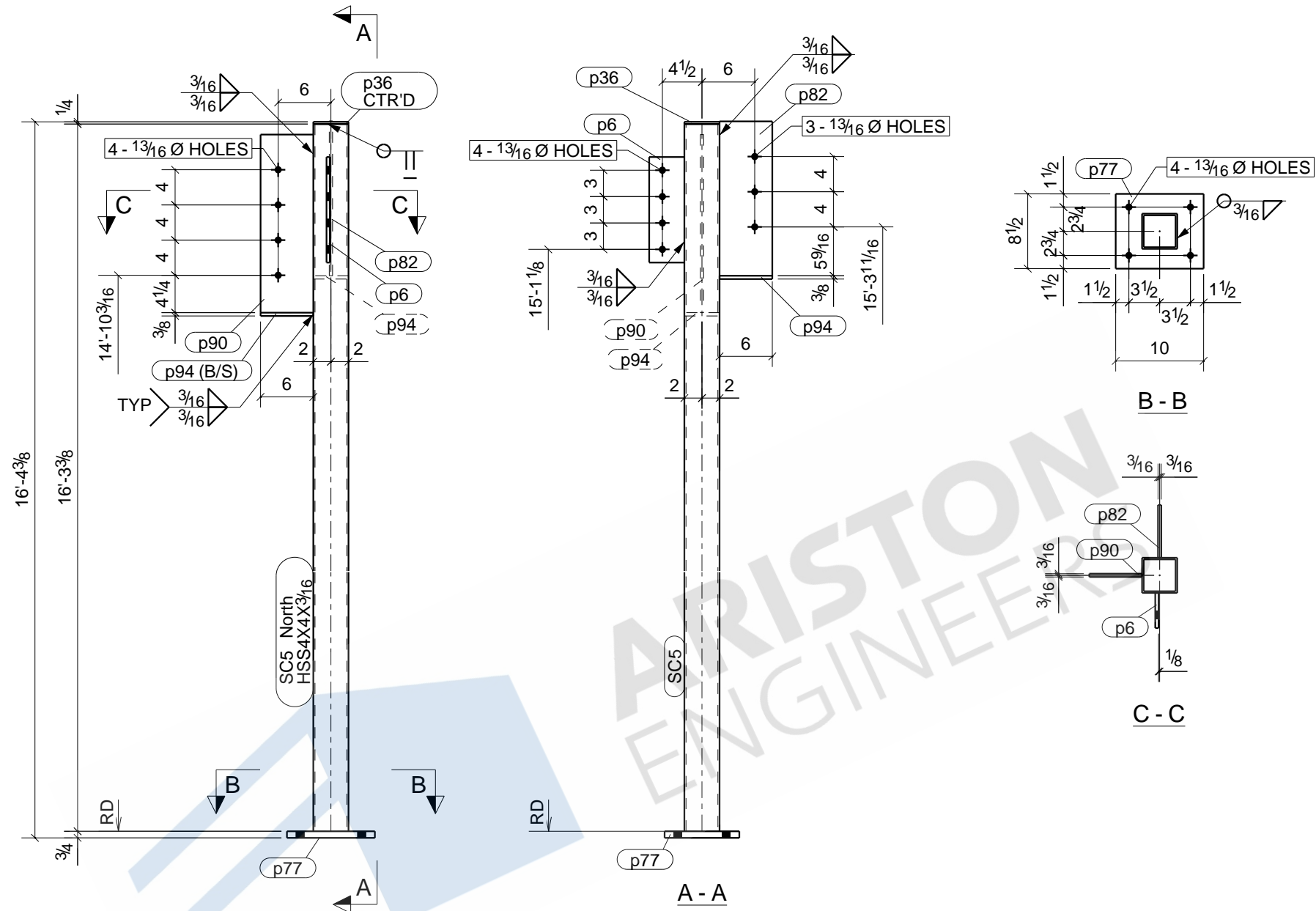


ONE - STUB COLUMN - SC4

BILL OF MATERIAL

MARK	QTY	DESCRIPTION	LENGTH	WEIGHT	REMARKS	REV	DESCRIPTION	DATE	
SC4	1	STUB COLUMN			SQ-2				
SC4	1	HSS4X4X3/16	15'-10 3/8"	139	GREY PRIMER A500-GR.B		STUB COLUMN		
p6	2	FB3/8"X4"	1'-0"	10	A36		PROJECT NAME	NEW ANNEX BUILDING	
p13	1	FB3/4"X5"	0'-9 1/2"	10	A36		GC NAME		
p36	1	FB1/4"X4"	0'-4"	1	A36		DRAWN BY	NSP	
TOTAL WEIGHT THIS DRAWING				161			DATE DRAWN	JOB No.	DRG No. SC4

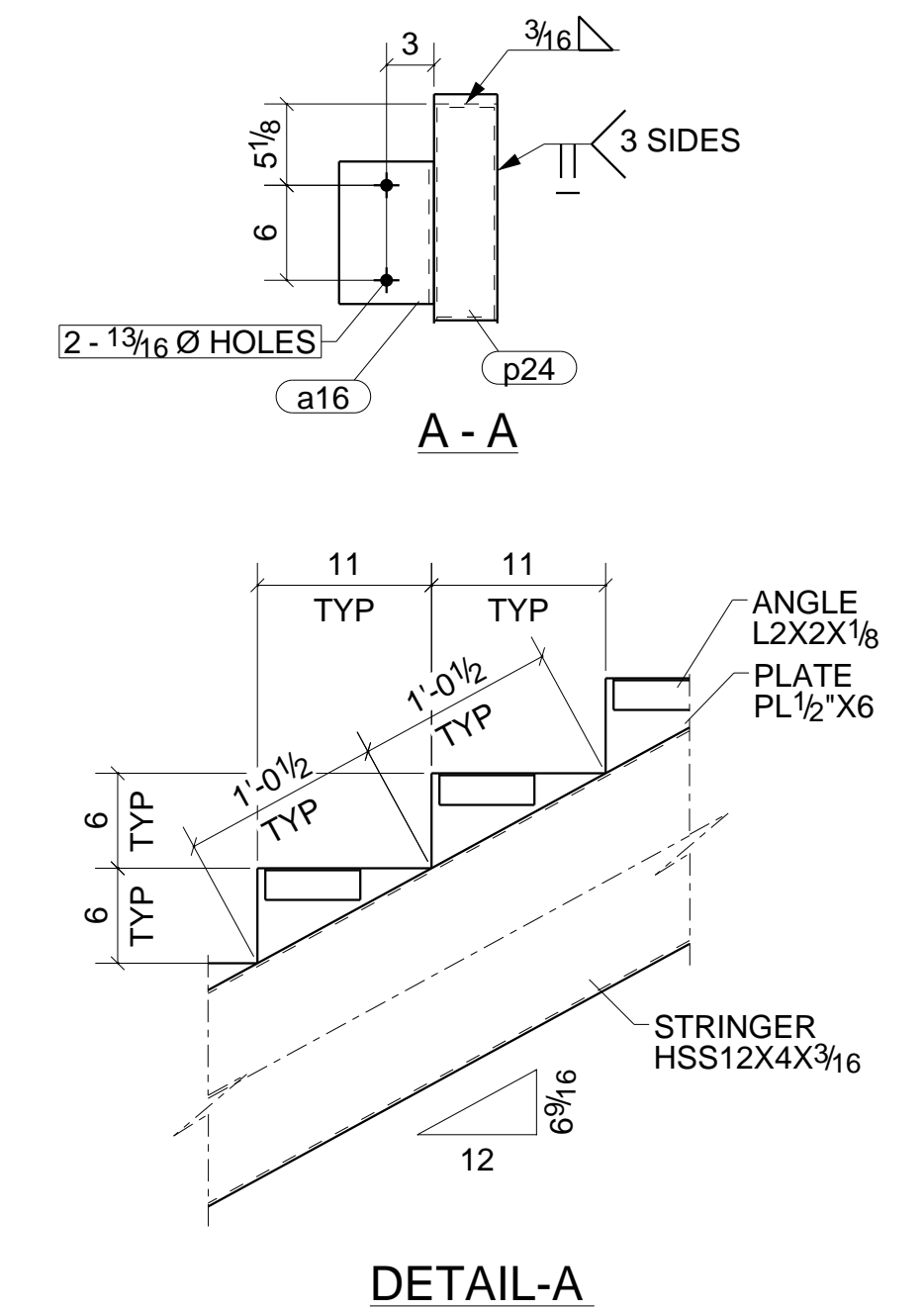
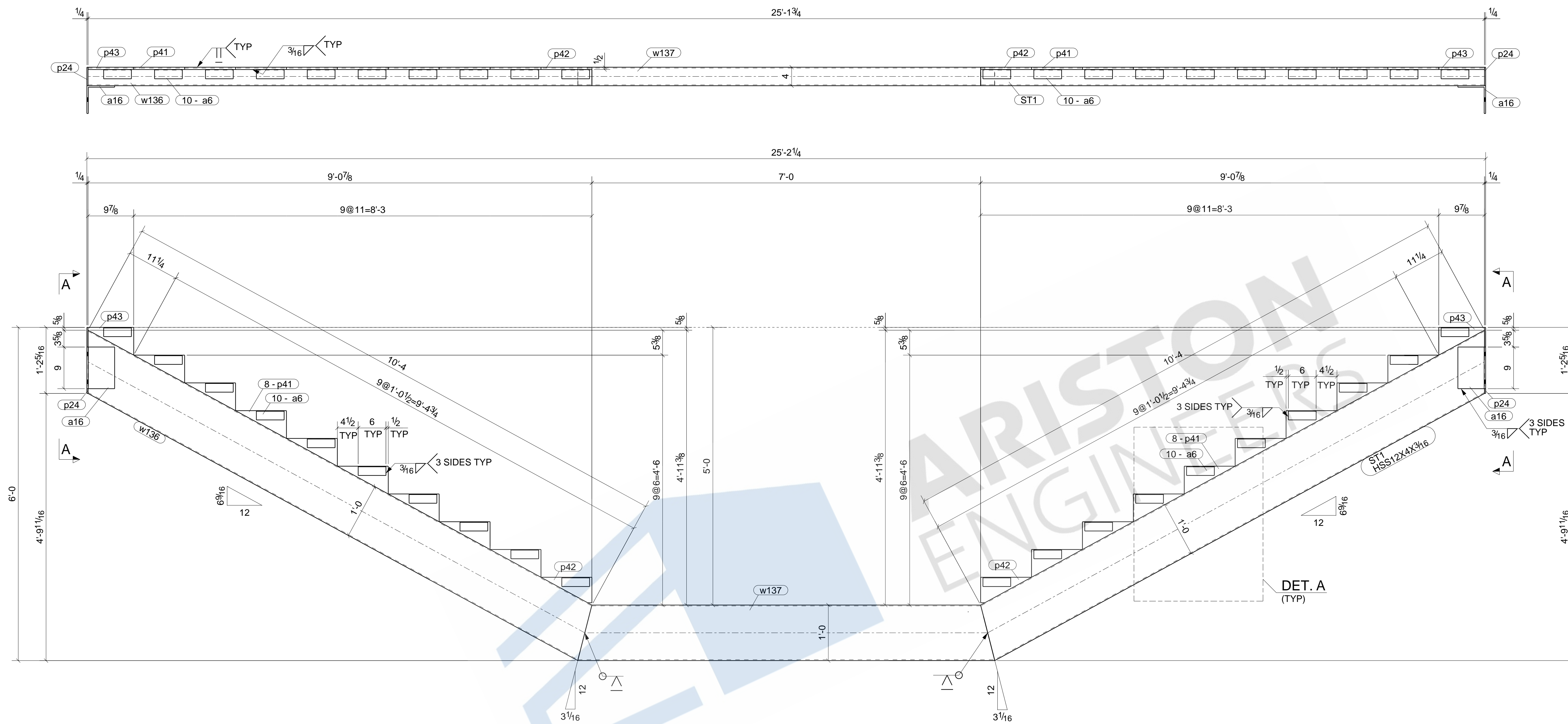
GRID LOCATION	BOTTOM ELEVATION
8/L	14'-9"



ONE - STUB COLUMN - SC5

BILL OF MATERIAL

MARK	QTY	DESCRIPTION	LENGTH	WEIGHT	REMARKS	REV	DESCRIPTION	DATE
SC5	1	STUB COLUMN			SQ-2			
SC5	1	HSS4X4X3/16	16'-3 3/8"	143	GREY PRIMER A500-GR.B			
p6	1	FB3/8"X4"	1'-0"	5	A36			
p36	1	FB1/4"X4"	0'-4"	1	A36			
p77	1	FB3/4"X8 1/2"	0'-10"	18	A36	DESCRIPTION	STUB COLUMN	
p82	1	FB3/8"X6"	1'-5 9/16"	11	A36	PROJECT NAME	NEW ANNEX BUILDING	
p90	1	FB3/8"X6"	1'-8 1/4"	13	A36	GC NAME		
p94	2	FB3/8"X4"	0'-6"	5	A36	DRAWN BY	NSP	JOB No.
TOTAL WEIGHT THIS DRAWING				196		DATE DRAWN		DRG No. SC5



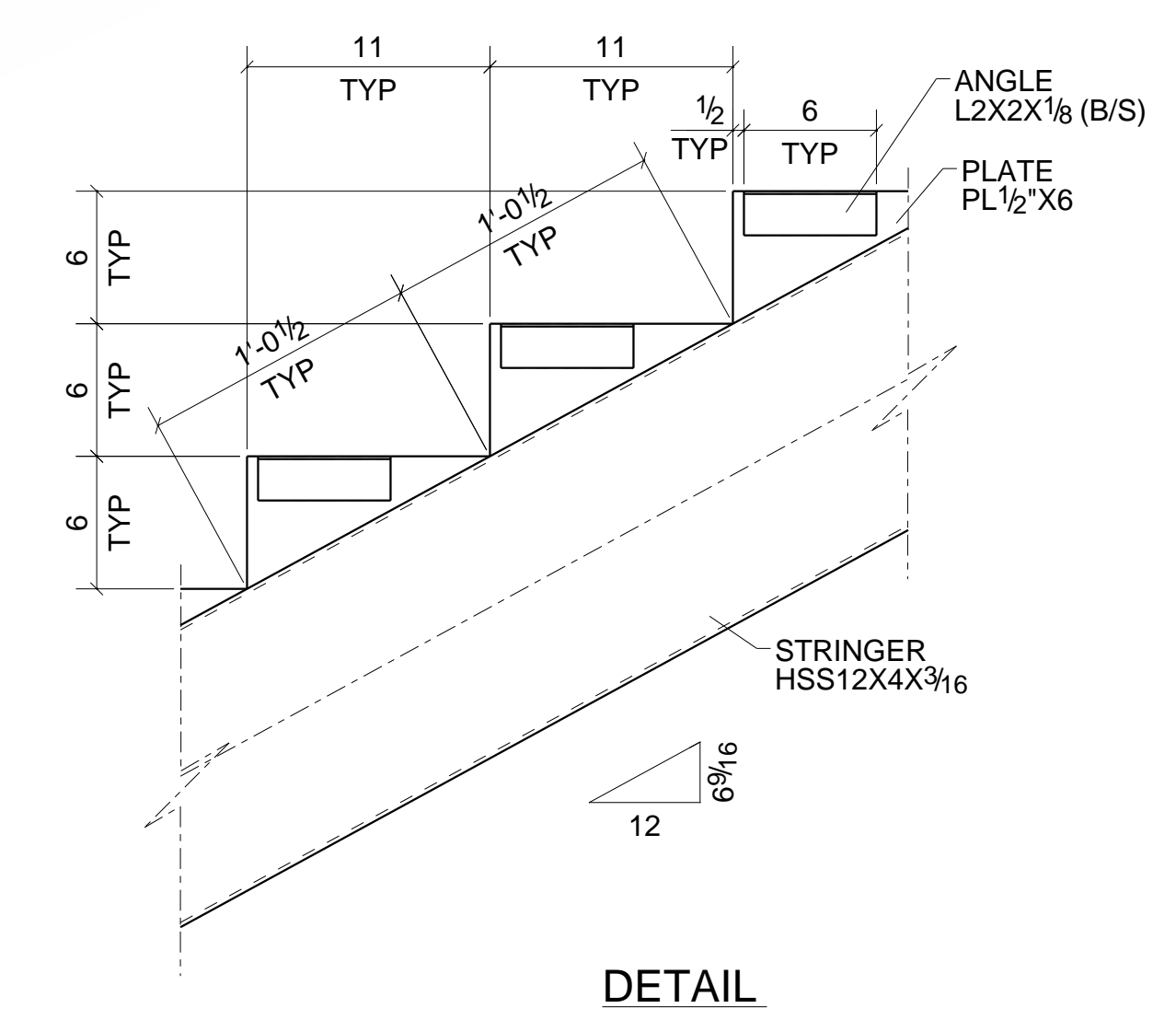
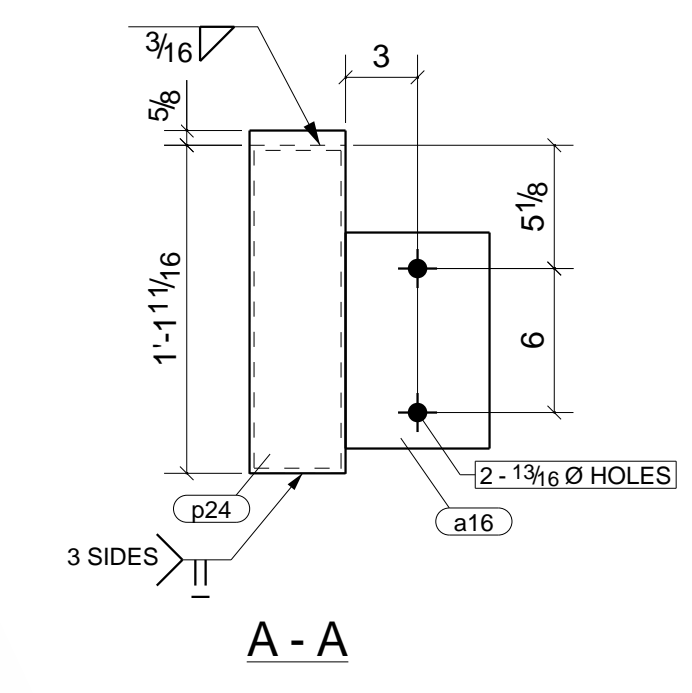
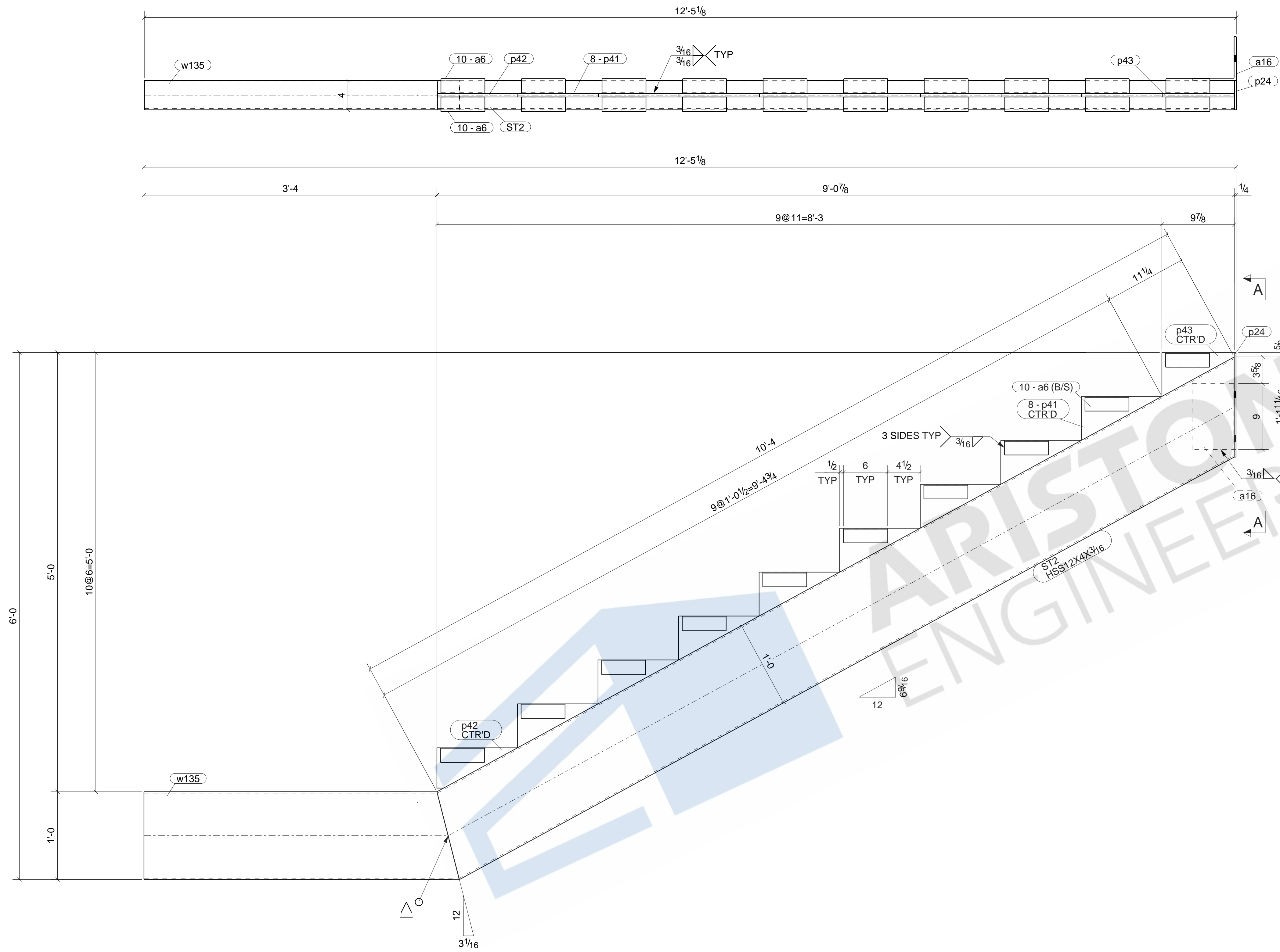
ONE - STRINGER - ST1

BILL OF MATERIAL

MARK	QTY	DESCRIPTION	LENGTH	WEIGHT	REMARKS
ST1	1	STRINGER			BEV-2
ST1	1	HSS12X4X3/16	10'-7 1/16"	194	PAINT 'P2' A500-GR.B
a6	20	L2X2X1/8	0'-6"	17	PAINT 'P2' A36
a16	2	L6X6X5/16	0'-9"	19	A36
p24	2	FB1/4"X4"	1'-2 5/16"	8	A36
p41	16	FB1/2"X6"	0'-11"	75	A36
p42	2	FB1/2"X5 1/2"	0'-11"	9	A36
p43	2	FB1/2"X6"	0'-9 7/8"	9	A36
w136	1	HSS12X4X3/16	10'-7 1/16"	194	GREY PRIMER A500-GR.B
w137	1	HSS12X4X3/16	7'-6 1/8"	137	GREY PRIMER A500-GR.B
TOTAL WEIGHT THIS DRAWING				661	

REV	DESCRIPTION	DATE

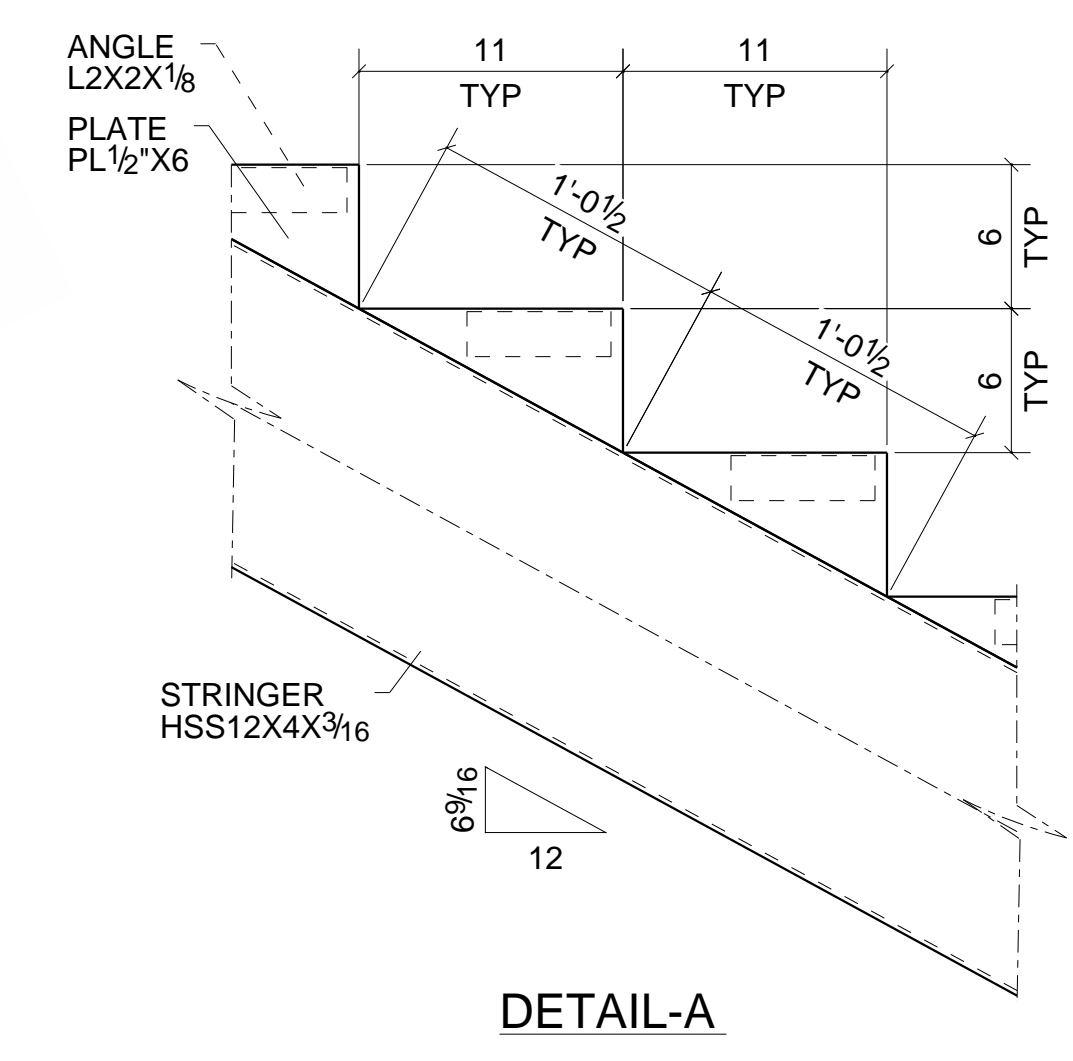
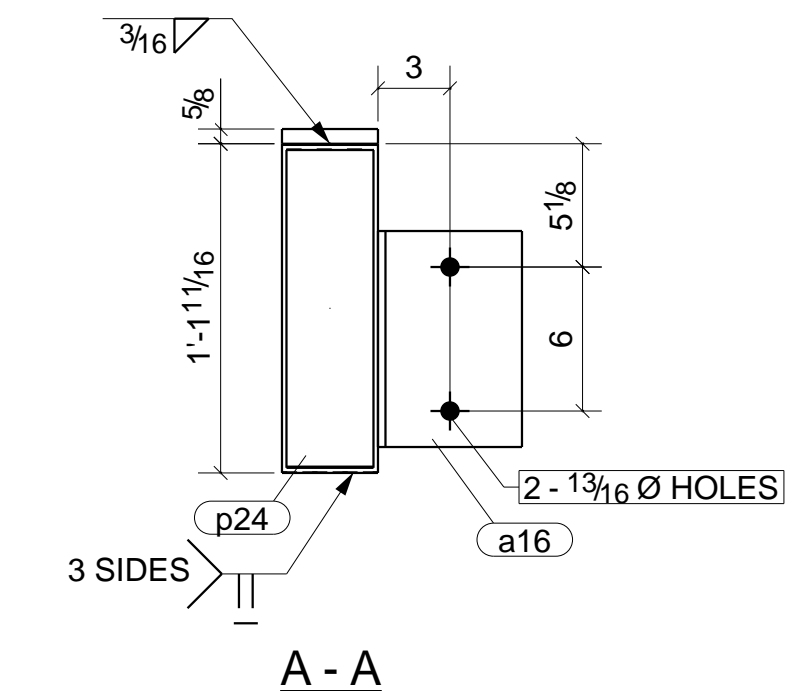
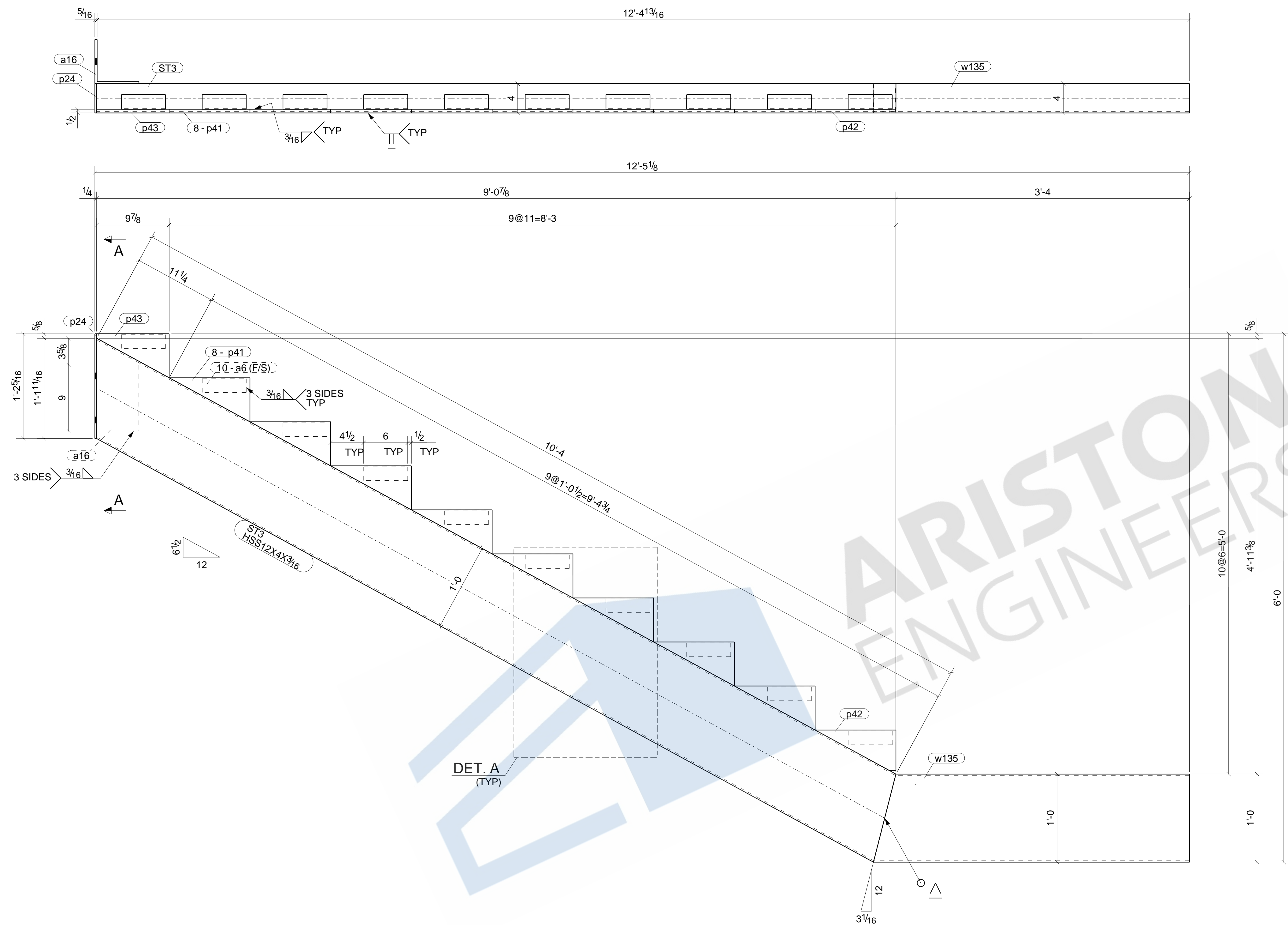
DESCRIPTION	STRINGER
PROJECT NAME	NEW ANNEX BUILDING
GC NAME	
DRAWN BY	NSP
DATE DRAWN	
JOB No.	
DRG No.	ST1



ONE - STRINGER - ST2

BILL OF MATERIAL						
MARK	QTY	DESCRIPTION	LENGTH	WEIGHT	REMARKS	
ST2	1	STRINGER			BEV-2	
ST2	1	HSS12X4X3/16	10'-7 1/16"	194	PAINT 'P2' A500-GR.B	
a6	20	L2X2X1/8	0'-6"	17	PAINT 'P2' A36	
a16	1	L6X6X5/16	0'-9"	9	A36	
p24	1	FB1/4"X4"	1'-2 5/16"	4	A36	
p41	8	FB1/2"X6"	0'-11"	37	A36	
p42	1	FB1/2"X5 1/2"	0'-11"	5	A36	
p43	1	FB1/2"X6"	0'-9 7/8"	5	A36	
w135	1	HSS12X4X3/16	3'-7 1/16"	66	GREY PRIMER A500-GR.B	
TOTAL WEIGHT THIS DRAWING				336		

REV	DESCRIPTION	DATE
	DESCRIPTION	STRINGER
	PROJECT NAME	NEW ANNEX BUILDING
	GC NAME	
	DRAWN BY	NSP
	DATE DRAWN	
	JOB No.	
	DRG No.	ST2

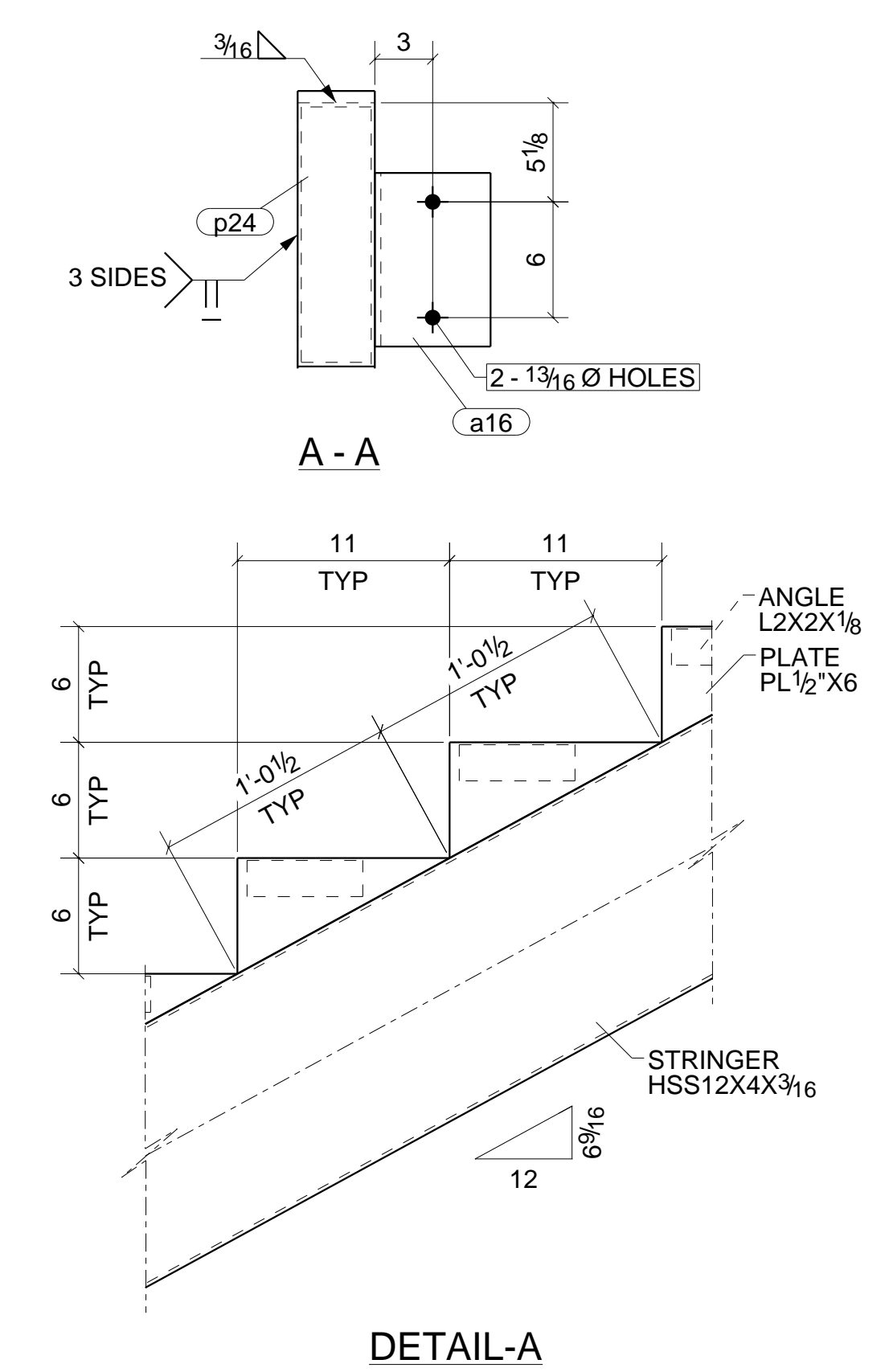
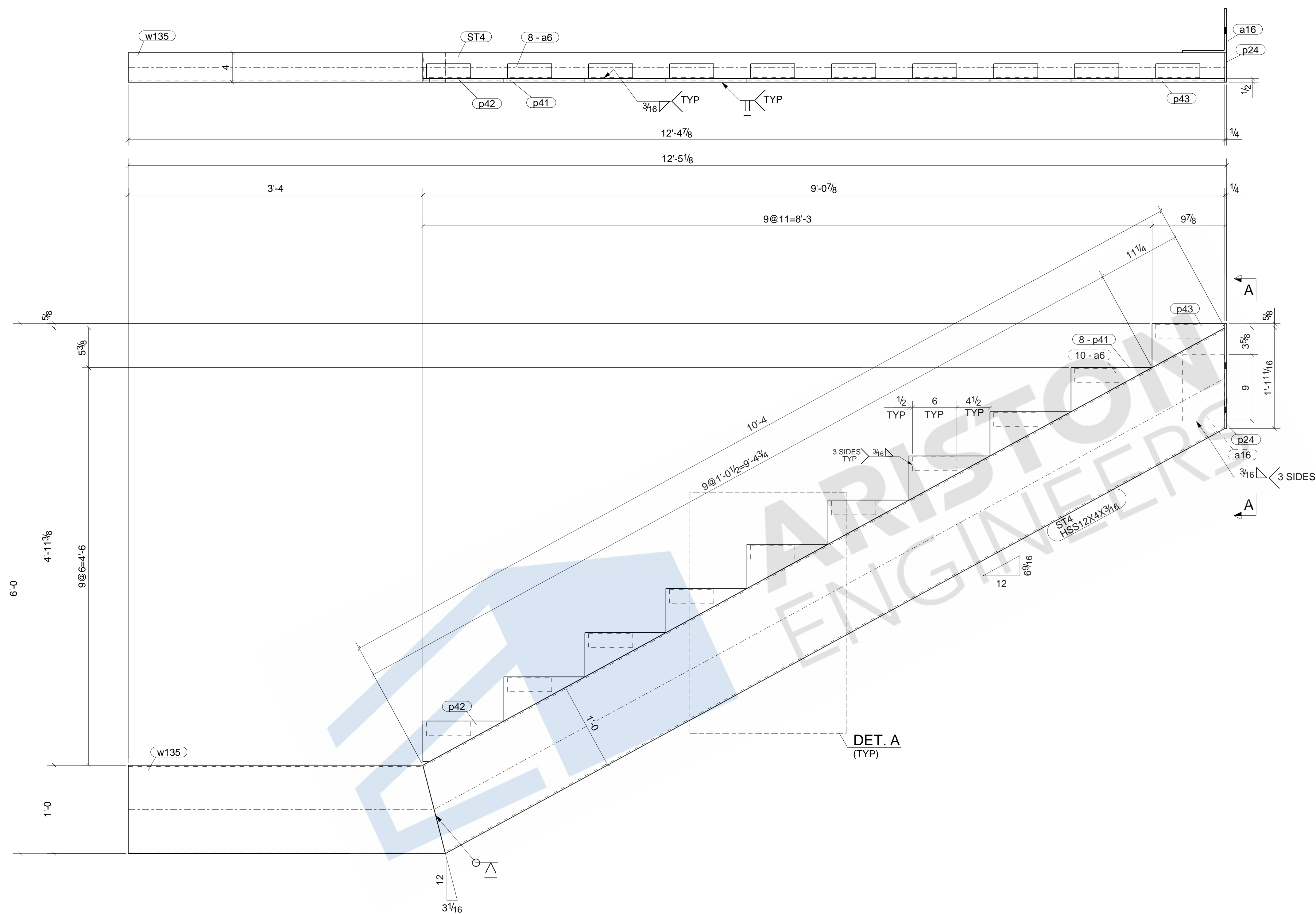


ONE - STRINGER - ST3

BILL OF MATERIAL

MARK	QTY	DESCRIPTION	LENGTH	WEIGHT	REMARKS
ST3	1	STRINGER			BEV-2
ST3	1	HSS12X4X3/16	10'-7 1/16"	194	PAINT 'P2' A500-GR.B
a6	10	L2X2X1/8	0'-6"	8	PAINT 'P2' A36
a16	1	L6X6X5/16	0'-9"	9	A36
p24	1	FB1/4"X4"	1'-2 5/16"	4	A36
p41	8	FB1/2"X6"	0'-11"	37	A36
p42	1	FB1/2"X5 1/2"	0'-11"	5	A36
p43	1	FB1/2"X6"	0'-9 7/8"	5	A36
w135	1	HSS12X4X3/16	3'-7 1/16"	66	GREY PRIMER A500-GR.B
TOTAL WEIGHT THIS DRAWING				328	

REV	DESCRIPTION	DATE
	DESCRIPTION	STRINGER
	PROJECT NAME	NEW ANNEX BUILDING
	GC NAME	
	DRAWN BY	NSP
	DATE DRAWN	
	JOB No.	
	DRG No.	ST3

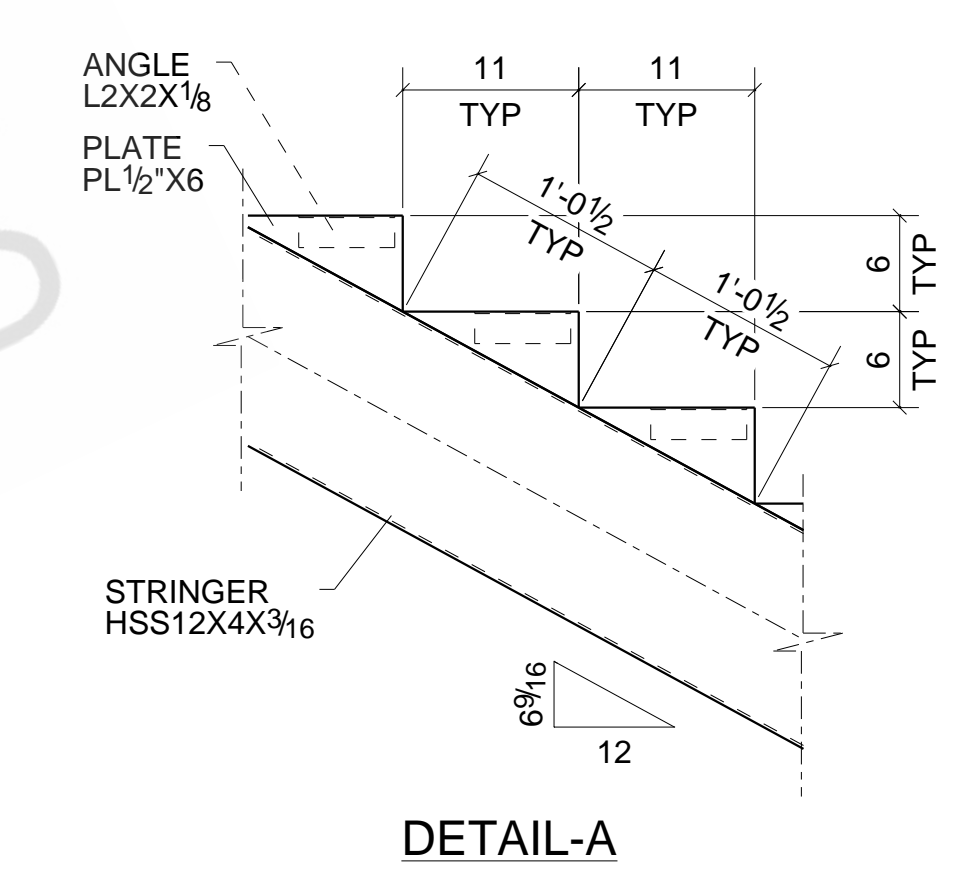
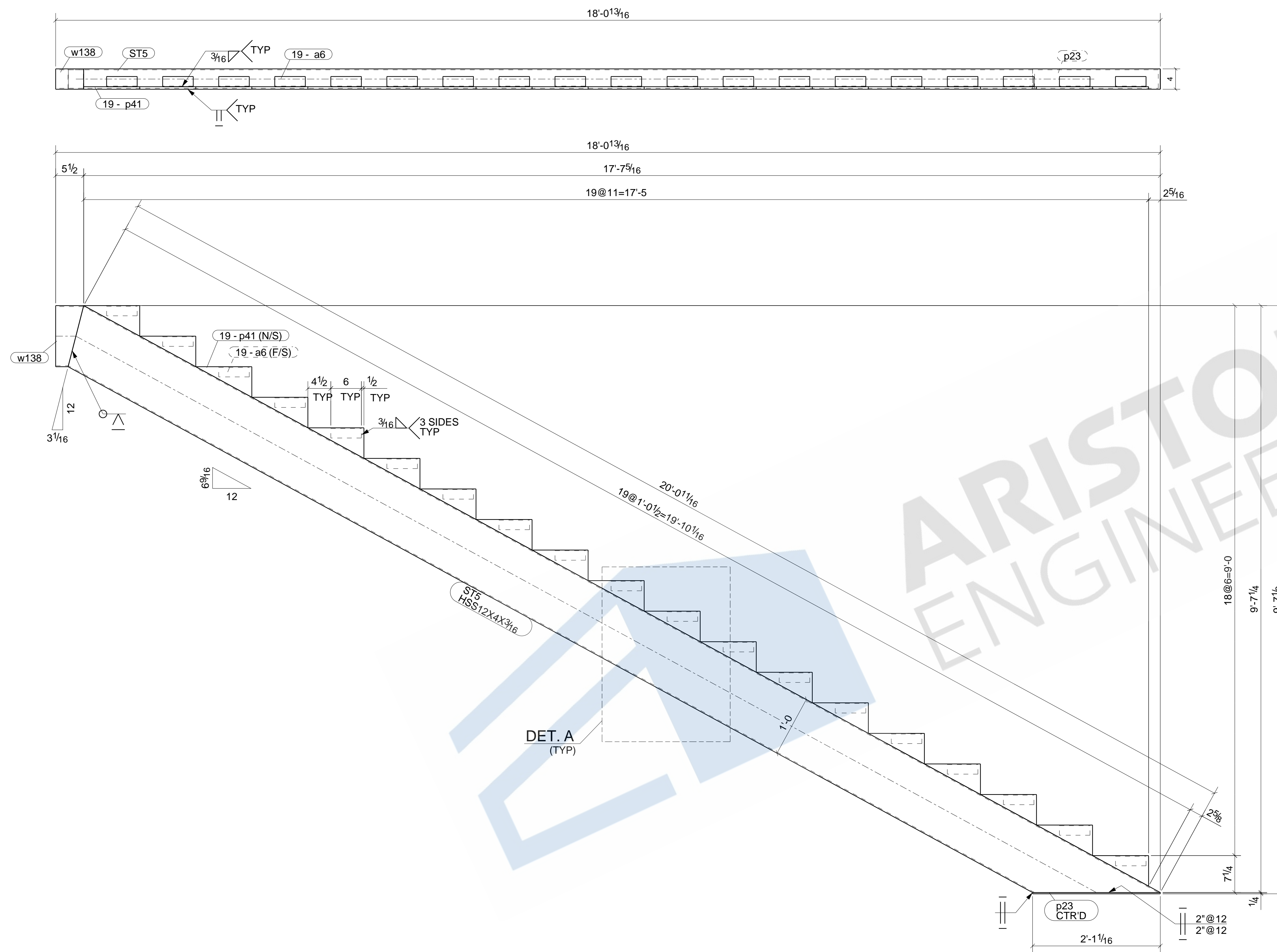


ONE - STRINGER - ST4

BILL OF MATERIAL

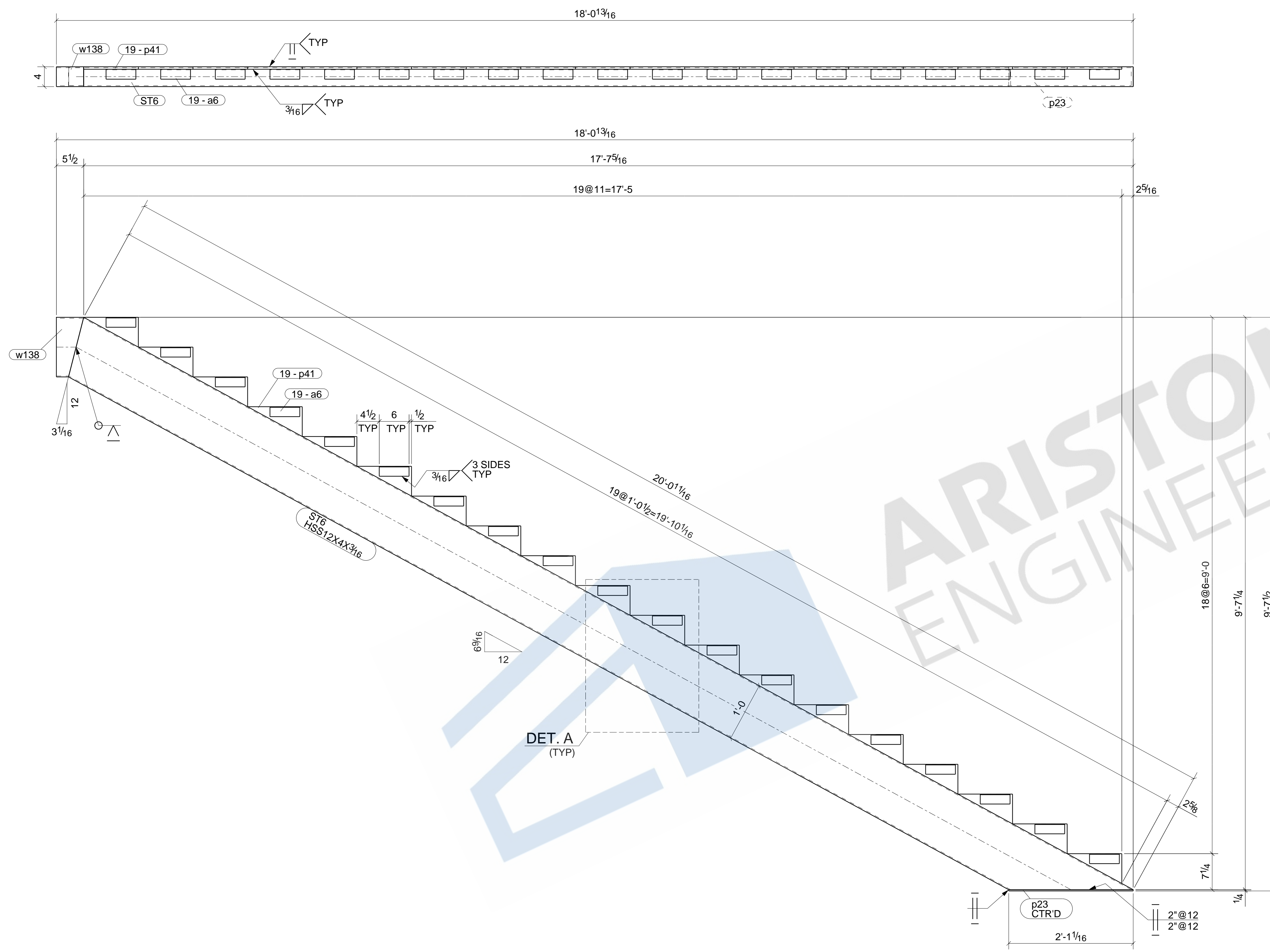
MARK	QTY	DESCRIPTION	LENGTH	WEIGHT	REMARKS
ST4	1	STRINGER			BEV-2
ST4	1	HSS12X4X3/16	10'-7 1/16"	194	PAINT "P2" A500-GR.B
a6	10	L2X2X1/8	0'-6"	8	PAINT "P2" A36
a16	1	L6X6X5/16	0'-9"	9	A36
p24	1	FB1/4"X4"	1'-2 5/16"	4	A36
p41	8	FB1/2"X6"	0'-11"	37	A36
p42	1	FB1/2"X5 1/2"	0'-11"	5	A36
p43	1	FB1/2"X6"	0'-9 7/8"	5	A36
w135	1	HSS12X4X3/16	3'-7 1/16"	66	GREY PRIMER A500-GR.B
TOTAL WEIGHT THIS DRAWING				328	

REV	DESCRIPTION	DATE
	DESCRIPTION	STRINGER
	PROJECT NAME	NEW ANNEX BUILDING
	GC NAME	NSP
	DRAWN BY	NSP
	DATE DRAWN	
	JOB No.	
	DRG No.	ST4

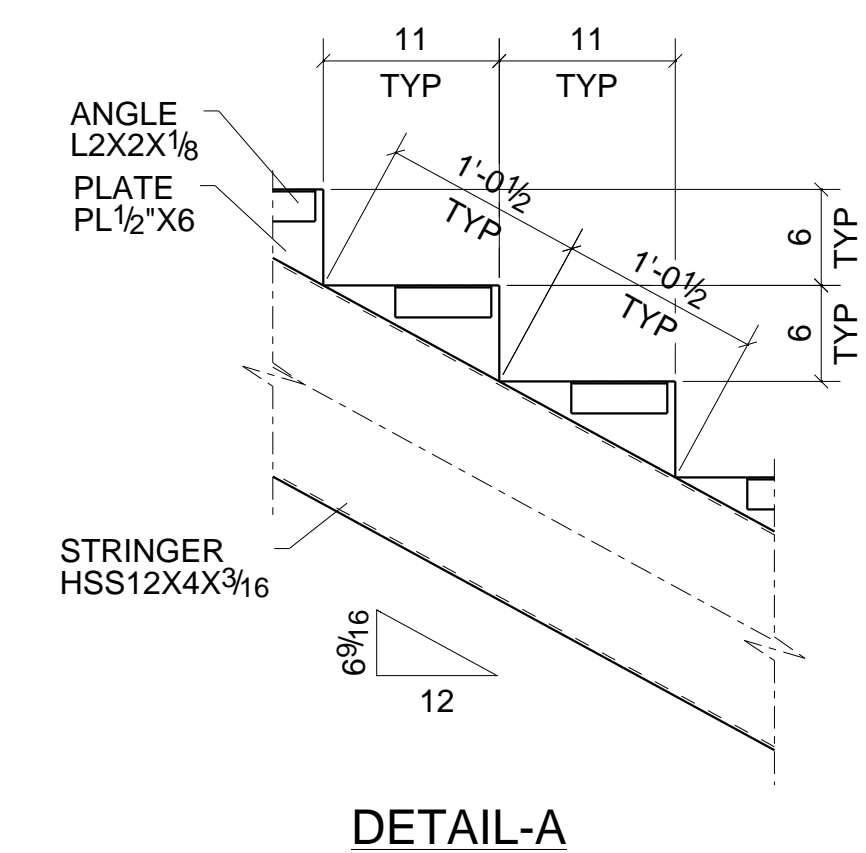


ONE - STRINGER - ST5

BILL OF MATERIAL						REV	DESCRIPTION	DATE
MARK	QTY	DESCRIPTION	LENGTH	WEIGHT	REMARKS			
ST5	1	STRINGER			BEV-2			
ST5	1	HSS12X4X3/16	20'-0 11/16"	367	PAINT "P2" A500-GR.B			
a6	19	L2X2X1/8	0'-6"	16	PAINT "P2" A36	DESCRIPTION	STRINGER	
p23	1	FB1/4"X4"	2'-1 1/16"	7	A36	PROJECT NAME	NEW ANNEX BUILDING	
p41	19	FB1/2"X6"	0'-11"	89	A36	GC NAME		
w138	1	HSS12X4X3/16	0'-5 1/2"	8	GREY PRIMER A500-GR.B	DRAWN BY	NSP	JOB No.
TOTAL WEIGHT THIS DRAWING				487		DATE DRAWN		DRG No.
								ST5

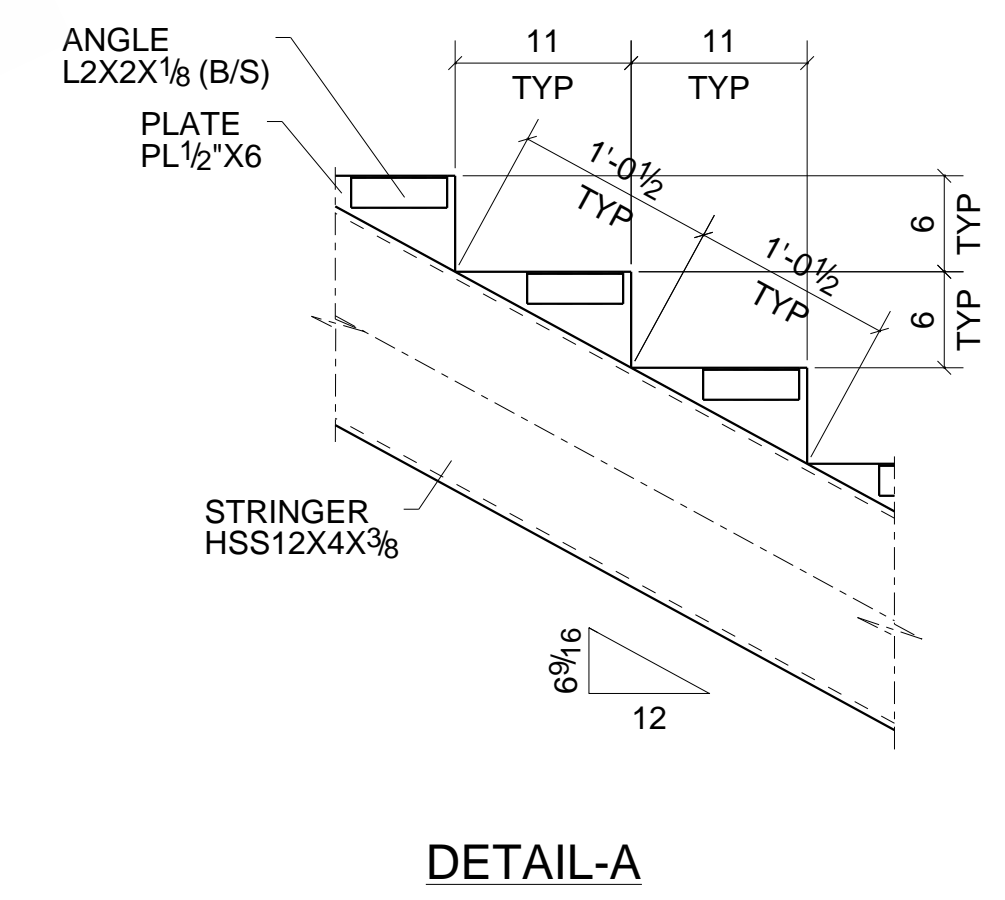
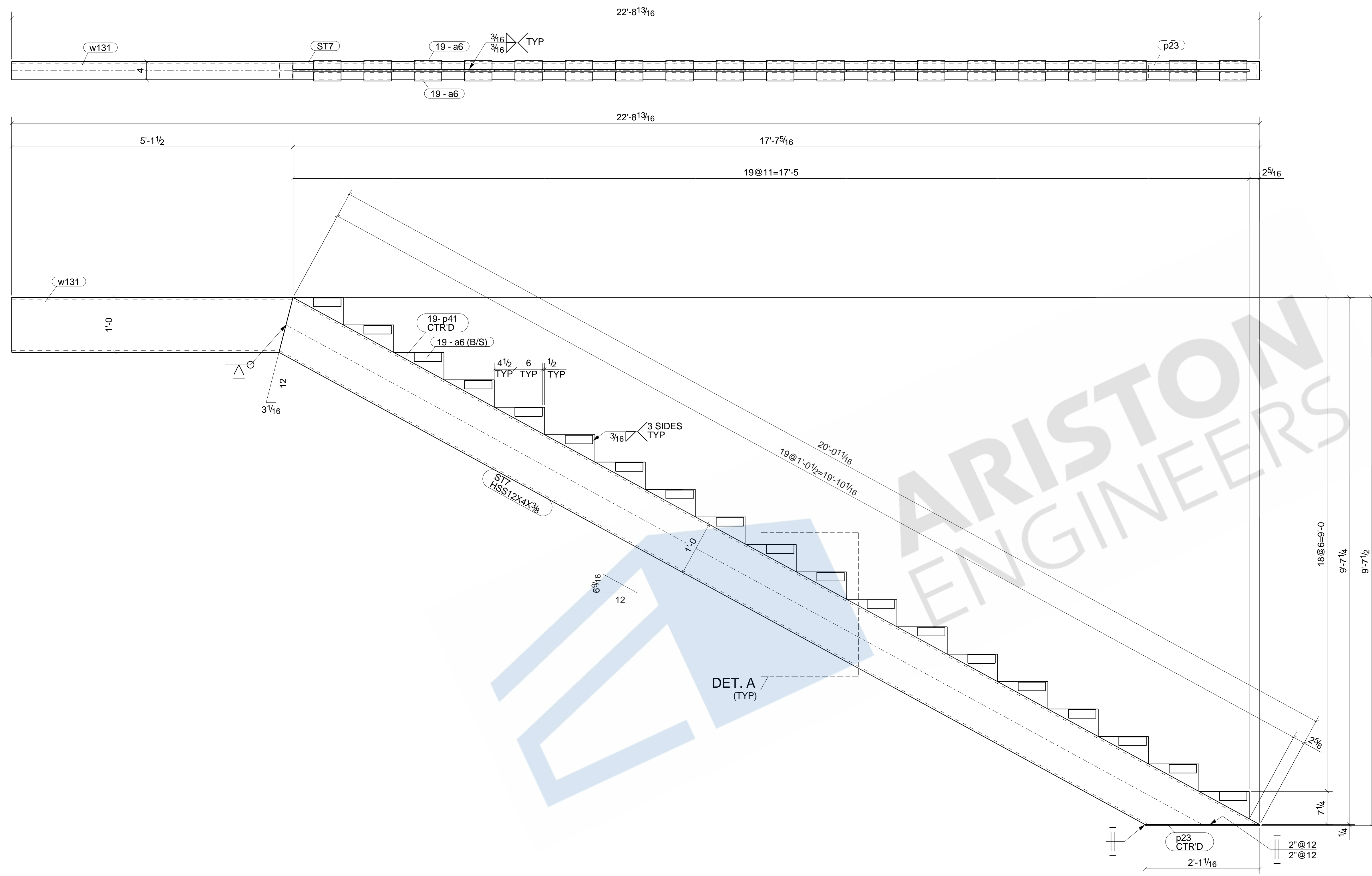


ARISTON ENGINEERS



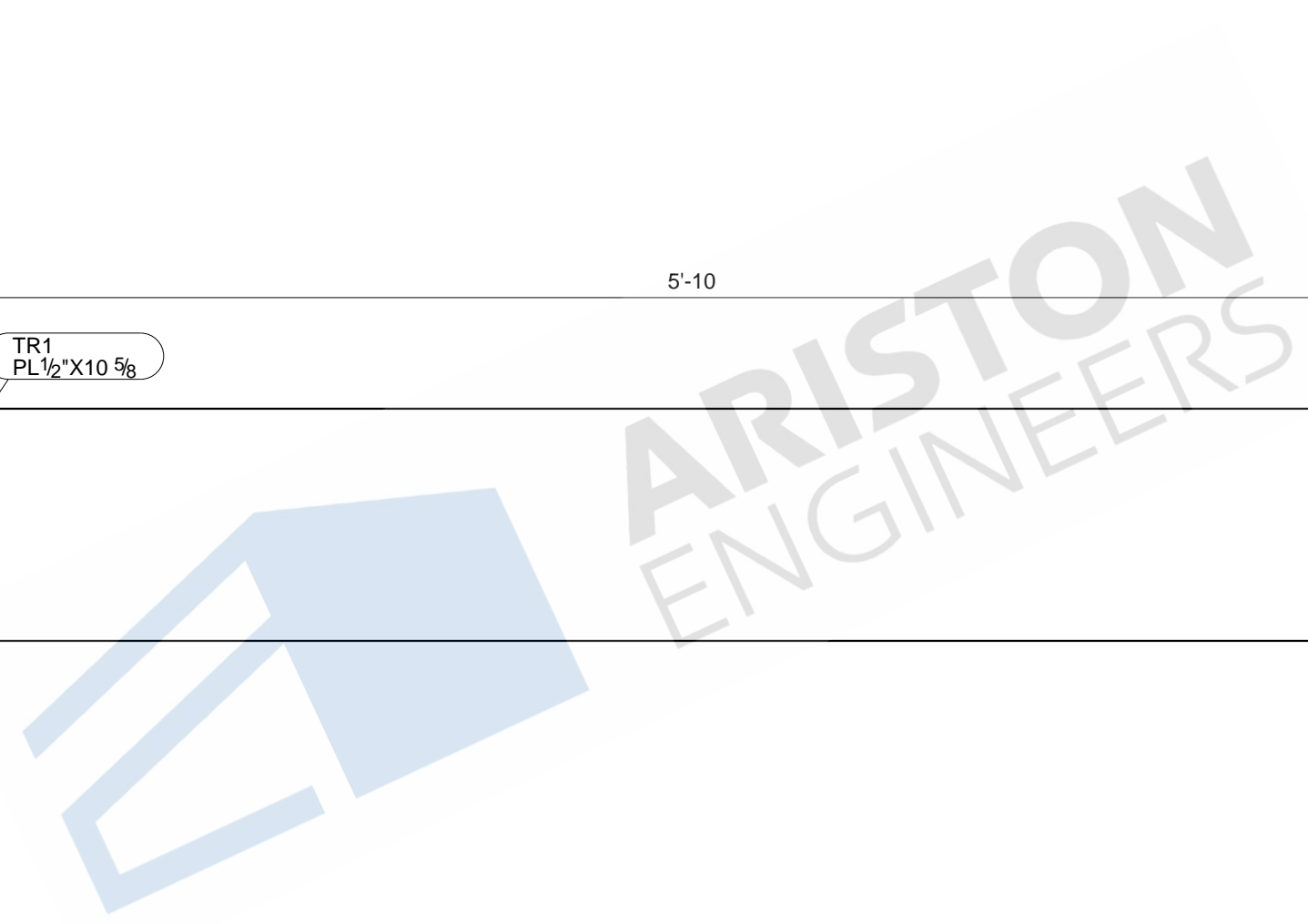
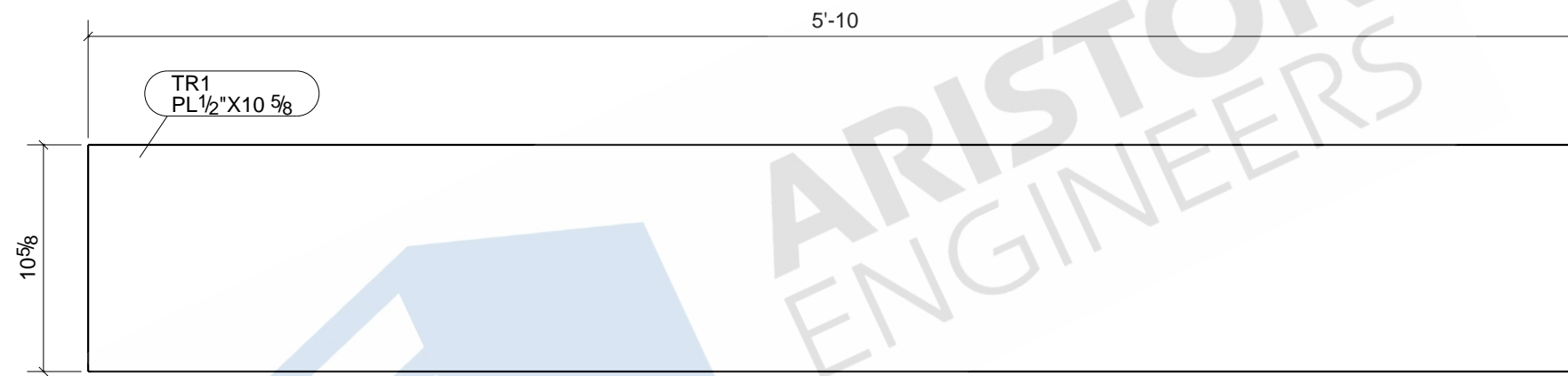
ONE - STRINGER - ST6

BILL OF MATERIAL						REV	DESCRIPTION	DATE
MARK	QTY	DESCRIPTION	LENGTH	WEIGHT	REMARKS			
ST6	1	STRINGER			BEV-2			
ST6	1	HSS12X4X3/16	20'-0 11/16"	367	PAINT "P2" A500-GR.B			
a6	19	L2X2X1/8	0'-6"	16	PAINT "P2" A36	DESCRIPTION	STRINGER	
p23	1	FB1/4"X4"	2'-1 1/16"	7	A36	PROJECT NAME	NEW ANNEX BUILDING	
p41	19	FB1/2"X6"	0'-11"	89	A36	GC NAME		
w138	1	HSS12X4X3/16	0'-5 1/2"	8	GREY PRIMER A500-GR.B	DRAWN BY	NSP	JOB No.
TOTAL WEIGHT THIS DRAWING				487		DATE DRAWN		DRG No.
								ST6



ONE - STRINGER - ST7

BILL OF MATERIAL						REV	DESCRIPTION	DATE
MARK	QTY	DESCRIPTION	LENGTH	WEIGHT	REMARKS			
ST7	1	STRINGER			BEV-2			
ST7	1	HSS12x4x3/8	20'-0 11/16"	710	PAINT "P2" A500-GR.B			
a6	38	L2x2x1/8	0'-6"	32	PAINT "P2" A36			
p23	1	FB1/4"x4"	2'-1 1/16"	7	A36			
p41	19	FB1/2"x6"	0'-11"	89	A36			
w131	1	HSS12x4x3/8	5'-1 1/2"	181	GREY PRIMER A500-GR.B			
TOTAL WEIGHT THIS DRAWING				1019				
						DESCRIPTION	STRINGER	
						PROJECT NAME	NEW ANNEX BUILDING	
						GC NAME		
						DRAWN BY	NSP	JOB No.
						DATE DRAWN		DRG No.
								ST7

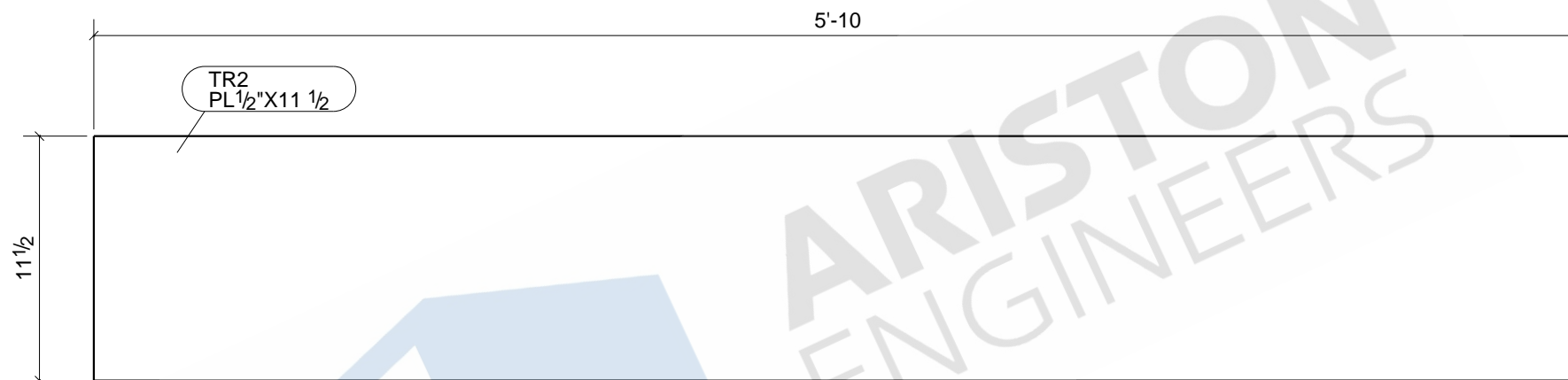


2 - TREADS - TR1

BILL OF MATERIAL

MARK	QTY	DESCRIPTION	LENGTH	WEIGHT	REMARKS
TR1	2	TREADS			SQ-2
TR1	2	PL1/2"X10 5/8"	5'-10"	211	PAINT "P2" A36
TOTAL WEIGHT THIS DRAWING				211	

REV	DESCRIPTION	DATE
DESCRIPTION		TREAD
PROJECT NAME		NEW ANNEX BUILDING
GC NAME		
DRAWN BY	NSP	JOB No.
DATE DRAWN		DRG No.
		TR1



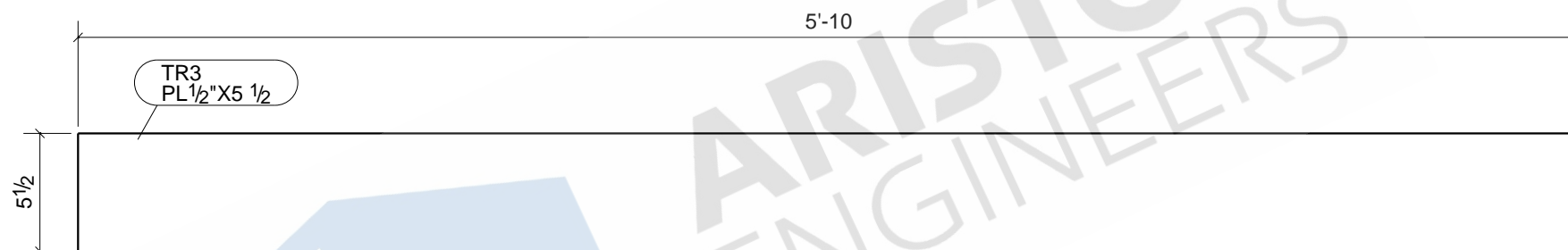
36 - TREADS - TR2

BILL OF MATERIAL

MARK	QTY	DESCRIPTION	LENGTH	WEIGHT	REMARKS
TR2	36	TREADS			SQ-2
TR2	36	FB1/2"X11 1/2"	5'-10"	4109	PAINT "P2" A36
TOTAL WEIGHT THIS DRAWING				4109	

REV	DESCRIPTION	DATE
DESCRIPTION		TREAD
PROJECT NAME		NEW ANNEX BUILDING
GC NAME		
DRAWN BY	NSP	JOB No.
DATE DRAWN		DRG No. TR2

GRID LOCATION	BOTTOM ELEVATION
8.4-9/H-	8'-8"
8.4-9/H-	8'-2"
8.4-9/H-	7'-8"
8.4-9/H-	7'-2"
8.4-9/H-	6'-8"
8.4-9/H-	6'-2"
8.4-9/H-	5'-8"
9-10/H-G	2"
9-10/H-G	1'-2"
9/H-G	1'-8"
9/H-G	2'-2"
9/H-G	2'-8"
8.4-9/H-	3'-2"
8.4-9/H-	3'-8"
8.4-9/H-	4'-2"
8.4-9/H-	4'-8"
8.4-9/H-	5'-2"
9-10/H-G	8"

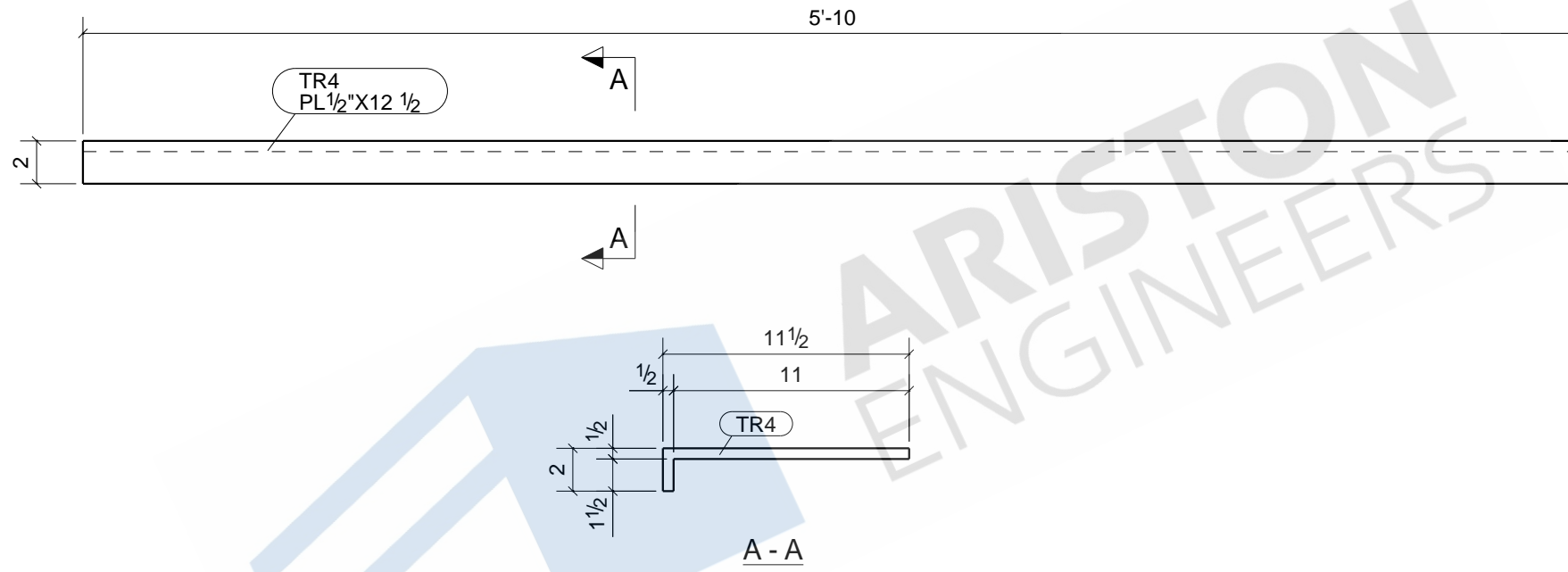


18 - RISERS - TR3

BILL OF MATERIAL

MARK	QTY	DESCRIPTION	LENGTH	WEIGHT	REMARKS
TR3	18	RISERS			SQ-2
TR3	18	FB1/2"X5 1/2"	5'-10"	983	PAINT "P2" A36
TOTAL WEIGHT THIS DRAWING				983	

REV	DESCRIPTION	DATE
DESCRIPTION		RISER
PROJECT NAME		NEW ANNEX BUILDING
GC NAME		
DRAWN BY	NSP	JOB No.
DATE DRAWN		DRG No.
		TR3

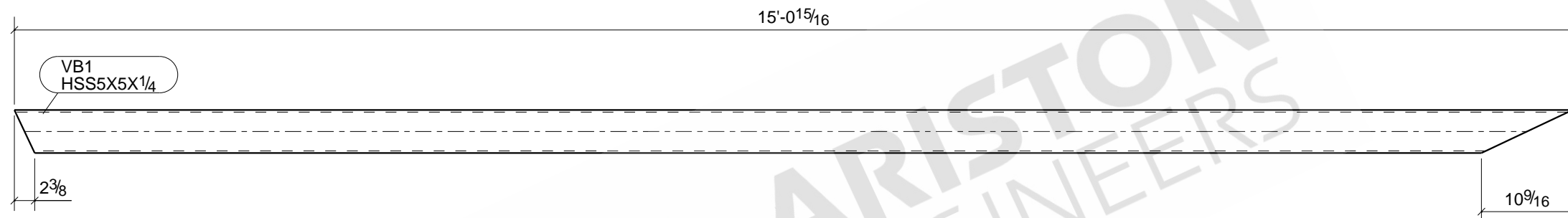


ONE - TREAD - TR4

BILL OF MATERIAL

MARK	QTY	DESCRIPTION	LENGTH	WEIGHT	REMARKS
TR4	1	TREAD			SQ-2
TR4	1	PL1/2"X12 1/2"	5'-10"	129	PAINT "P2" A36
TOTAL WEIGHT THIS DRAWING				129	

REV	DESCRIPTION	DATE
DESCRIPTION		TREAD
PROJECT NAME		NEW ANNEX BUILDING
GC NAME		
DRAWN BY	NSP	JOB No.
DATE DRAWN		DRG No.
		TR4

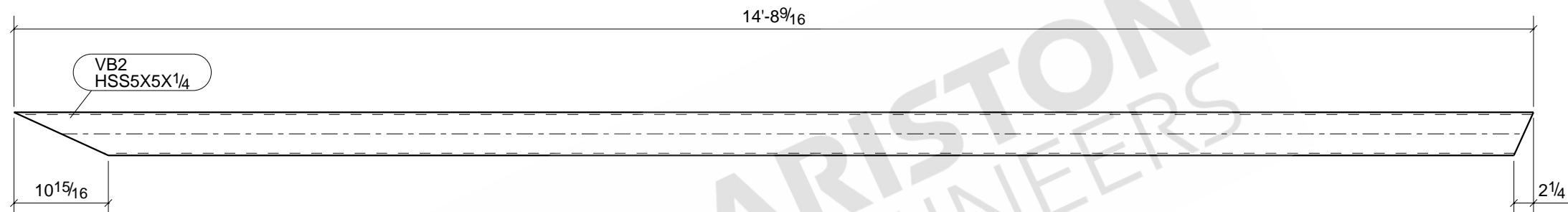


ONE - VERTICAL BRACE - VB1

BILL OF MATERIAL

MARK	QTY	DESCRIPTION	LENGTH	WEIGHT	REMARKS
VB1	1	VERTICAL BRACE			BEV-2
VB1	1	HSS5X5X1/4	15'-0 15/16"	221	GREY PRIMER A500-GR.B
TOTAL WEIGHT THIS DRAWING				221	

REV	DESCRIPTION	DATE
DESCRIPTION		VERTICAL BRACE
PROJECT NAME		NEW ANNEX BUILDING
GC NAME		
DRAWN BY	NSP	JOB No.
DATE DRAWN		DRG No.
		VB1

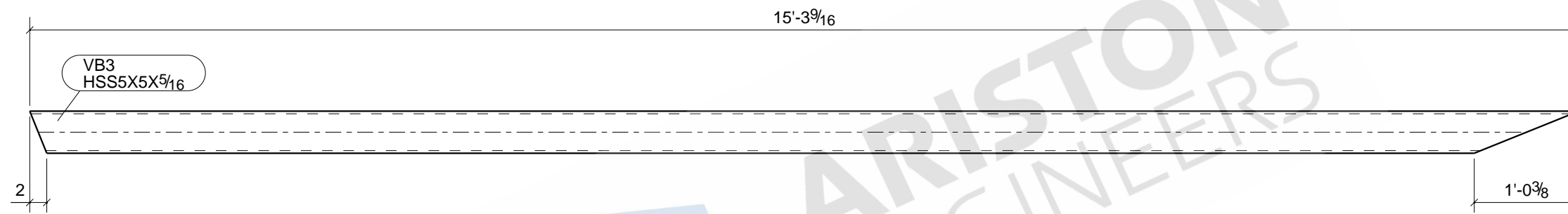


ONE - VERTICAL BRACE - VB2

BILL OF MATERIAL

MARK	QTY	DESCRIPTION	LENGTH	WEIGHT	REMARKS
VB2	1	VERTICAL BRACE			BEV-2
VB2	1	HSS5X5X1/4	14'-8 9/16"	215	GREY PRIMER A500-GR.B
TOTAL WEIGHT THIS DRAWING				215	

REV	DESCRIPTION	DATE
DESCRIPTION		VERTICAL BRACE
PROJECT NAME		NEW ANNEX BUILDING
GC NAME		
DRAWN BY	NSP	JOB No.
DATE DRAWN		DRG No.
		VB2

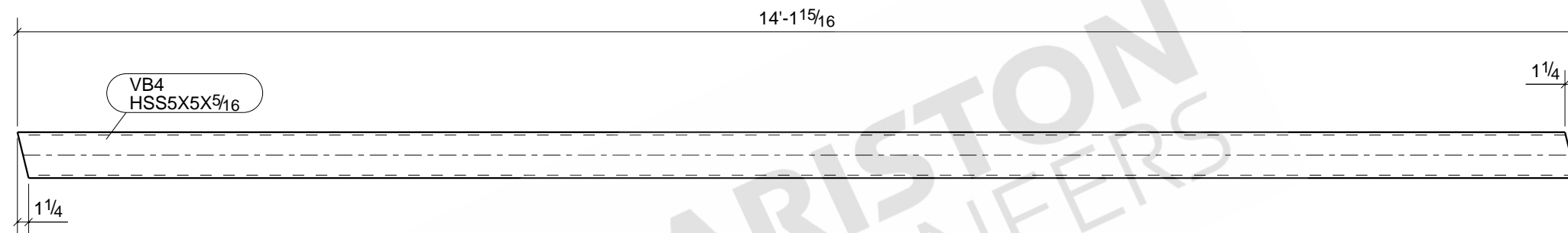


ONE - VERTICAL BRACE - VB3

BILL OF MATERIAL

MARK	QTY	DESCRIPTION	LENGTH	WEIGHT	REMARKS
VB3	1	VERTICAL BRACE			BEV-2
VB3	1	HSS5X5X5/16	15'-3 9/16"	274	GREY PRIMER A500-GR.B
TOTAL WEIGHT THIS DRAWING				274	

REV	DESCRIPTION	DATE
DESCRIPTION		VERTICAL BRACE
PROJECT NAME		NEW ANNEX BUILDING
GC NAME		
DRAWN BY	NSP	JOB No.
DATE DRAWN		DRG No.
		VB3



ONE - VERTICAL BRACE - VB4

BILL OF MATERIAL

MARK	QTY	DESCRIPTION	LENGTH	WEIGHT	REMARKS
VB4	1	VERTICAL BRACE			BEV-2
VB4	1	HSS5X5X5/16	14'-1 15/16"	253	GREY PRIMER A500-GR.B
TOTAL WEIGHT THIS DRAWING				253	

REV	DESCRIPTION	DATE
DESCRIPTION		VERTICAL BRACE
PROJECT NAME		NEW ANNEX BUILDING
GC NAME		
DRAWN BY	NSP	JOB No.
DATE DRAWN		DRG No. VB4