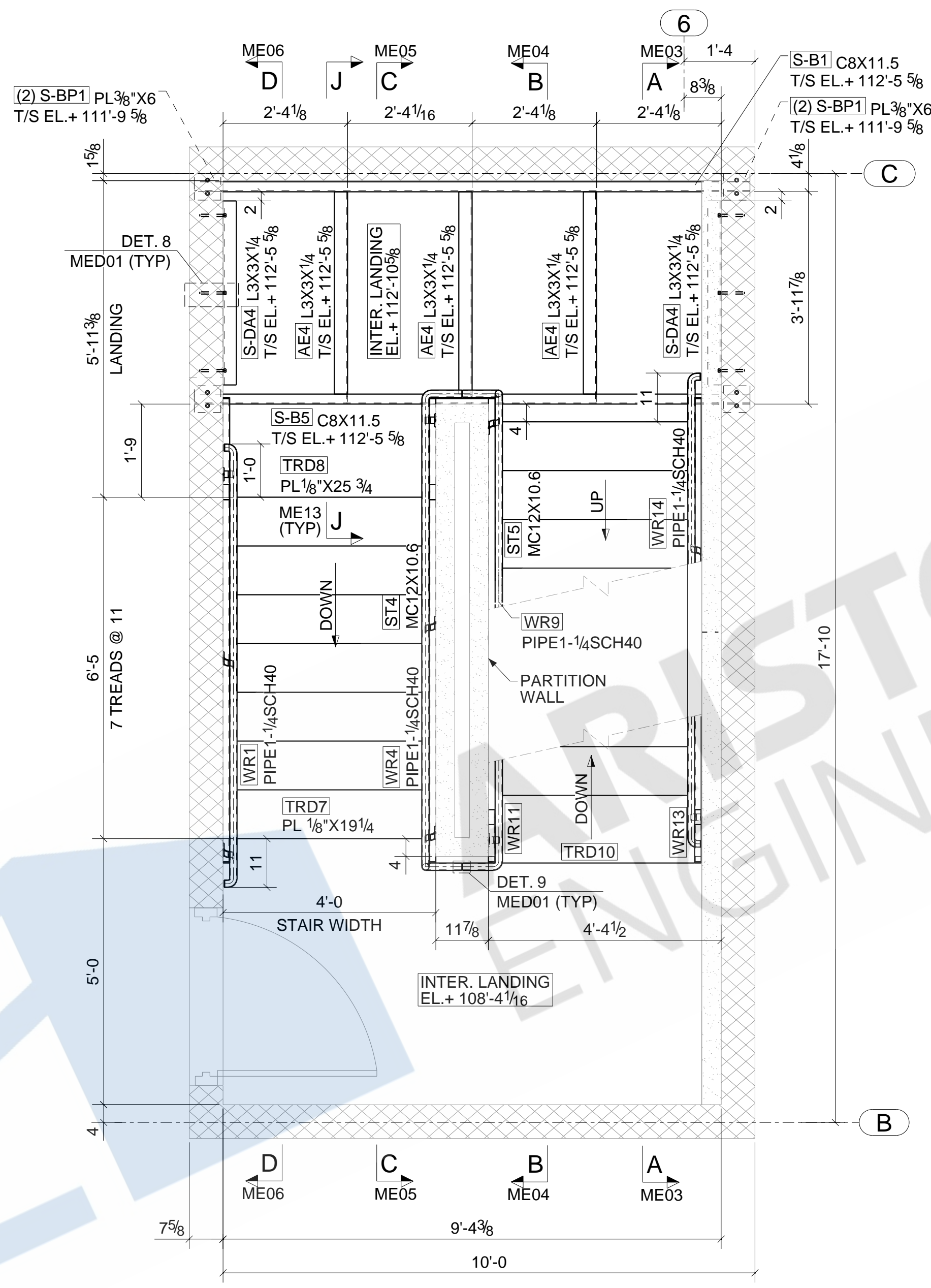
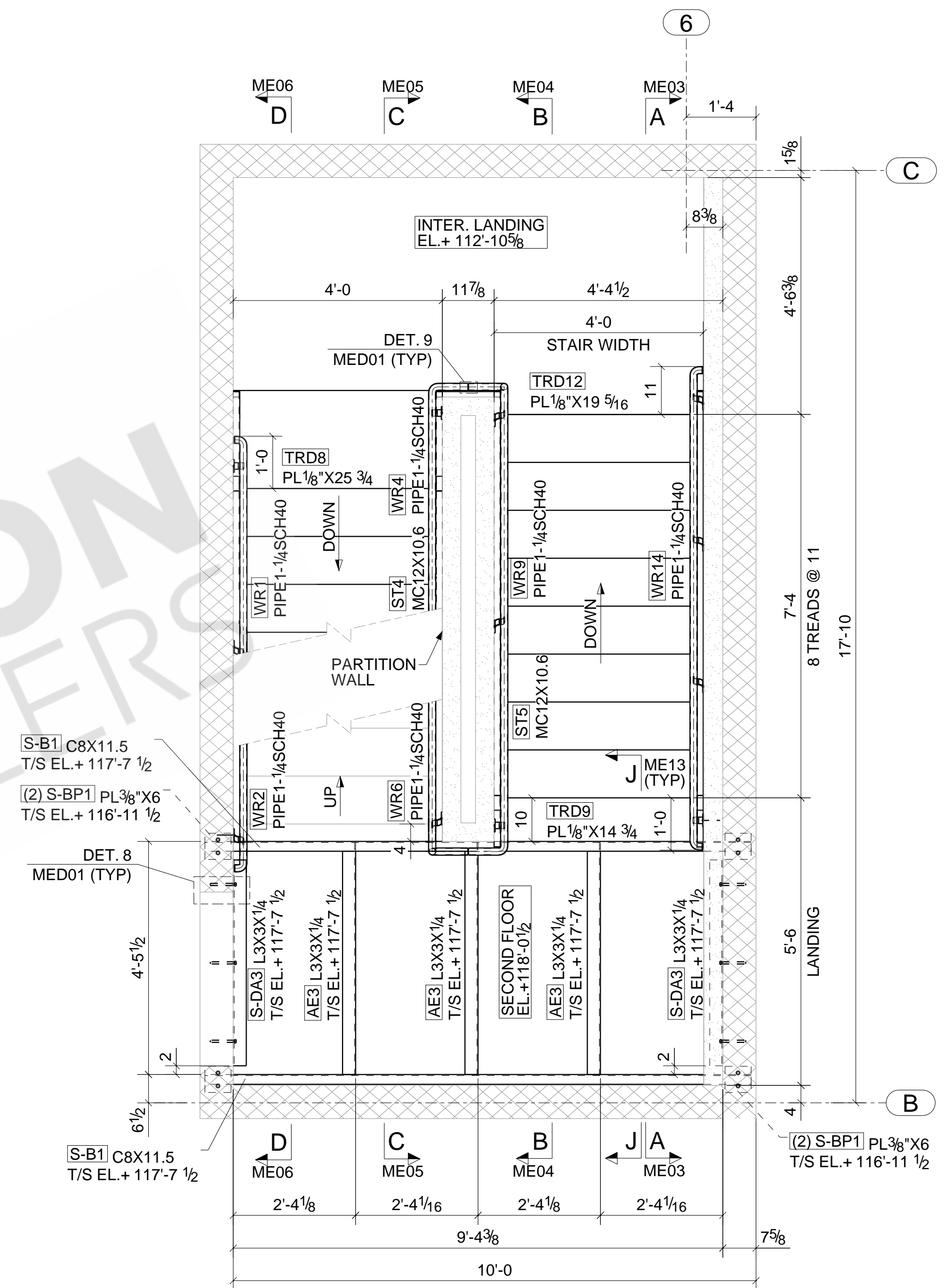


STAIR-1 INTERMEDIATE LANDING PLAN
AT EL.+ 108'-4 1/16 (U.N.O.)

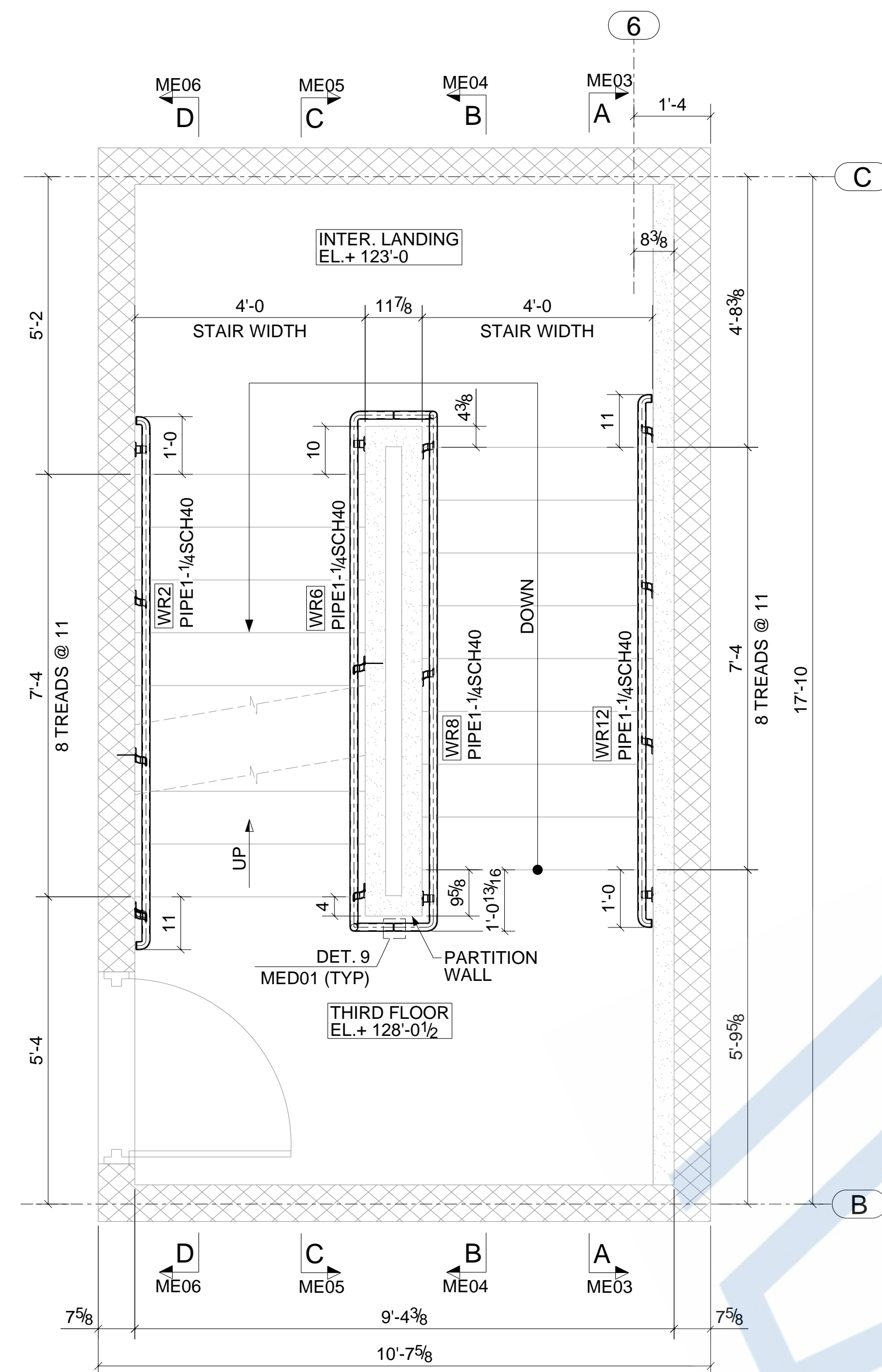


STAIR-1 INTERMEDIATE LANDING PLAN
AT EL.+ 112'-10 5/8 (U.N.O.)

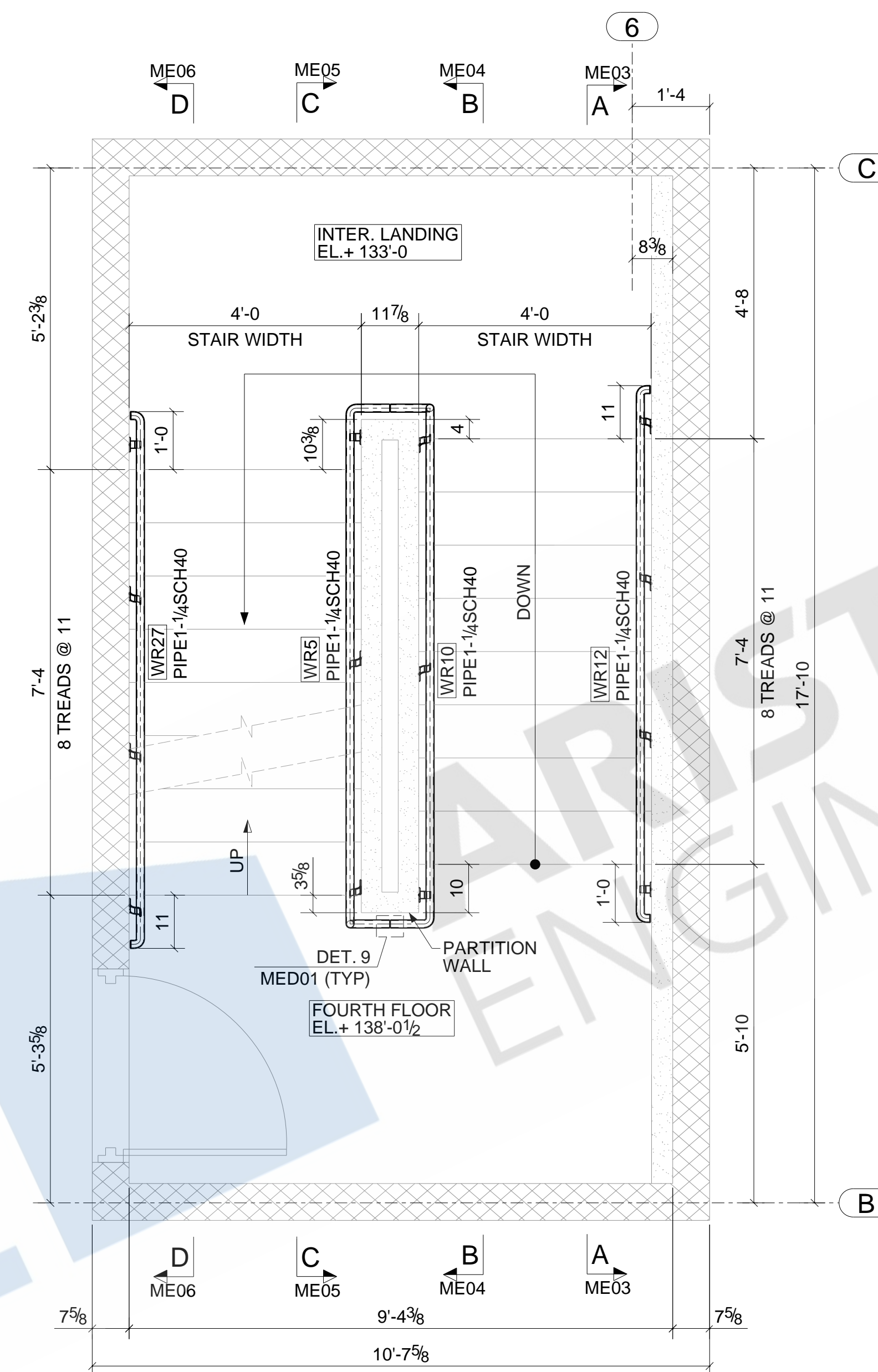


STAIR-1 SECOND FLOOR PLAN
AT EL.+ 118'-0 1/2 (U.N.O.)

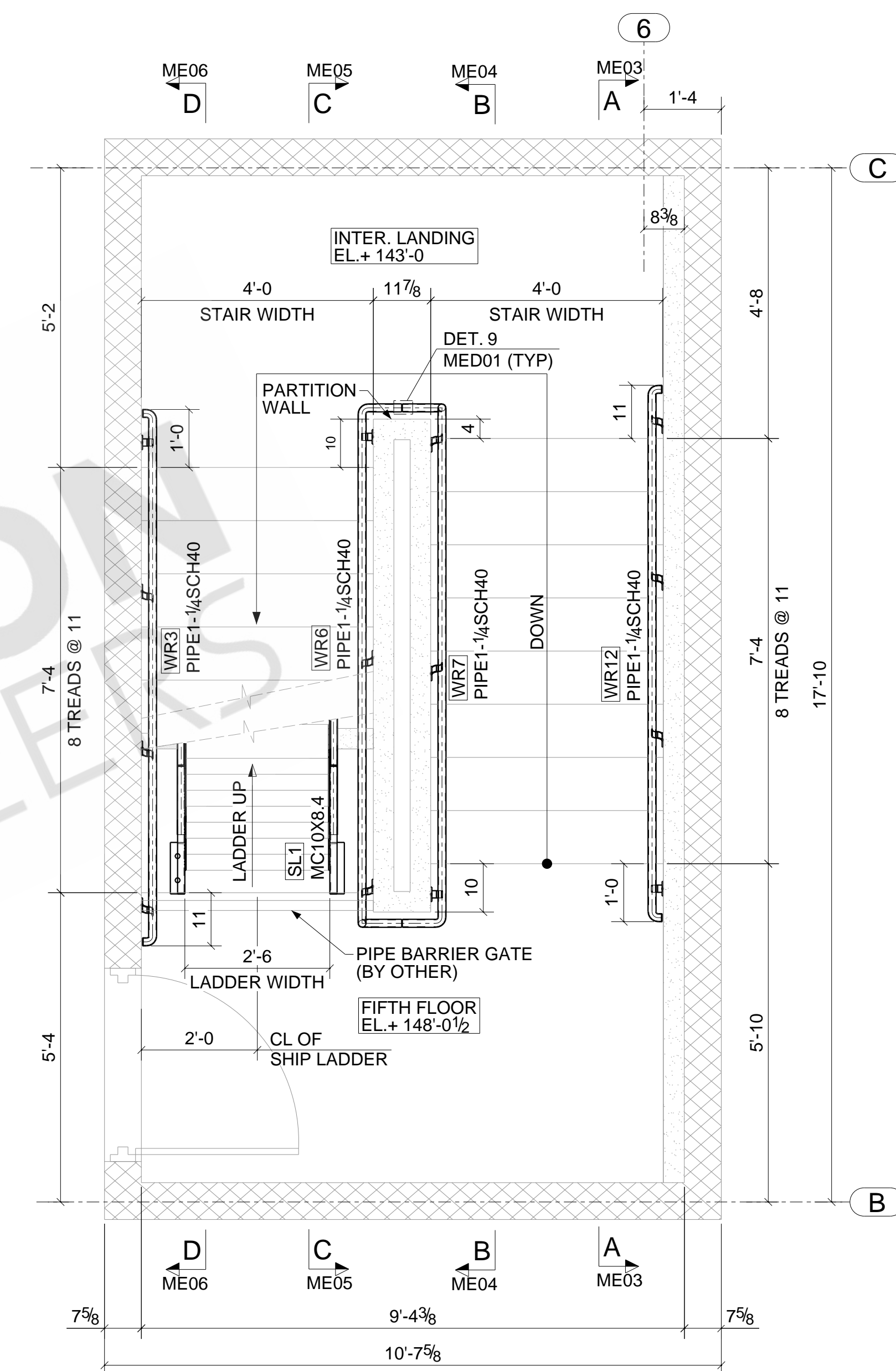
BOLT : 3/4" A325N UNO			
HOLES : 13/16" UNO			
WELD : E-70XX ELECTRODE			
FINISH : AS NOTED			
REVISIONS		ITEM	STAIR 1 PLAN
NO	DESCRIPTION	DATE	JOB
A	ISSUED FOR APPROVAL	02/08/2021	ARCH
0	ISSUED FOR CONSTRUCTION	03/08/2021	CONTR
DWN : RBK		DATE : 12/19/2020	CHK'D: ABP
JOB #			DATE : 03/08/2021
		DWG NO.	ME01



STAIR-1 THIRD FLOOR PLAN
AT EL.+128'-0¹/₂

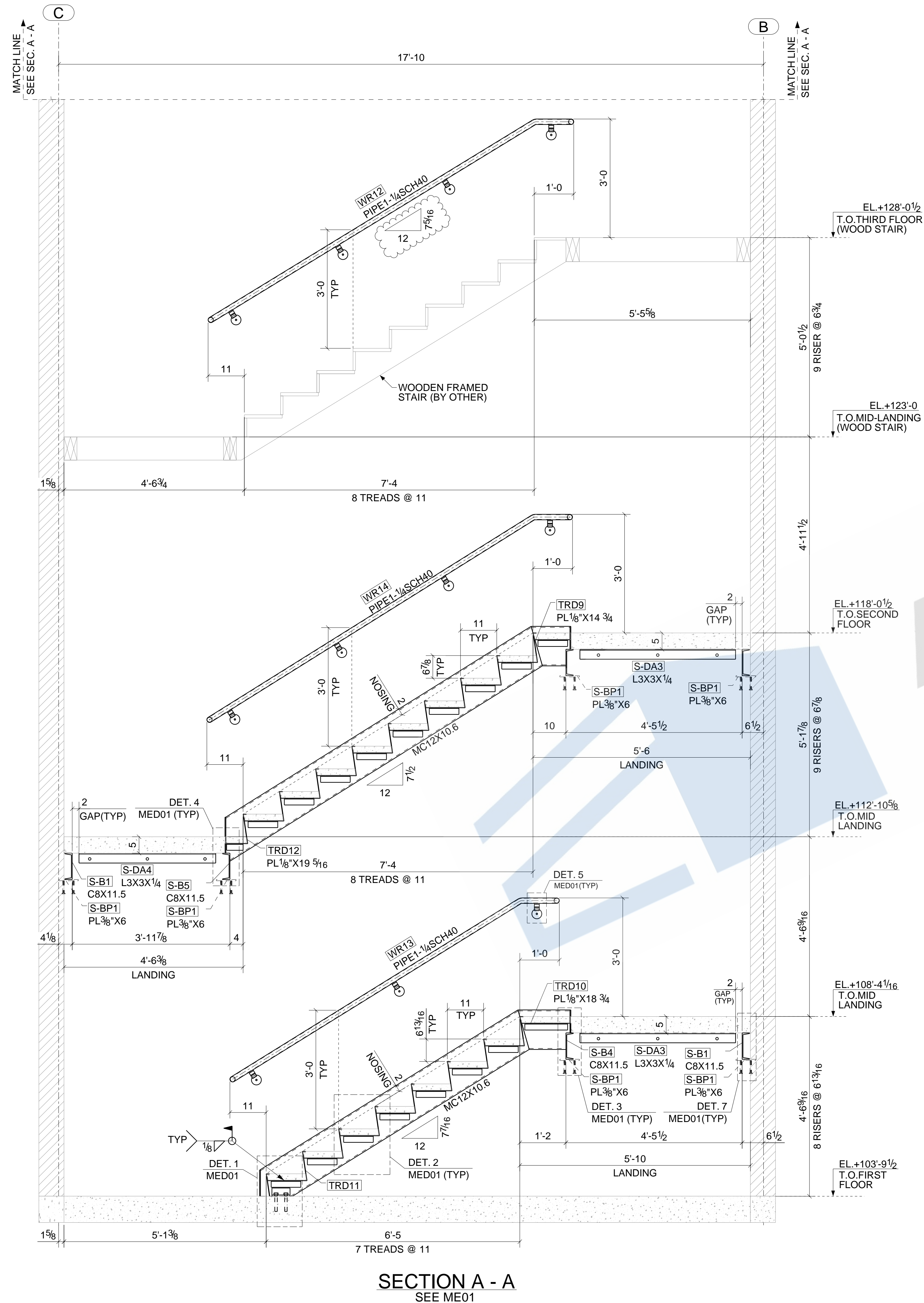


STAIR-1 FOURTH FLOOR PLAN
AT EL.+138'-0¹/₂

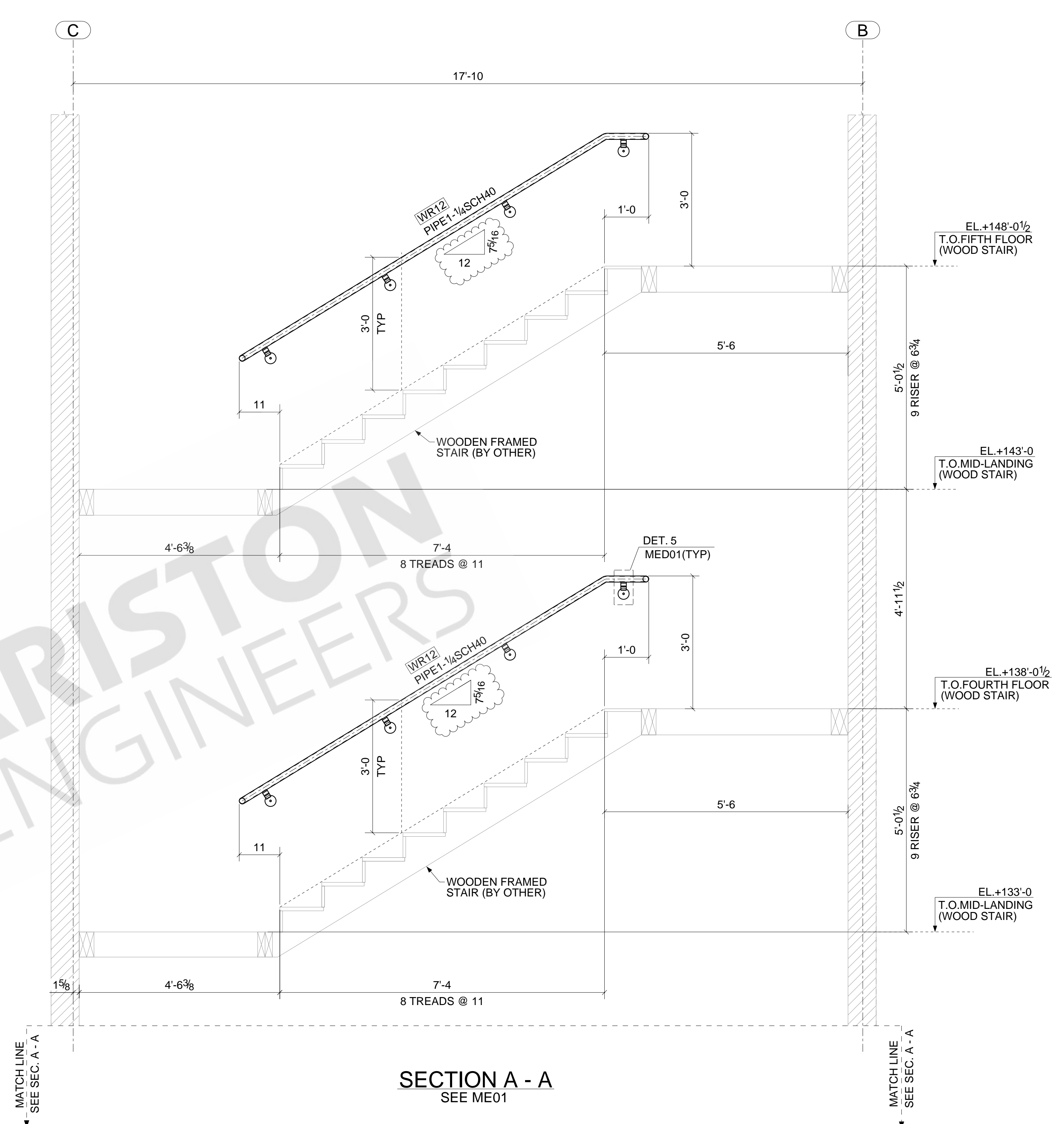


STAIR-1 FIFTH FLOOR PLAN
AT EL.+148'-0¹/₂

BOLT : 3/4" A325N UNO			
HOLES : 13/16" UNO			
WELD : E-70XX ELECTRODE			
FINISH : AS NOTED			
REVISIONS			ITEM STAIR 1 PLAN
NO	DESCRIPTION	DATE	JOB
A	ISSUED FOR APPROVAL	02/08/2021	ARCH
0	ISSUED FOR CONSTRUCTION	03/08/2021	CONTR
DWN : RBK		DATE : 01/18/2021	CHK'D: ABP
JOB #		DWG NO.	ME02



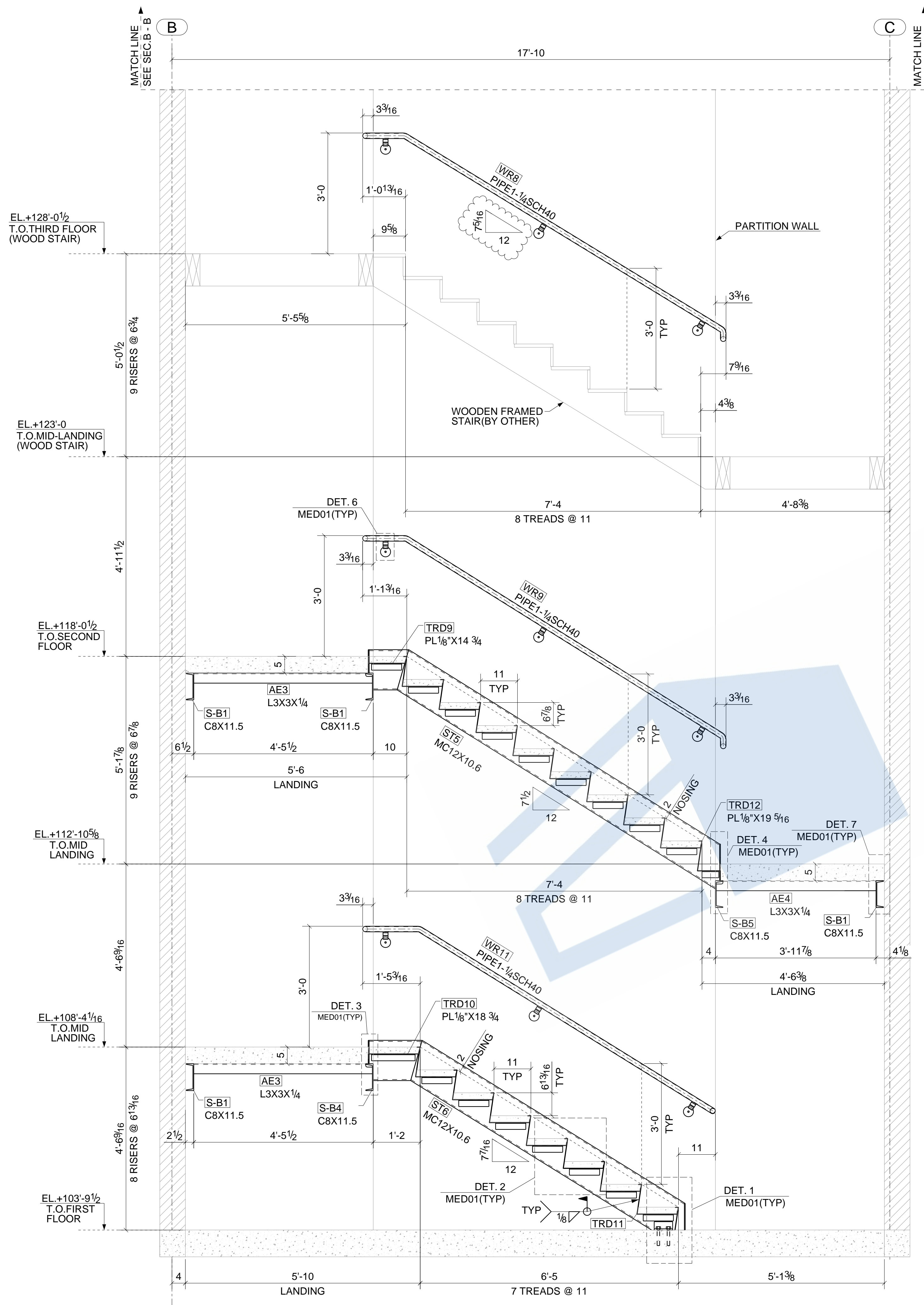
SECTION A - A
SEE ME01



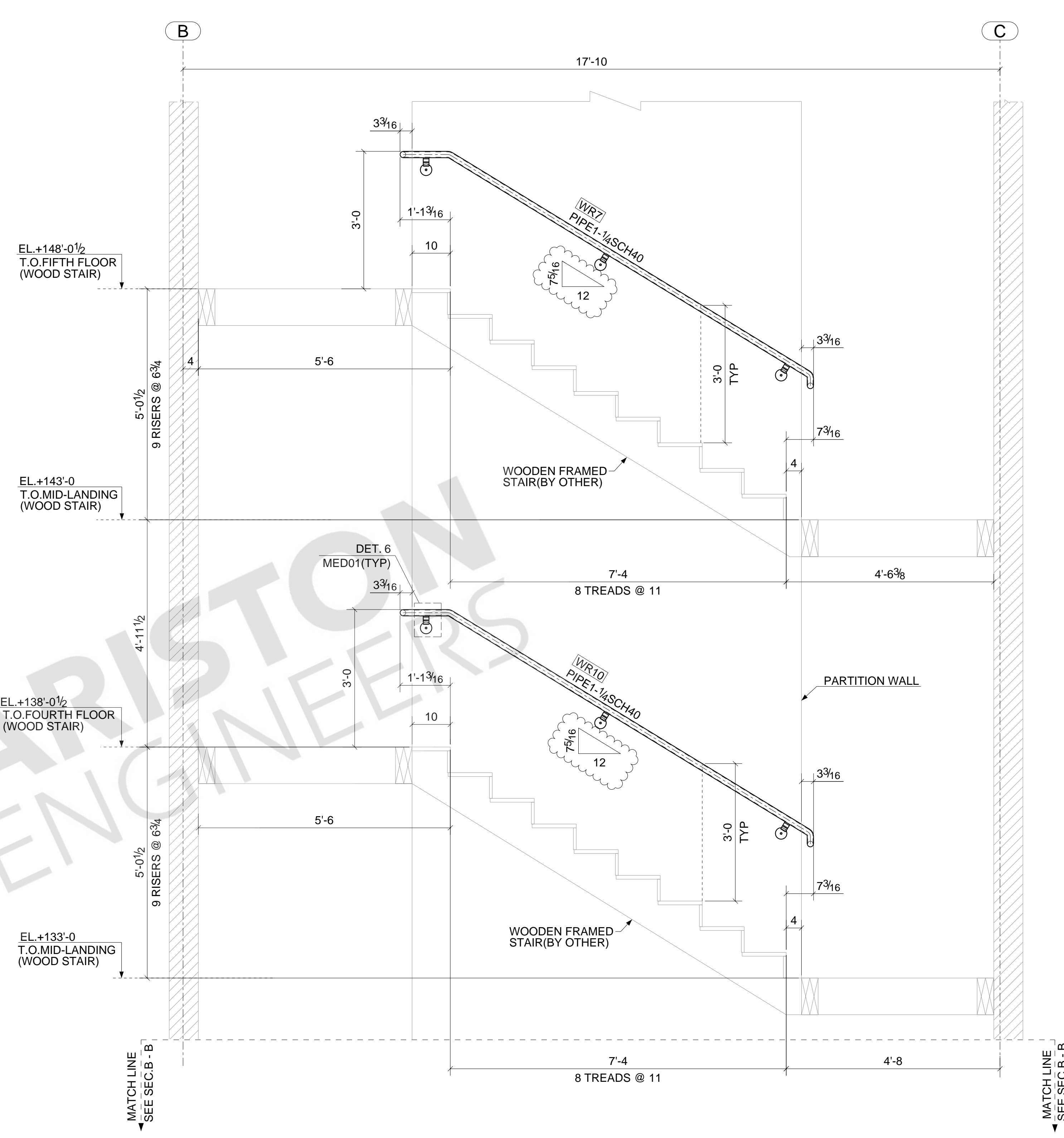
SECTION A - A
SEE ME01

NOTE:
GC TO COORDINATE W/ WOOD STAIR FABRICATOR.

BOLT : 3/4" A325N UNO		HOLES : 13/16" UNO		WELD : E-70XX ELECTRODE		FINISH : AS NOTED	
REVISIONS			ITEM	SECTION SHEET		SCOPE:	
NO	DESCRIPTION	DATE	JOB				
A	ISSUED FOR APPROVAL	02/08/2021	ARCH				
0	ISSUED FOR CONSTRUCTION	03/08/2021	CONTR				
			DWN : RBK	DATE : 01/13/2021	CHK'D: ABP	DATE : 03/08/2021	
			JOB #		DWG NO.	ME03	



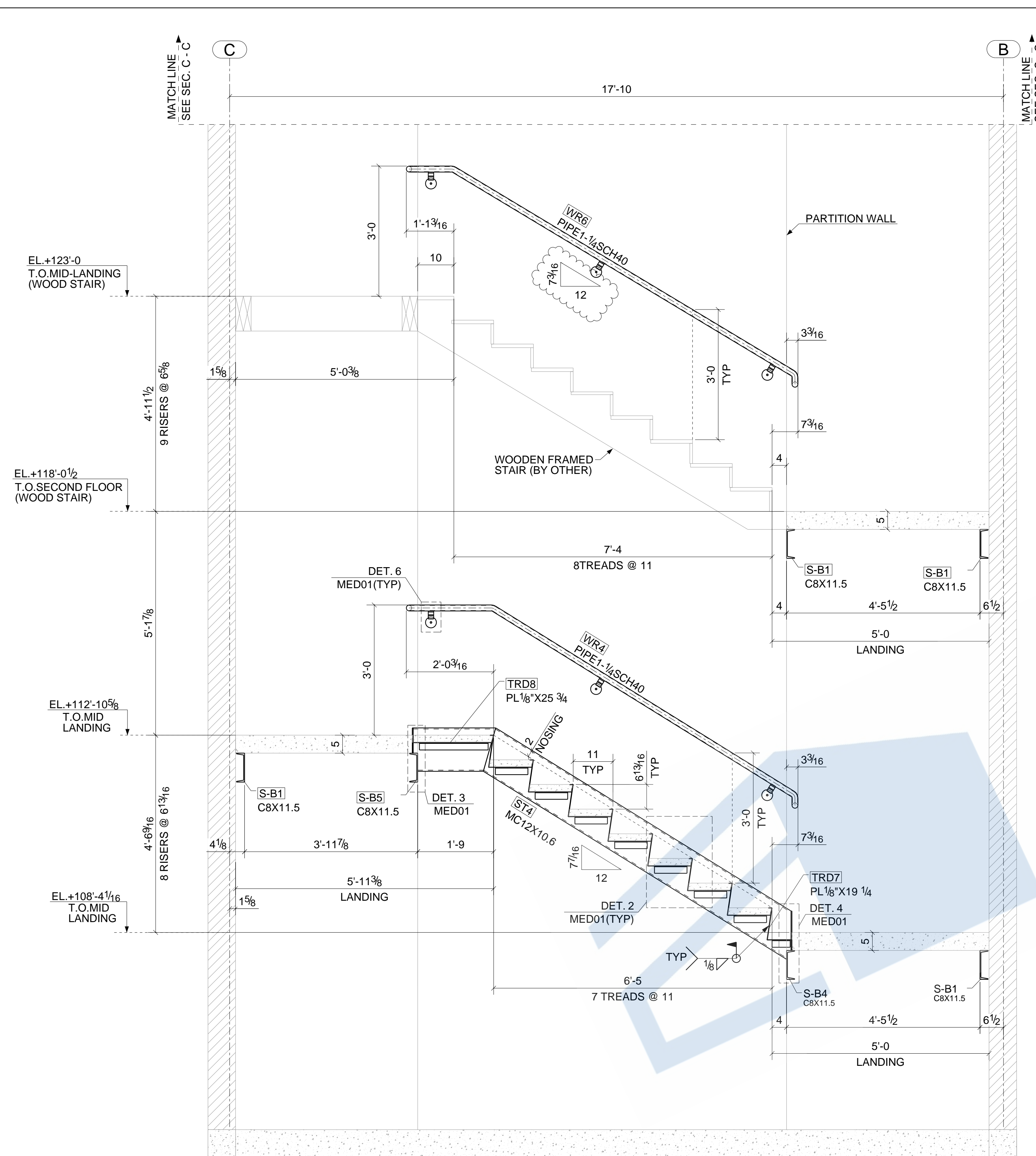
SECTION B - B
SEE ME01



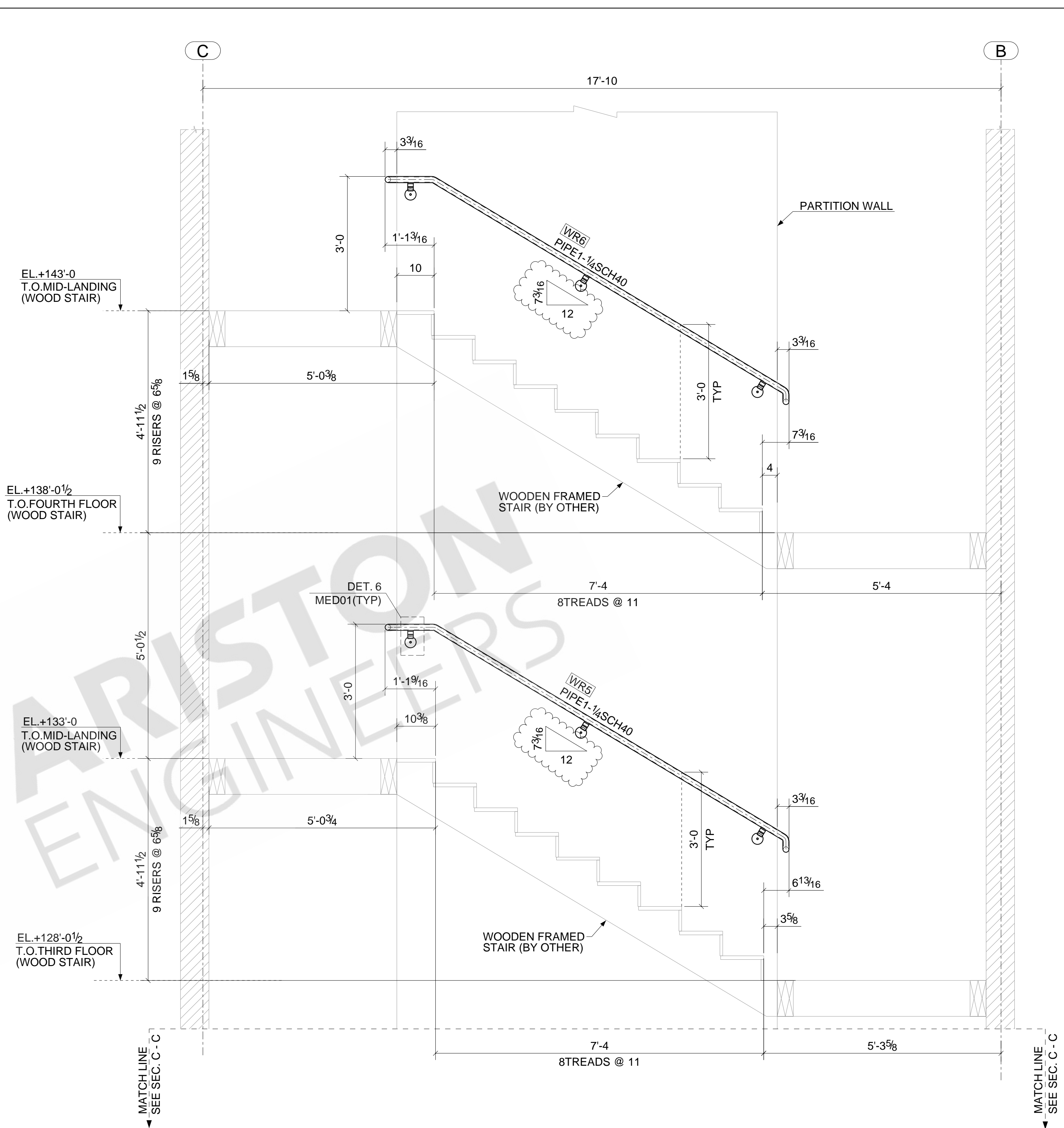
SECTION B - B
SEE ME01

NOTE:
GC TO COORDINATE W/ WOOD STAIR FABRICATOR.

BOLT : 3/4" A325N UNO			
HOLES : 13/16" UNO			
WELD : E-70XX ELECTRODE			
FINISH : AS NOTED			
REVISIONS		ITEM	SECTION SHEET
NO	DESCRIPTION	DATE	JOB
A	ISSUED FOR APPROVAL	02/08/2021	ARCH
0	ISSUED FOR CONSTRUCTION	03/08/2021	CONTR
		DWN : RBK	DATE: 01/13/2021
		CHK'D: ABP	DATE: 03/08/2021
		JOB #	DWG NO. ME04



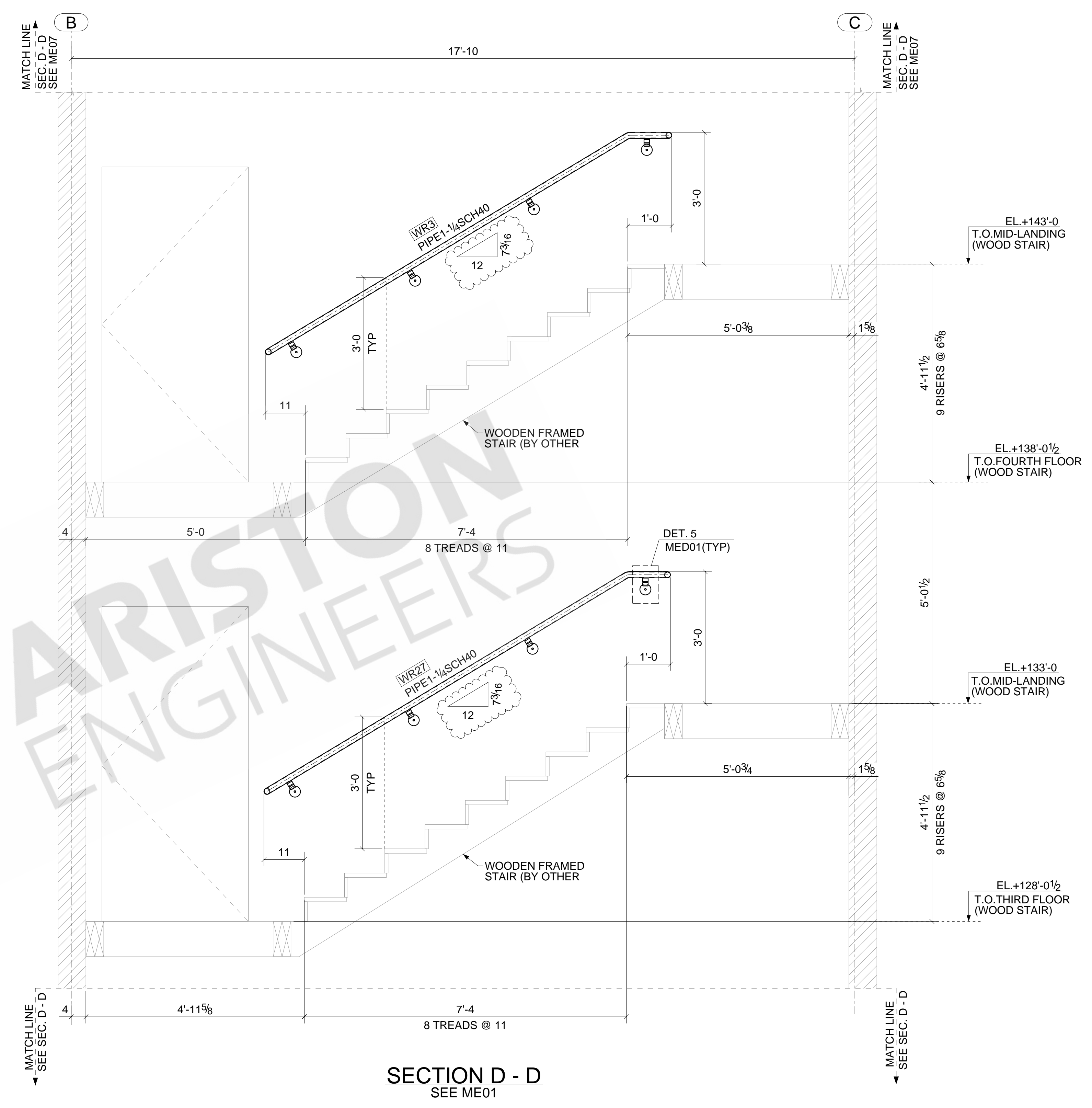
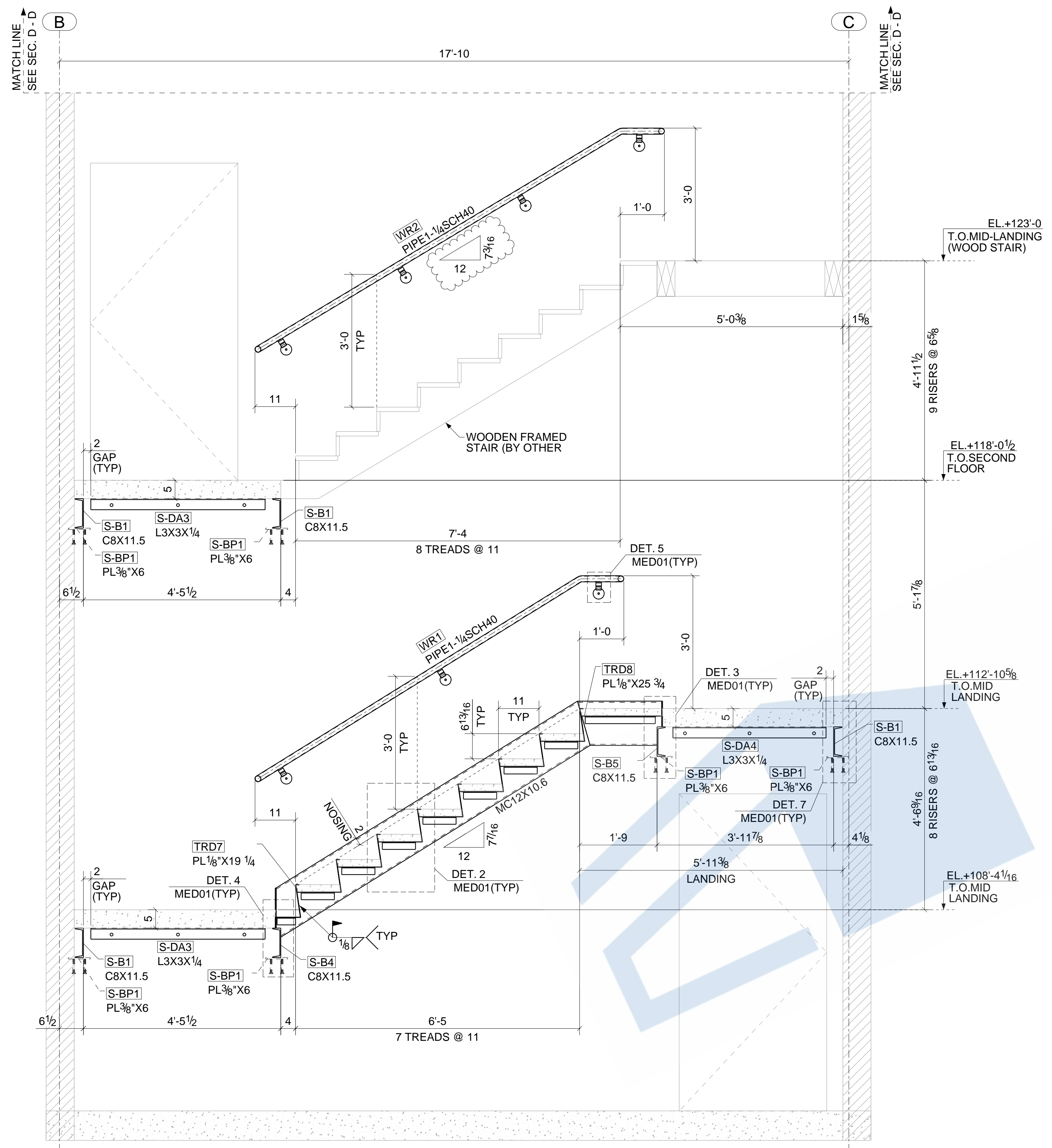
SECTION C - C
SEE ME01



SECTION C - C
SEE ME01

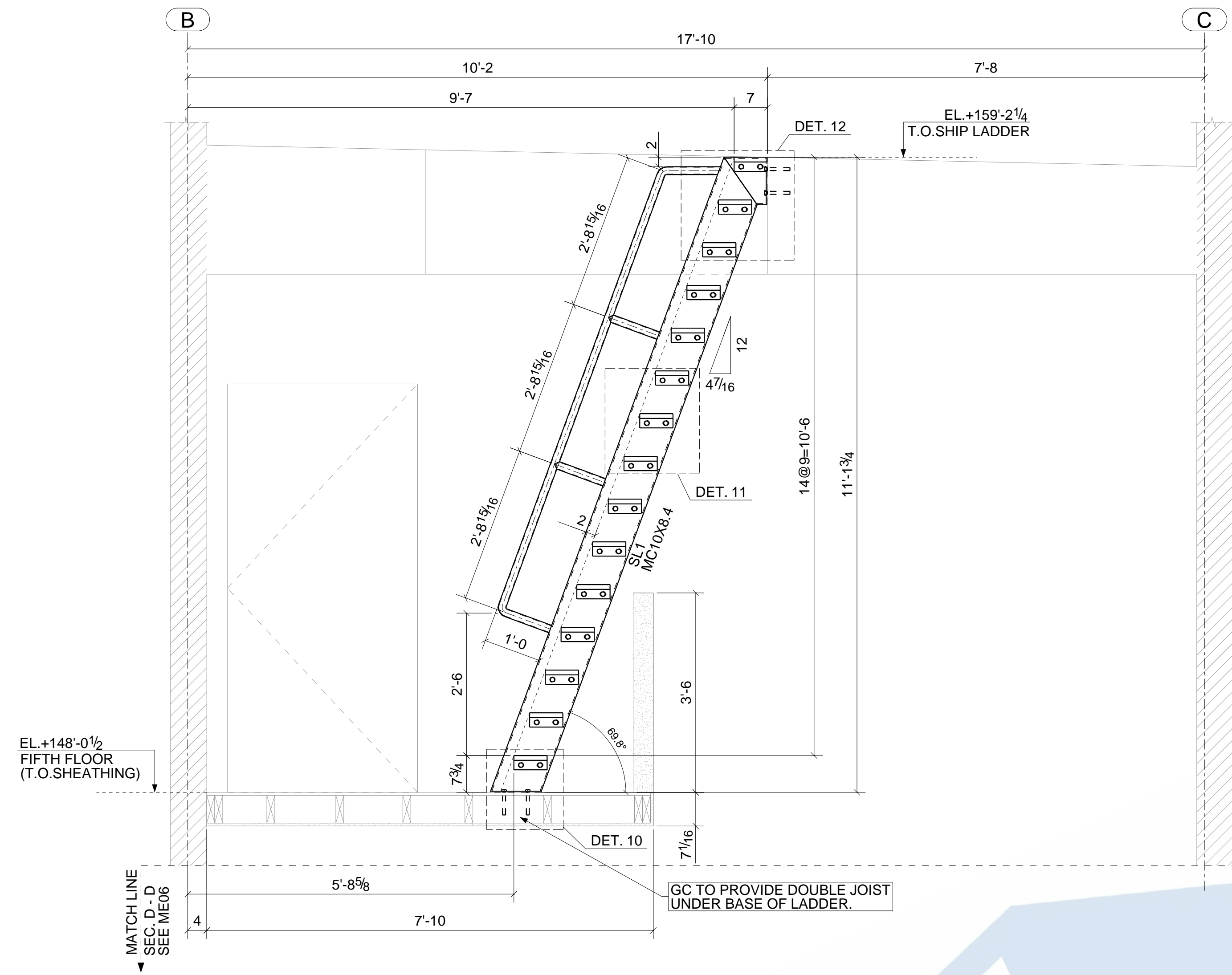
NOTE:
GC TO COORDINATE W/ WOOD STAIR FABRICATOR.

BOLT : 3/4" A325N UNO			
HOLES : 13/16" UNO			
WELD : E-70XX ELECTRODE			
FINISH : AS NOTED			
REVISIONS		ITEM	SECTION SHEET
NO	DESCRIPTION	DATE	JOB
A	ISSUED FOR APPROVAL	02/08/2021	ARCH
0	ISSUED FOR CONSTRUCTION	03/08/2021	CONTR
DWN : RBK		DATE : 01/18/2021	CHK'D: ABP
JOB #			DATE : 03/08/2021
		DWG NO.	ME05

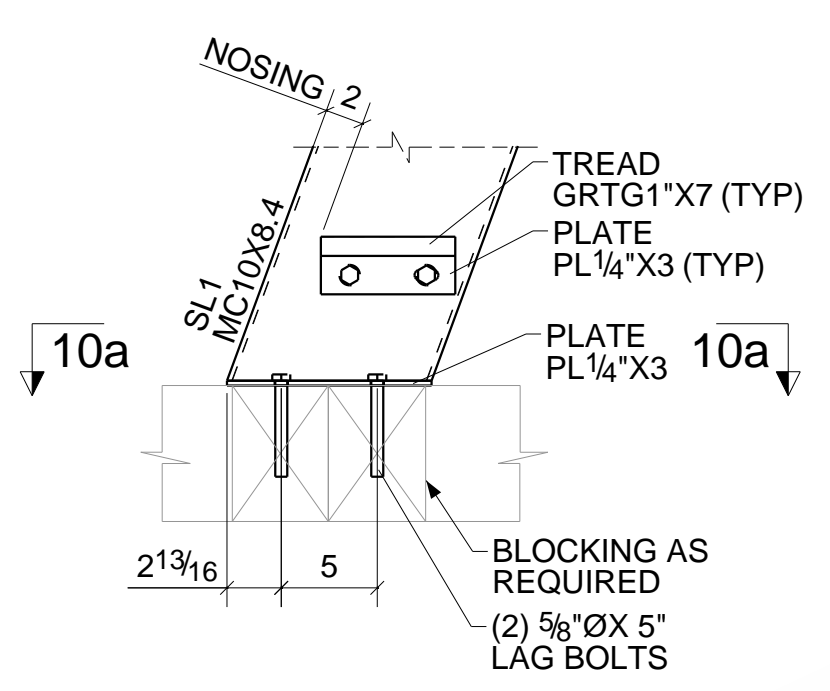
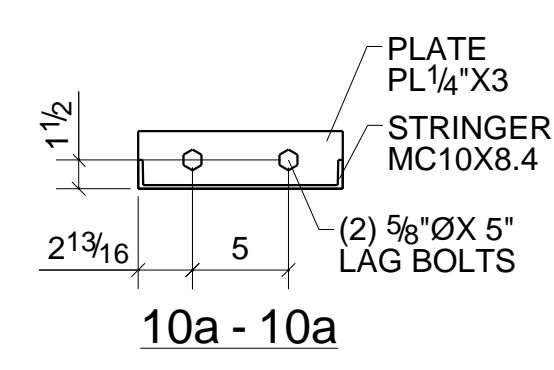


NOTE:
GC TO COORDINATE W/ WOOD STAIR FABRICATOR.

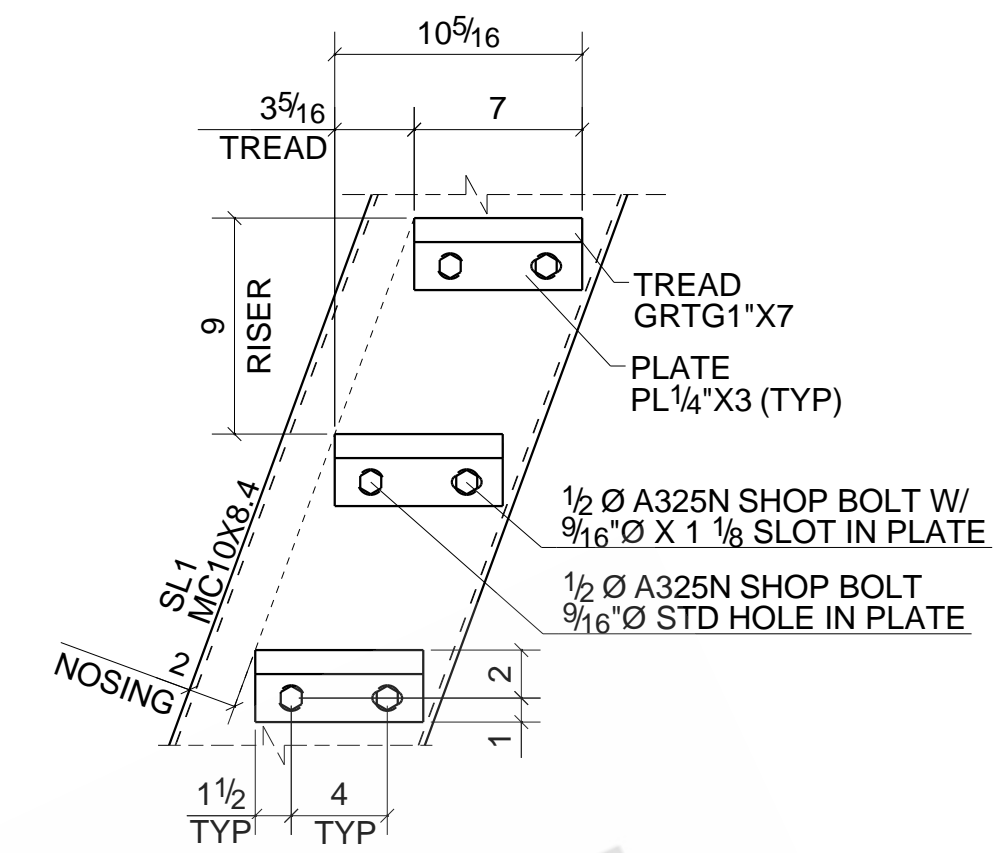
BOLT : 3/4" A325N UNO			
HOLES : 13/16" UNO			
WELD : E-70XX ELECTRODE			
FINISH : AS NOTED			
REVISIONS		ITEM	SECTION SHEET
NO	DESCRIPTION	DATE	JOB
A	ISSUED FOR APPROVAL	02/08/2021	ARCH
0	ISSUED FOR CONSTRUCTION	03/08/2021	CONTR
DWN : RBK		DATE : 01/18/2021	CHK'D : ABP
JOB #		DATE : 03/08/2021	ME06
		DWG NO.	



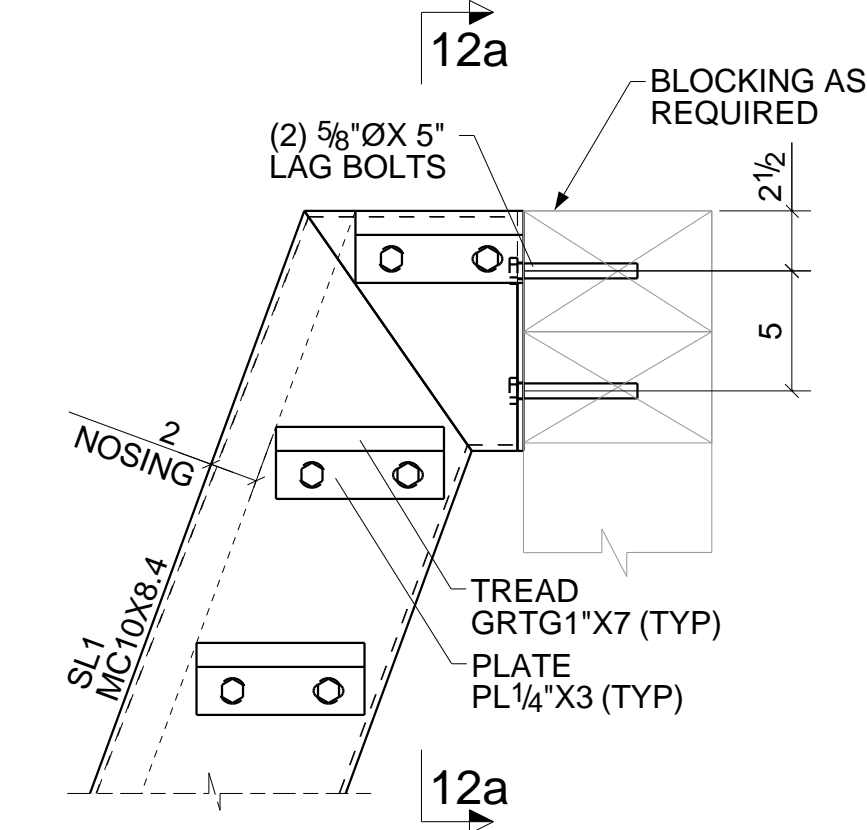
SECTION D - D
SEE ME01



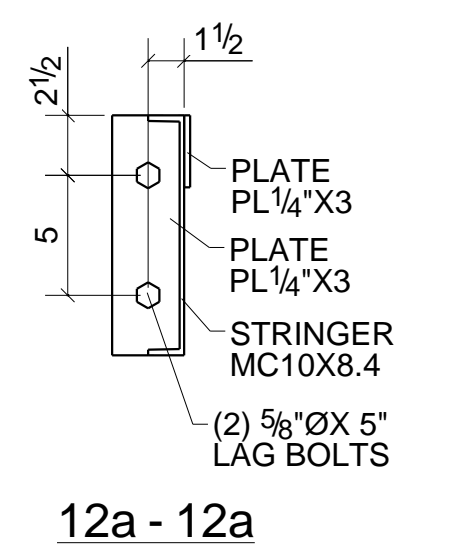
DETAIL 10



DETAIL 11



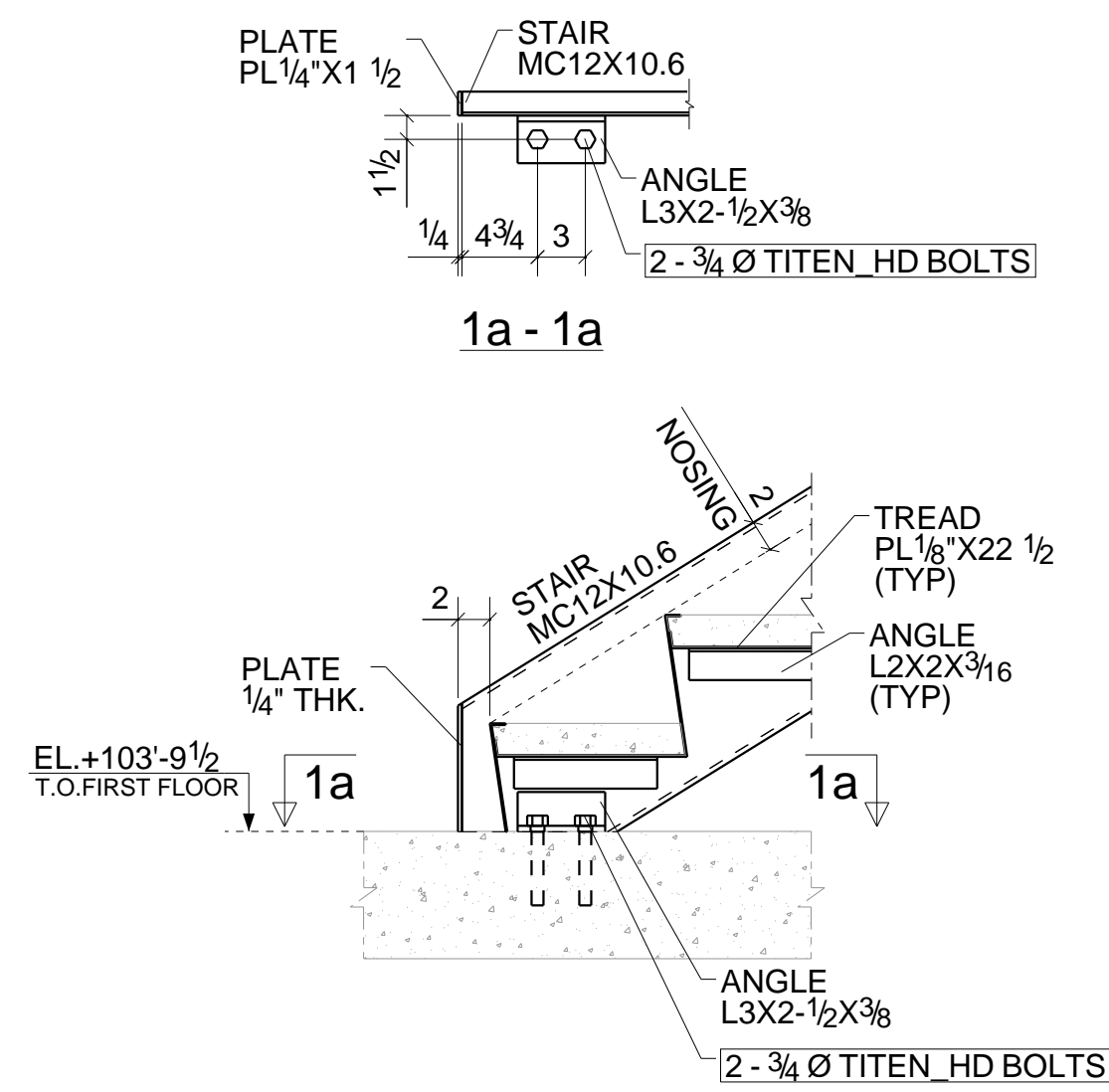
DETAIL 12



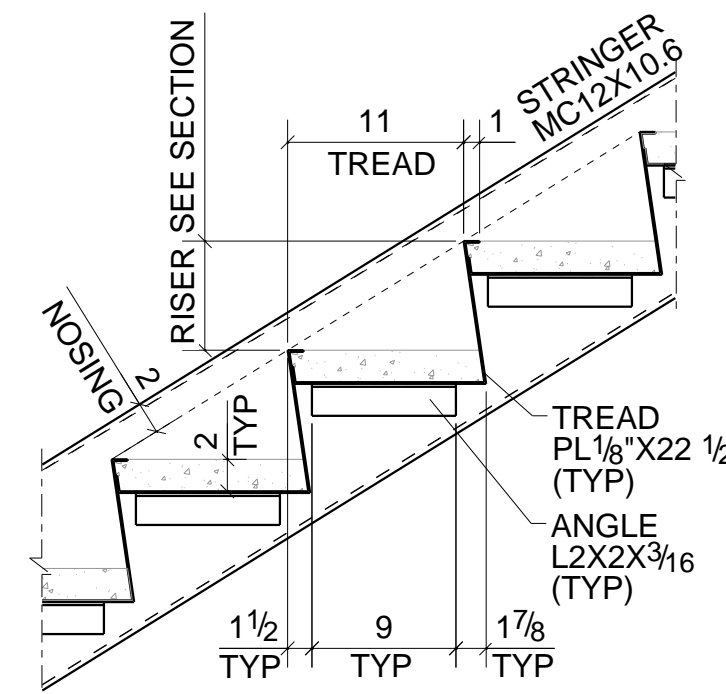
12a - 12a

ARISTON ENGINEERS

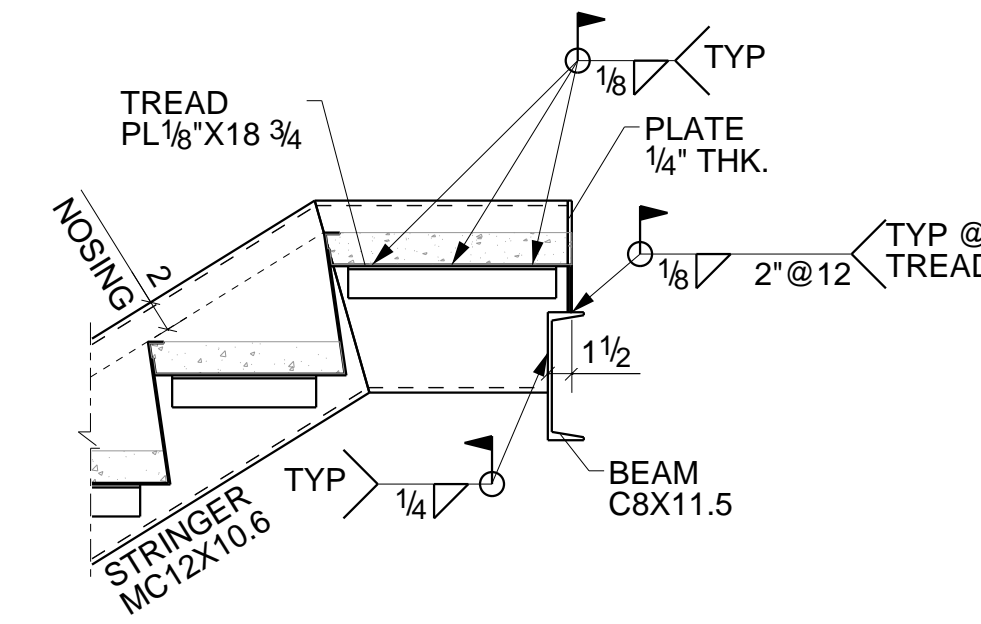
BOLT : 3/4" A325N UNO			
HOLES : 13/16" UNO			
WELD : E-70XX ELECTRODE			
FINISH : AS NOTED			
REVISIONS		ITEM	SECTION SHEET
NO	DESCRIPTION	DATE	JOB
A	ISSUED FOR APPROVAL	02/08/2021	ARCH
0	ISSUED FOR CONSTRUCTION	03/08/2021	CONTR
		DWN : RBK	DATE: 01/21/2021
		CHK'D: ABP	DATE: 03/08/2021
		JOB #	DWG NO. ME07



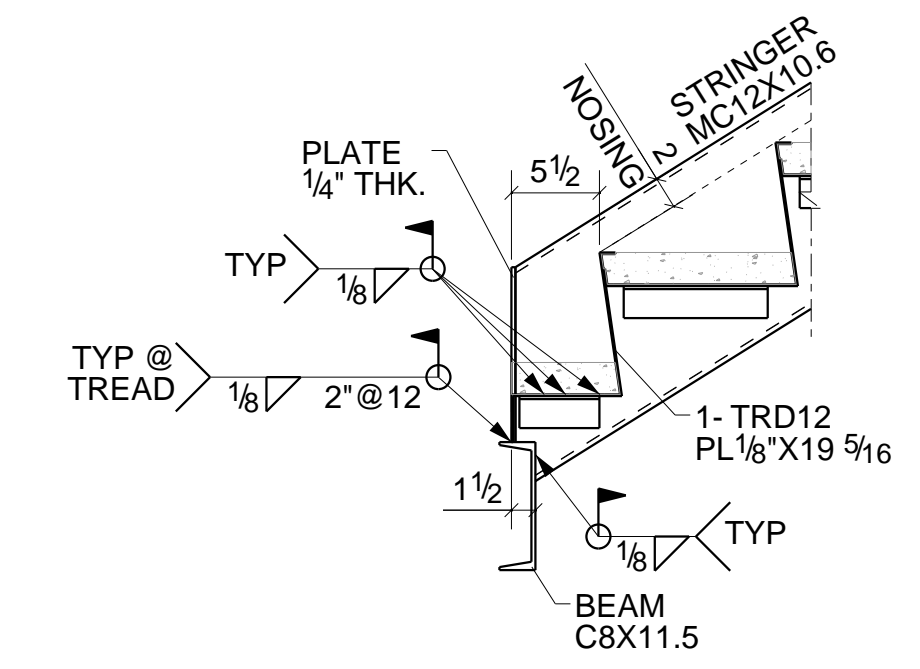
DETAIL 1
SEE ME03, ME04



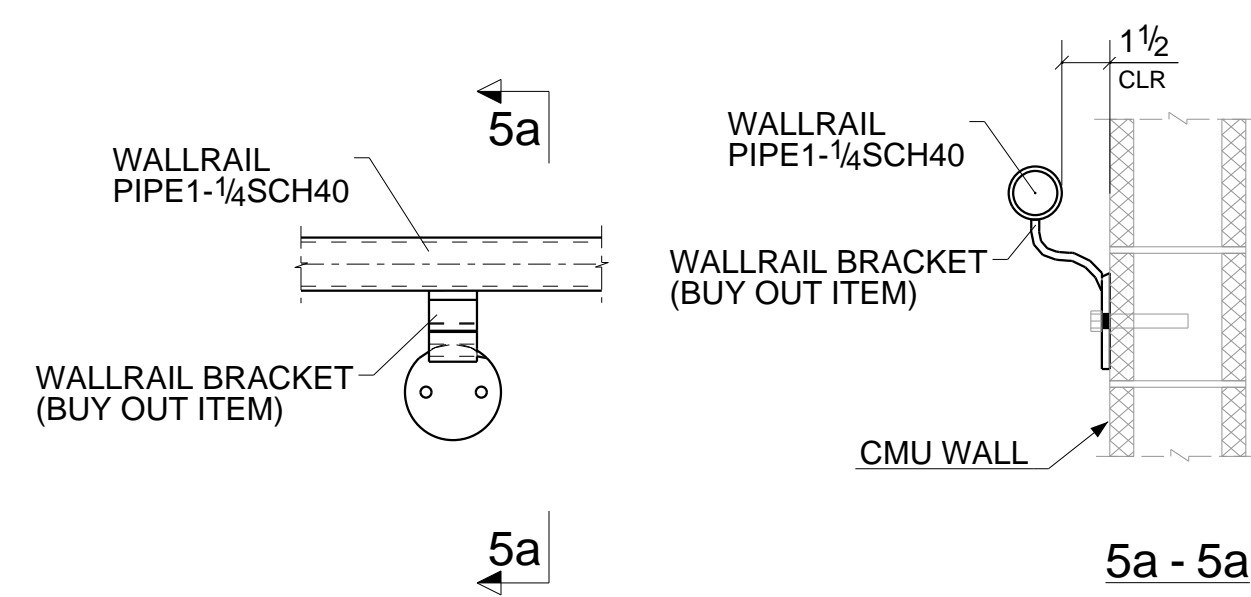
DETAIL 2
TYPICAL TREAD DETAIL
SEE ME03 TO ME06 & ME11 TO ME13



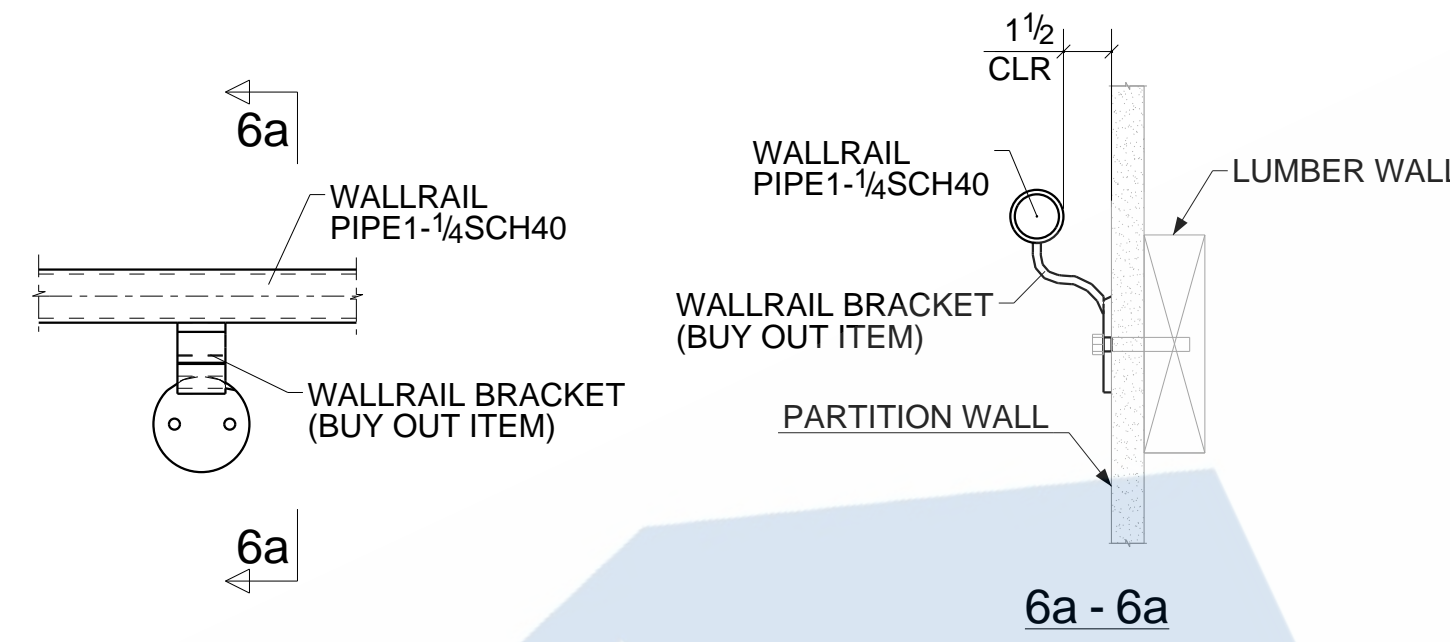
DETAIL 3
TYPICAL STAIR CONNECTION AT TOP SIDE
SEE ME03 TO ME06 & ME11 TO ME13



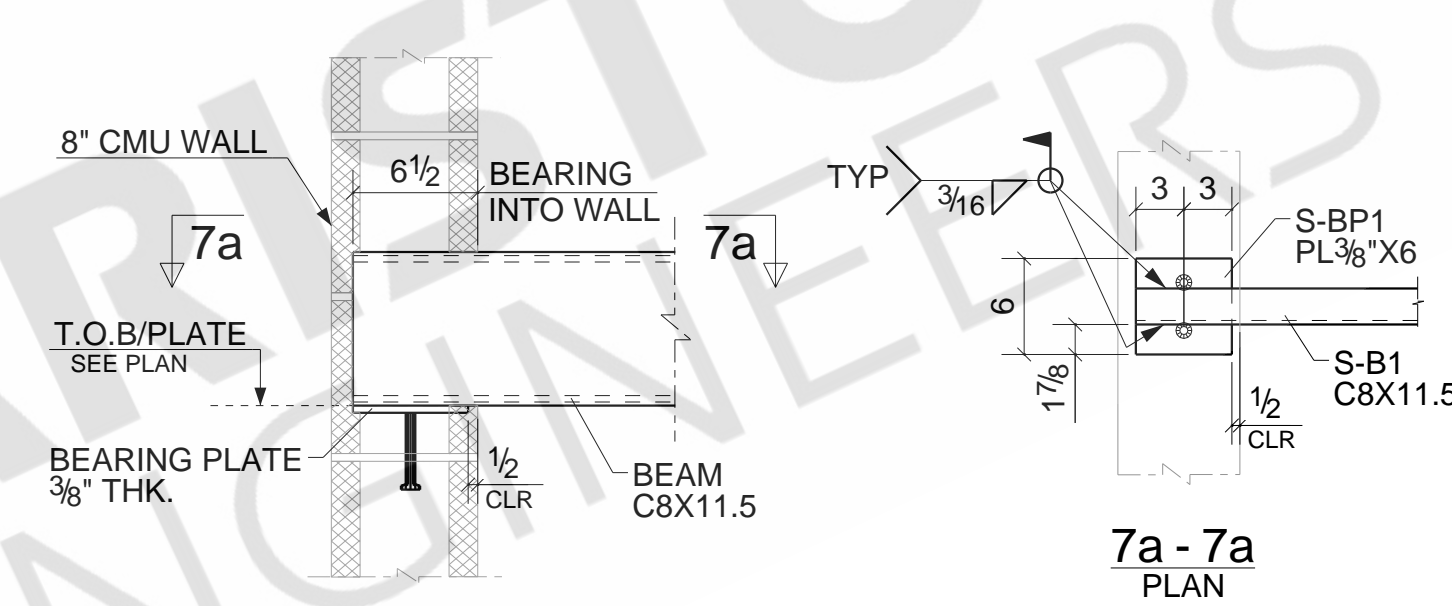
DETAIL 4
TYPICAL STAIR CONNECTION AT BOTTOM SIDE
SEE ME03 TO ME06 & ME11 TO ME13



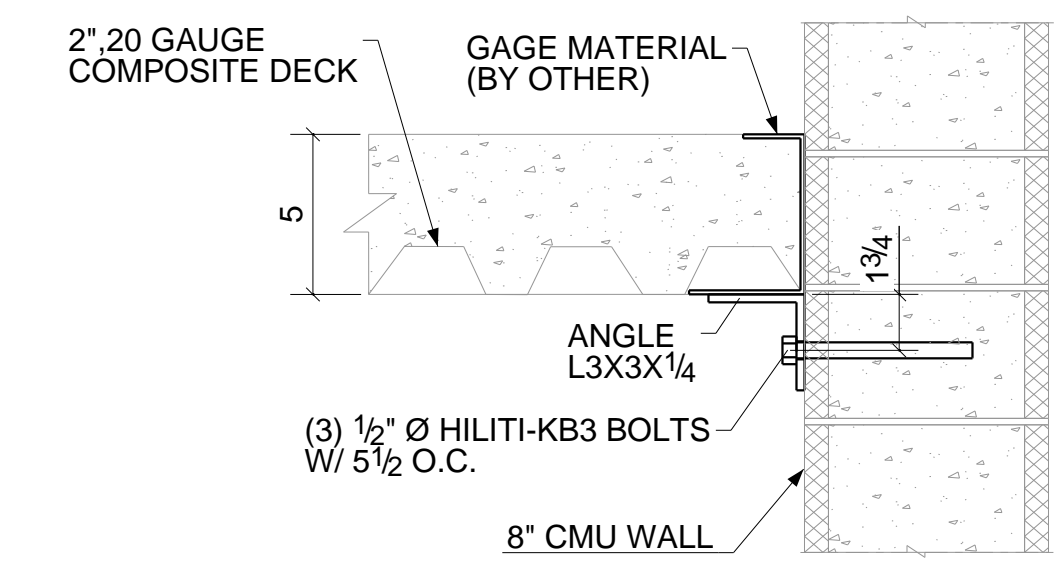
DETAIL 5
TYPICAL WALLRAIL CONNECTION DETAIL (TYPE-1)
SEE ME03, ME06, ME10 & ME13



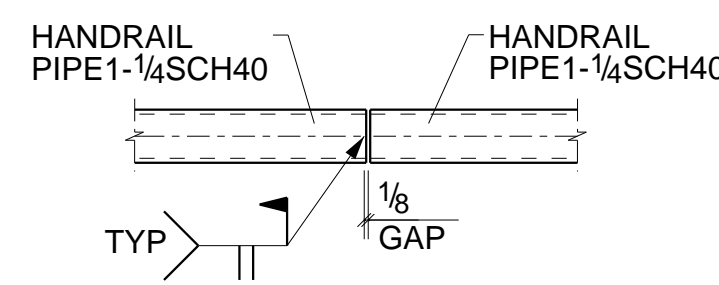
DETAIL 6
TYPICAL WALLRAIL CONNECTION DETAIL (TYPE-2)
SEE ME04, ME05, ME11 & ME12



DETAIL 7
TYPICAL LANDING BEAM BEARING PLATE DETAIL
SEE ME03, ME06



DETAIL 8
SEE ME01 & ME08



DETAIL 9
TYPICAL HANDRAIL SPLICE CONNECTION DETAIL
SEE ME01, ME02, ME08, ME09 & ME13

BOLT : 3/4" A325N UNO			
HOLES : 13/16" UNO			
WELD : E-70XX ELECTRODE			
FINISH : AS NOTED			
REVISIONS		ITEM	DEATIL SHEET
NO	DESCRIPTION	DATE	JOB
A	ISSUED FOR APPROVAL	02/08/2021	ARCH
0	ISSUED FOR CONSTRUCTION	03/08/2021	CONTR
		DWN : RBK	DATE: 01/18/2021
		CHK'D: ABP	DATE: 03/08/2021
		JOB #	DWG NO.
			MED01