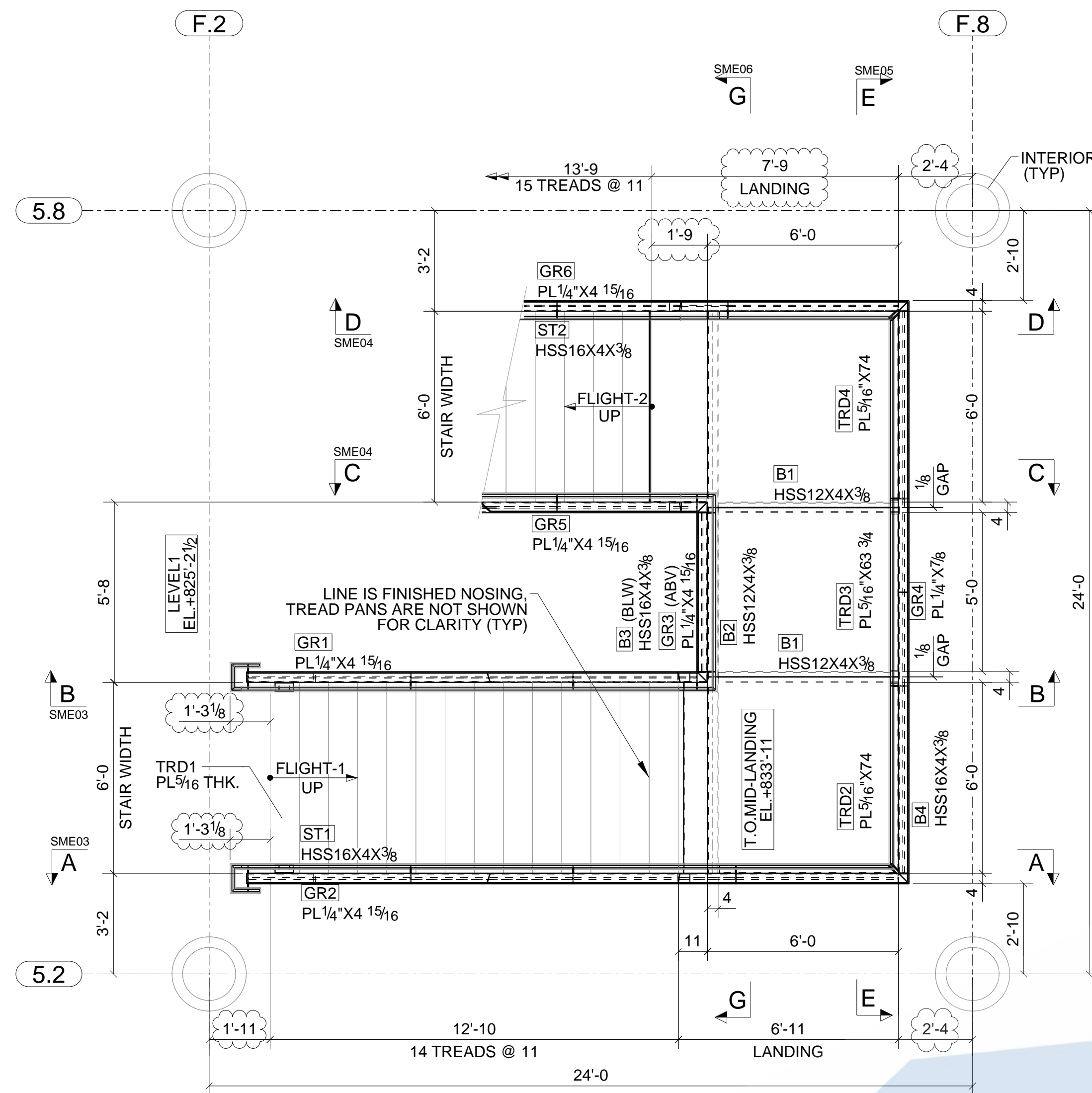


MONUMENTAL STAIR (3D-VIEW)

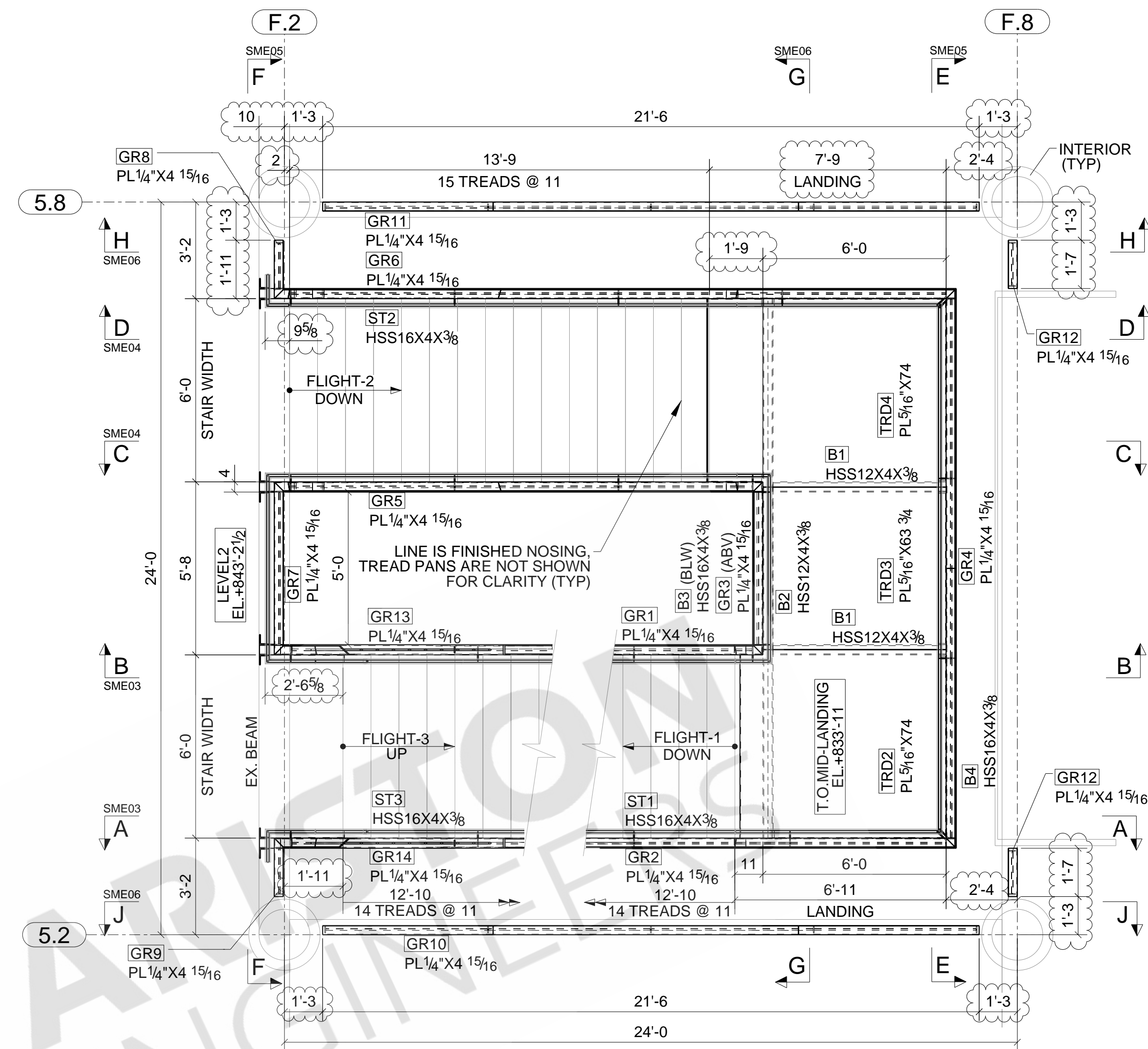
REF DWG:

DRAWING STATUS

SHOP PAINT:	AS NOTED	A36 U.N.O.
AS NOTED	AS NOTED	E70 XX LH
PROJECT:	TRULIANT MONUMENTAL STAIR	
DESCRIPTION:	MONUMENTAL STAIR 3D-VIEW	
ARCH:	ENG:	JOB NO:
CUSTOMER:	SHEET NO: SME-3D	
	DRAWN BY: DSA	CHECKED BY: RAD



ENLARGED STAIR PLAN AT LEVEL 1
(REF:9/A601)



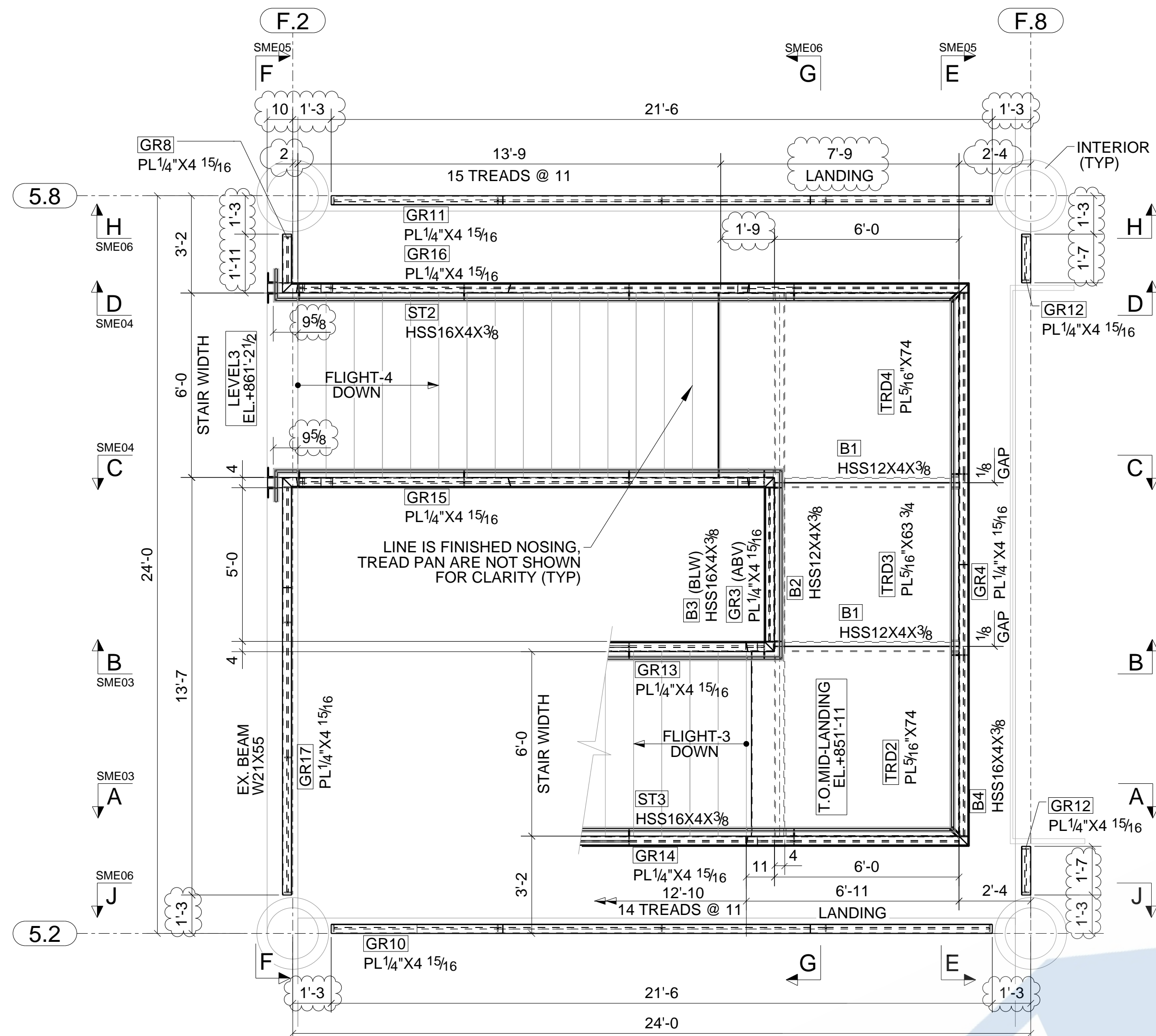
ENLARGED STAIR PLAN AT LEVEL 2
(REF:6A/A601)

GC NOTES:
1.G.C. TO FIELD VERIFY ALL CONDITION, DIMENSIONS & ELEVATION.
2.G.C. TO VERIFY ALL CLOUDED PORTION.

REF DWG:

DRAWING STATUS

SHOP PAINT:			AS NOTED	A36 U.N.O.
AS NOTED			AS NOTED	E70 XX LH
PROJECT: TRULIANT MONUMENTAL STAIR				DRAWN BY: DSA
DESCRIPTION: ENLARGED STAIR PLAN AT LEVEL 1 & 2				CHECKED BY: RAD
ARCH:			ENG:	JOB NO:
CUSTOMER:				SHEET NO: SME01



ENLARGED STAIR PLAN AT LEVEL 3
(REF:10/A601)

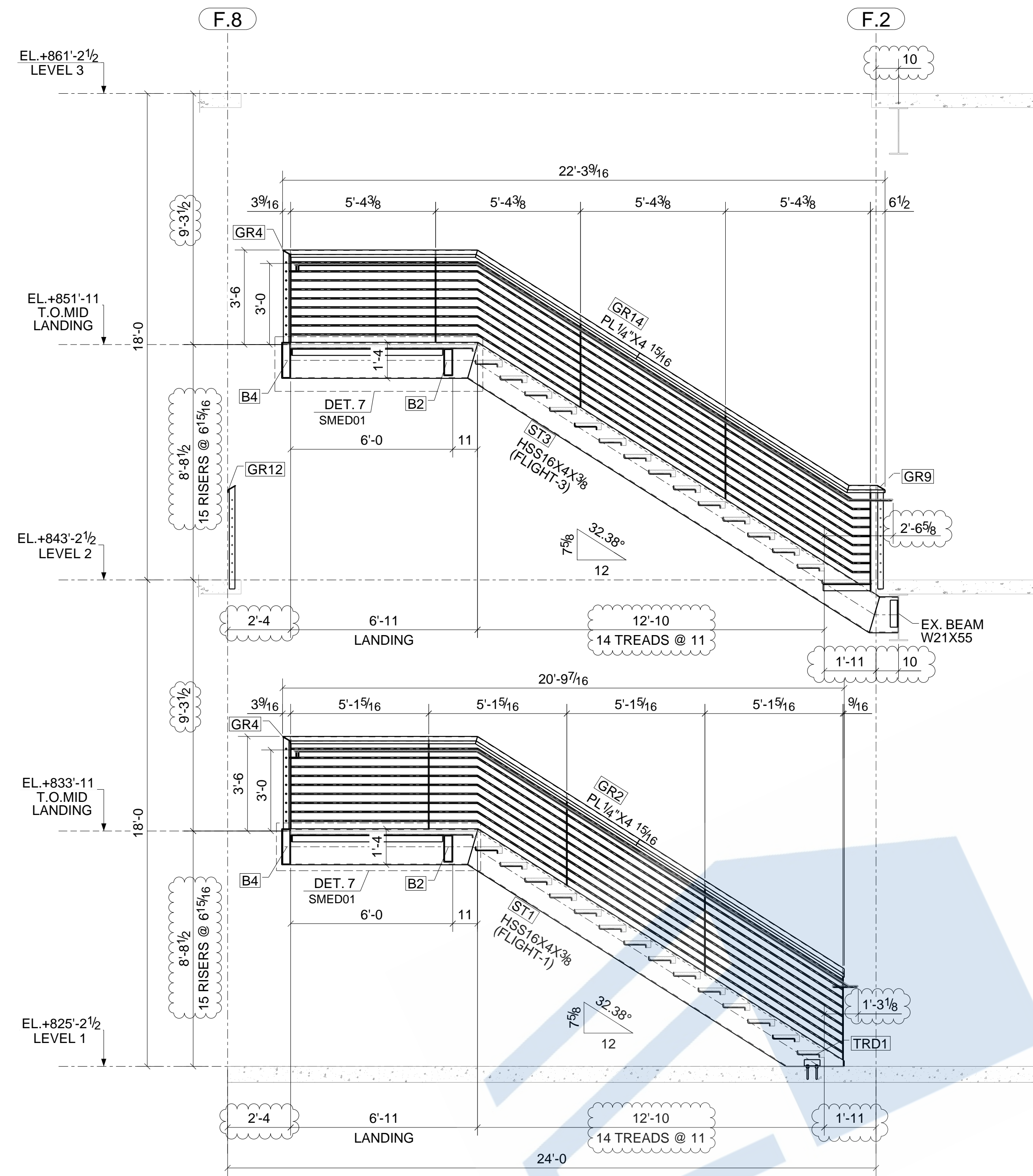
GC NOTES:
1.G.C. TO FIELD VERIFY ALL CONDITION DIMENSIONS & ELEVATION.
2.G.C. TO VERIFY ALL CLOUDED PORTION.

REF DWG:

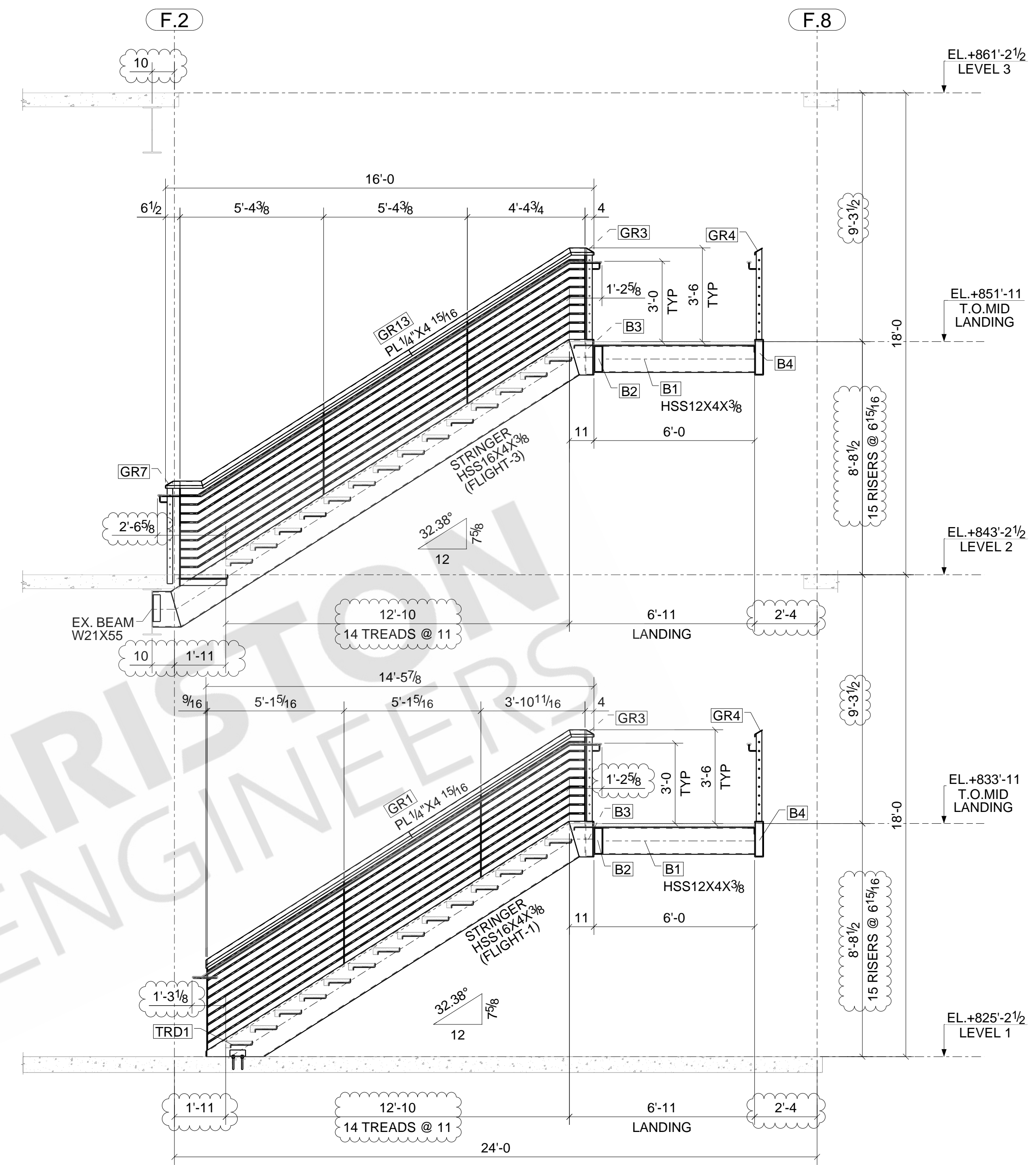
ARISTON
ENGINEERS

DRAWING STATUS

SHOP PAINT:		AS NOTED	A36 U.N.O.
AS NOTED		AS NOTED	E70 XX LH
PROJECT: TRULIANT MONUMENTAL STAIR			DRAWN BY: DSA
DESCRIPTION: ENLARGED STAIR PLAN AT LEVEL 3			CHECKED BY: RAD
ARCH:	ENG:		JOB NO:
CUSTOMER:			SHEET NO: SME02



SECTION A - A
SEE SME01 & SME02 (REF:6C/A601)

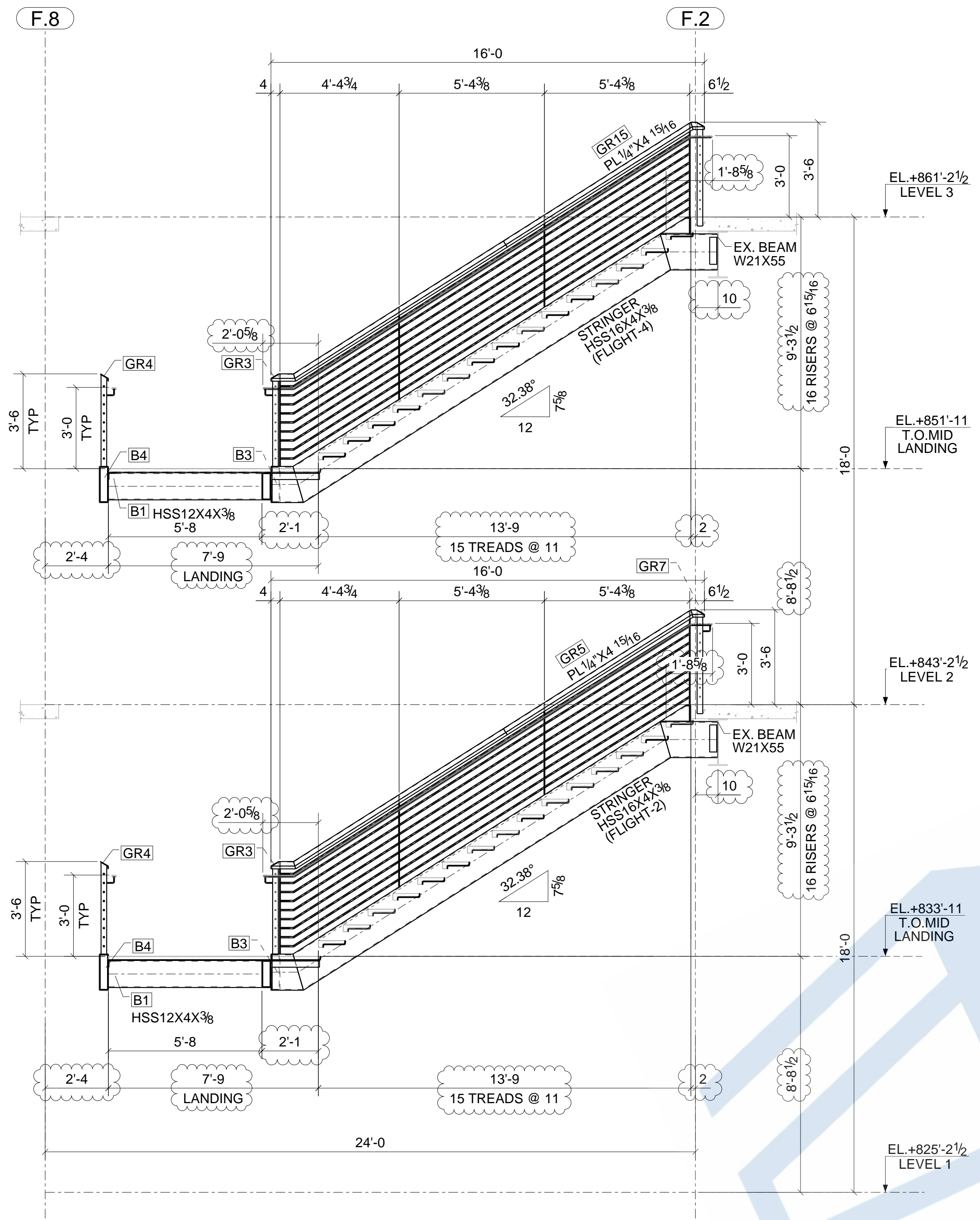


SECTION B - B
SEE SME01 & SME02 (REF:6C/A601)

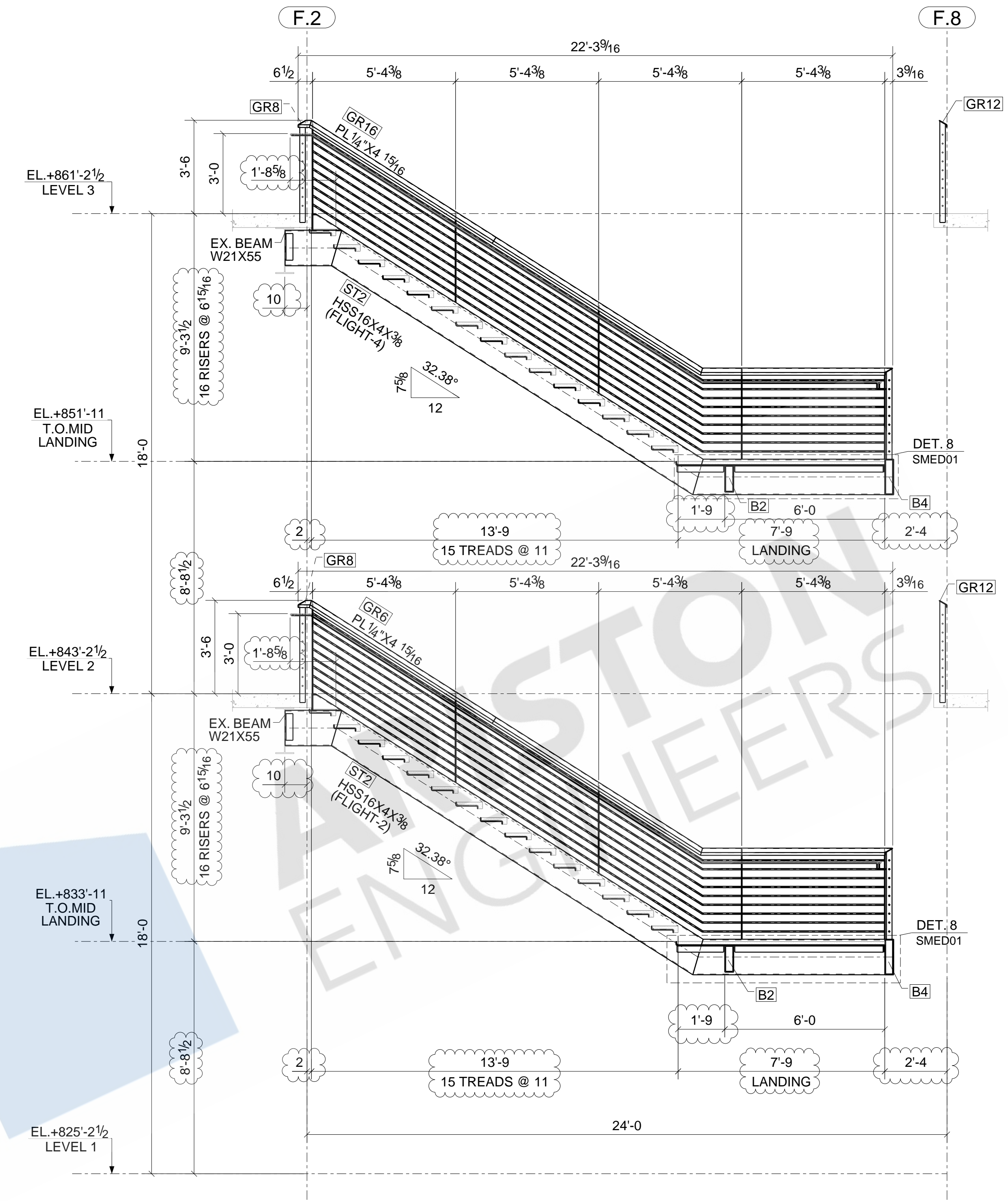
GC NOTES:
1.G.C. TO FIELD VERIFY ALL CONDITION DIMENSIONS & ELEVATION.
2.G.C. TO VERIFY ALL CLOUDED PORTION.

REF DWG:

DRAWING STATUS			
SHOP PAINT:	AS NOTED	A36 U.N.O.	
AS NOTED	AS NOTED	E70 XX LH	
PROJECT: TRULIANT MONUMENTAL STAIR			DRAWN BY: DSA
DESCRIPTION: SECTION SHEET			CHECKED BY: RAD
ARCH:	ENG:	JOB NO:	
CUSTOMER:			SHEET NO: SME03



SECTION C - C
SEE SME01 & SME02 (REF:6C/A601)

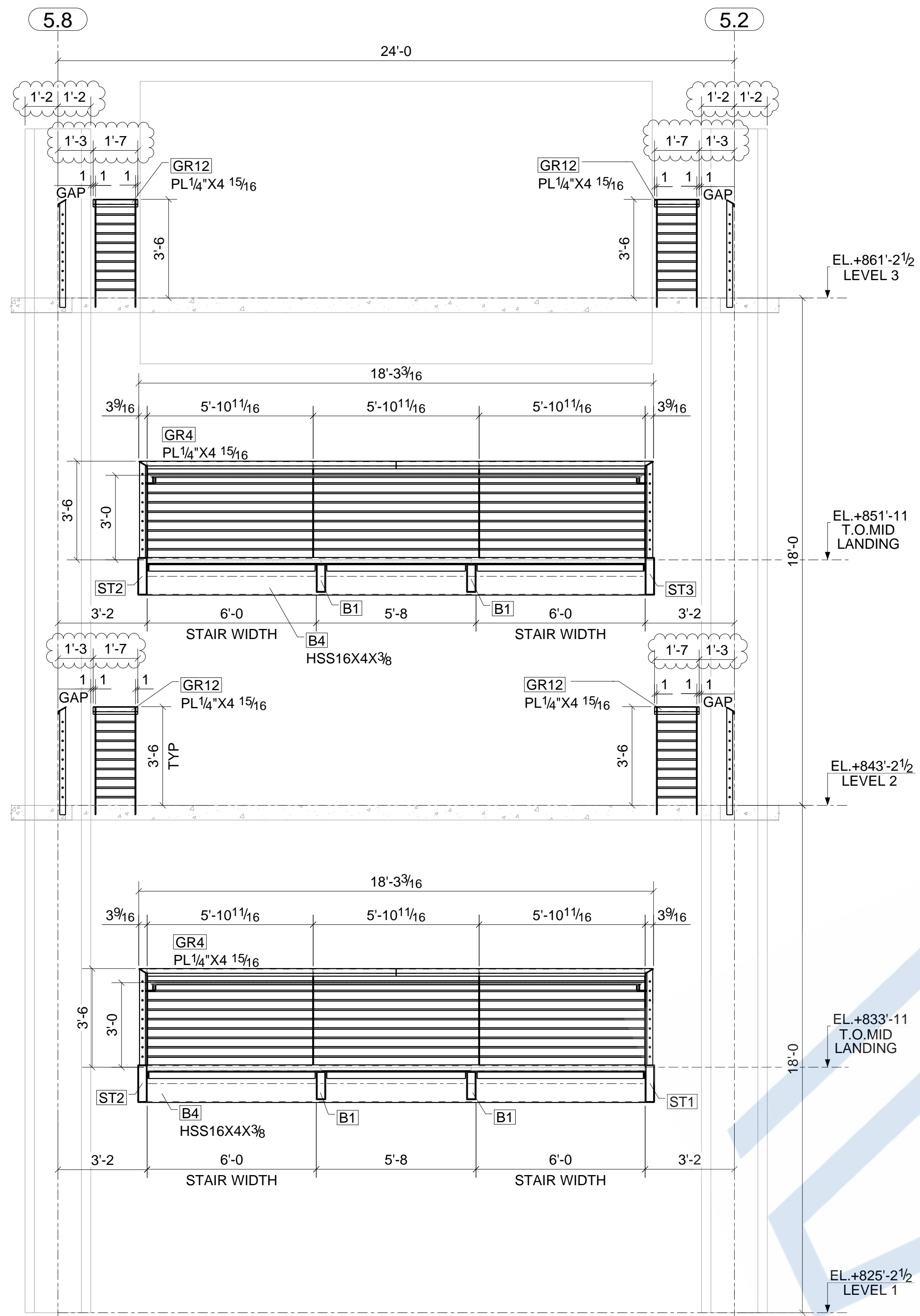


SECTION D - D
SEE SME01 & SME02 (REF:6C/A601)

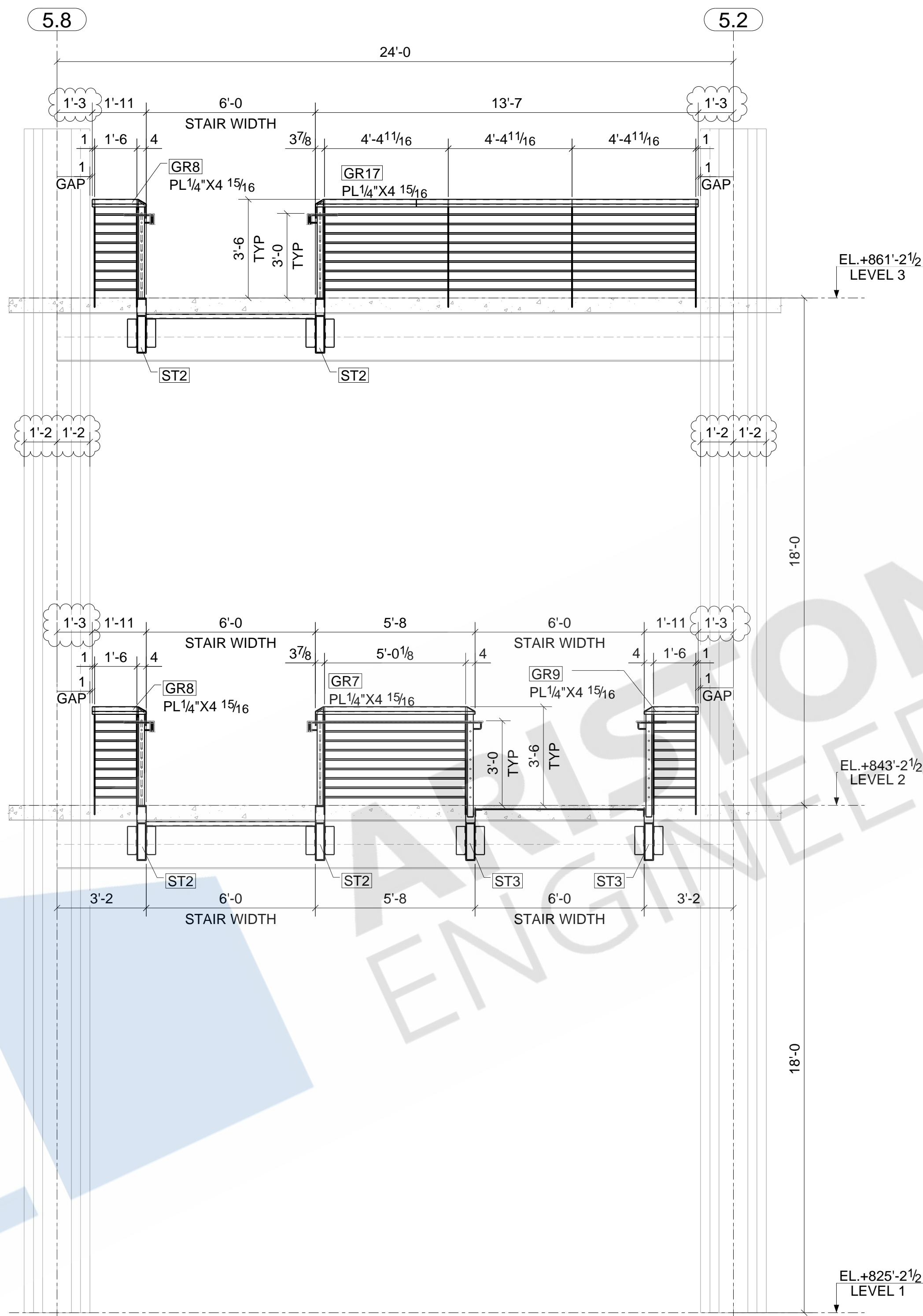
GC NOTES:
1.G.C. TO FIELD VERIFY ALL CONDITION, DIMENSIONS & ELEVATION.
2.G.C. TO VERIFY ALL CLOUDED PORTION.

REF DWG:

DRAWING STATUS			
SHOP PAINT:	AS NOTED	A36 U.N.O.	
AS NOTED	AS NOTED	E70 XX LH	
PROJECT: TRULIANT MONUMENTAL STAIR			DRAWN BY: DSA
DESCRIPTION: SECTION SHEET			CHECKED BY: RAD
ARCH:	ENG:	JOB NO:	
CUSTOMER:			SHEET NO: SME04



SECTION E - E
SEE SME01 & SME02

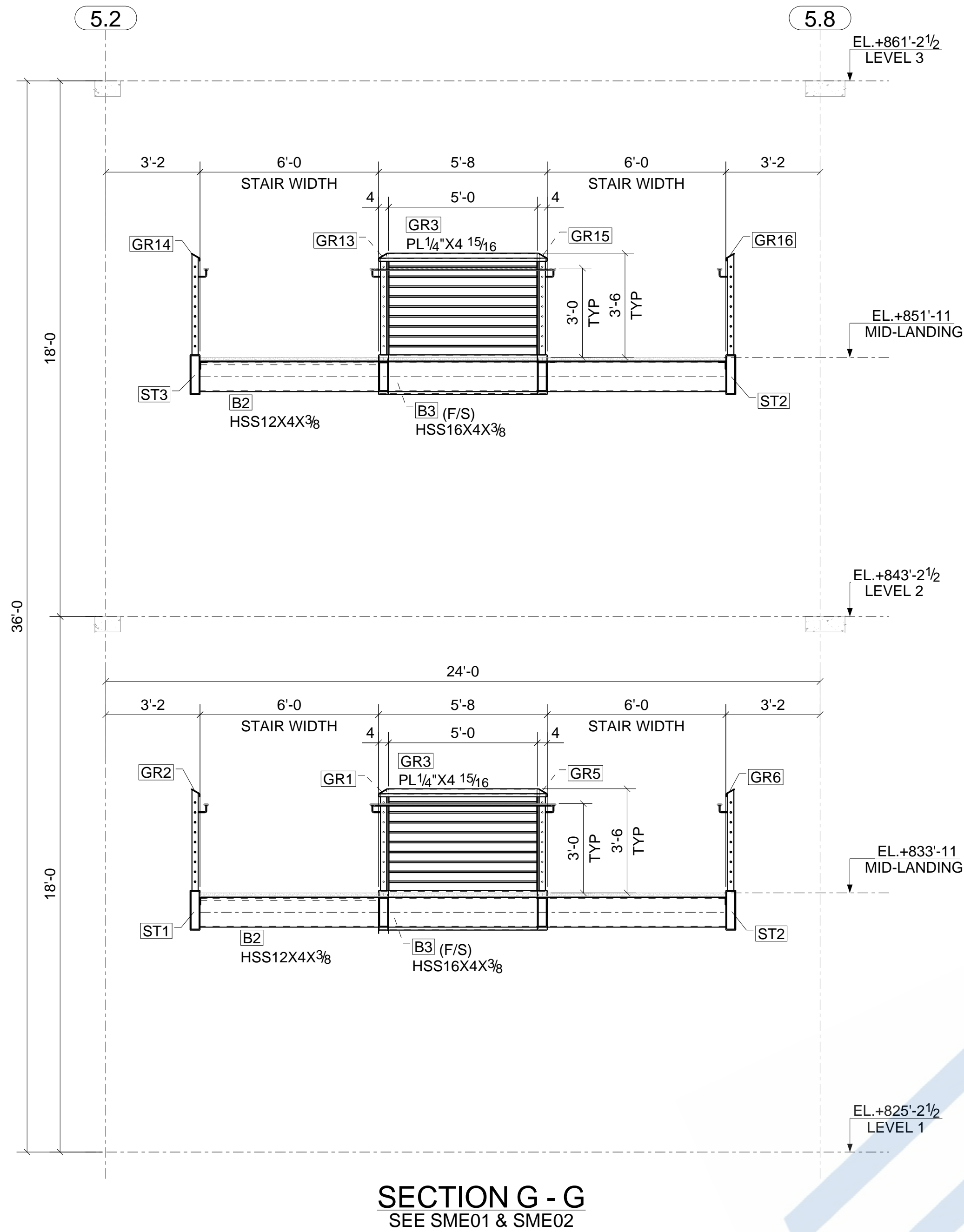


SECTION F - F
SEE SME01 & SME02

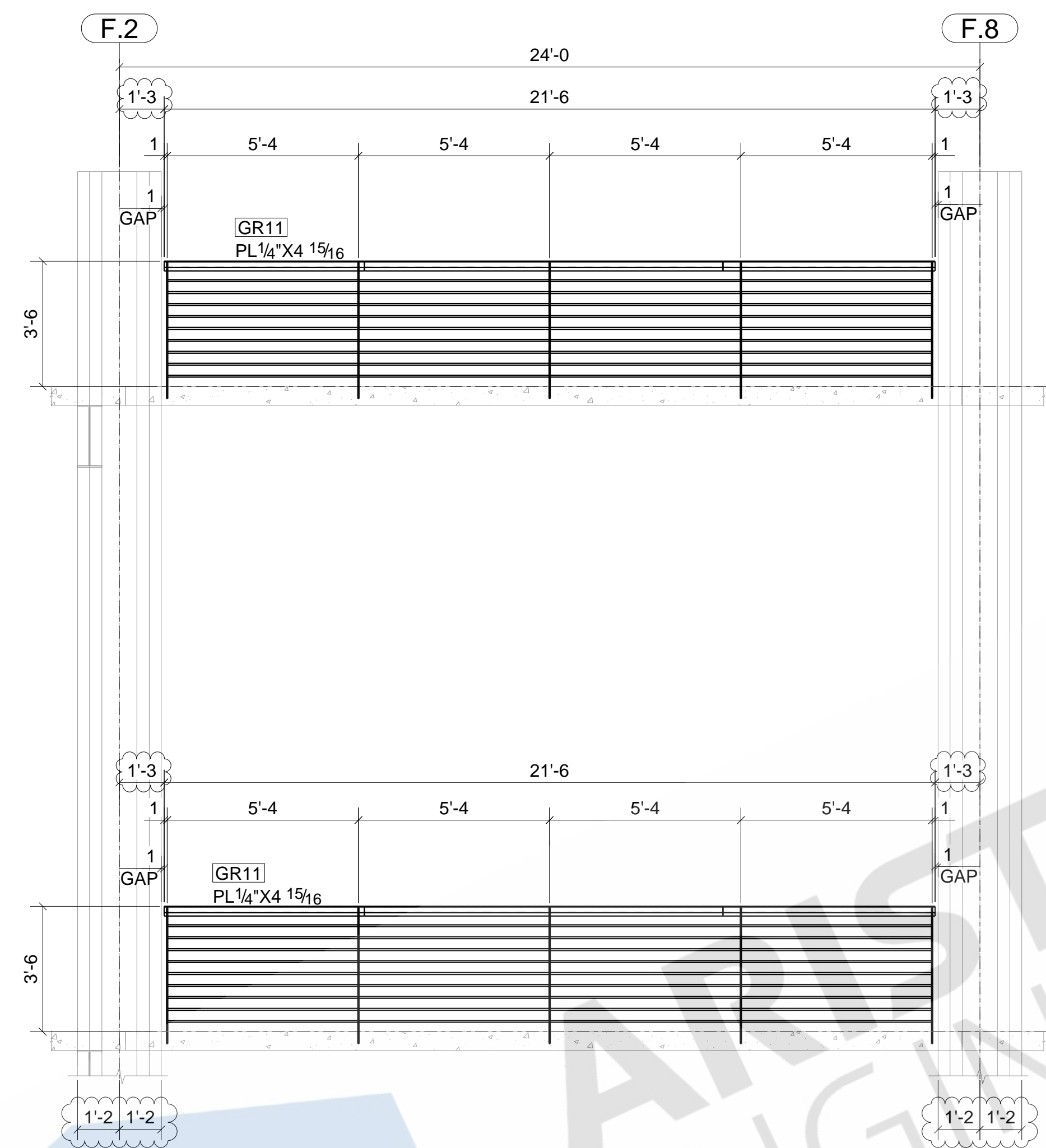
GC NOTES:
1.G.C. TO FIELD VERIFY ALL CONDITION, DIMENSIONS & ELEVATION.
2.G.C. TO VERIFY ALL CLOUDED PORTION.

REF DWG:

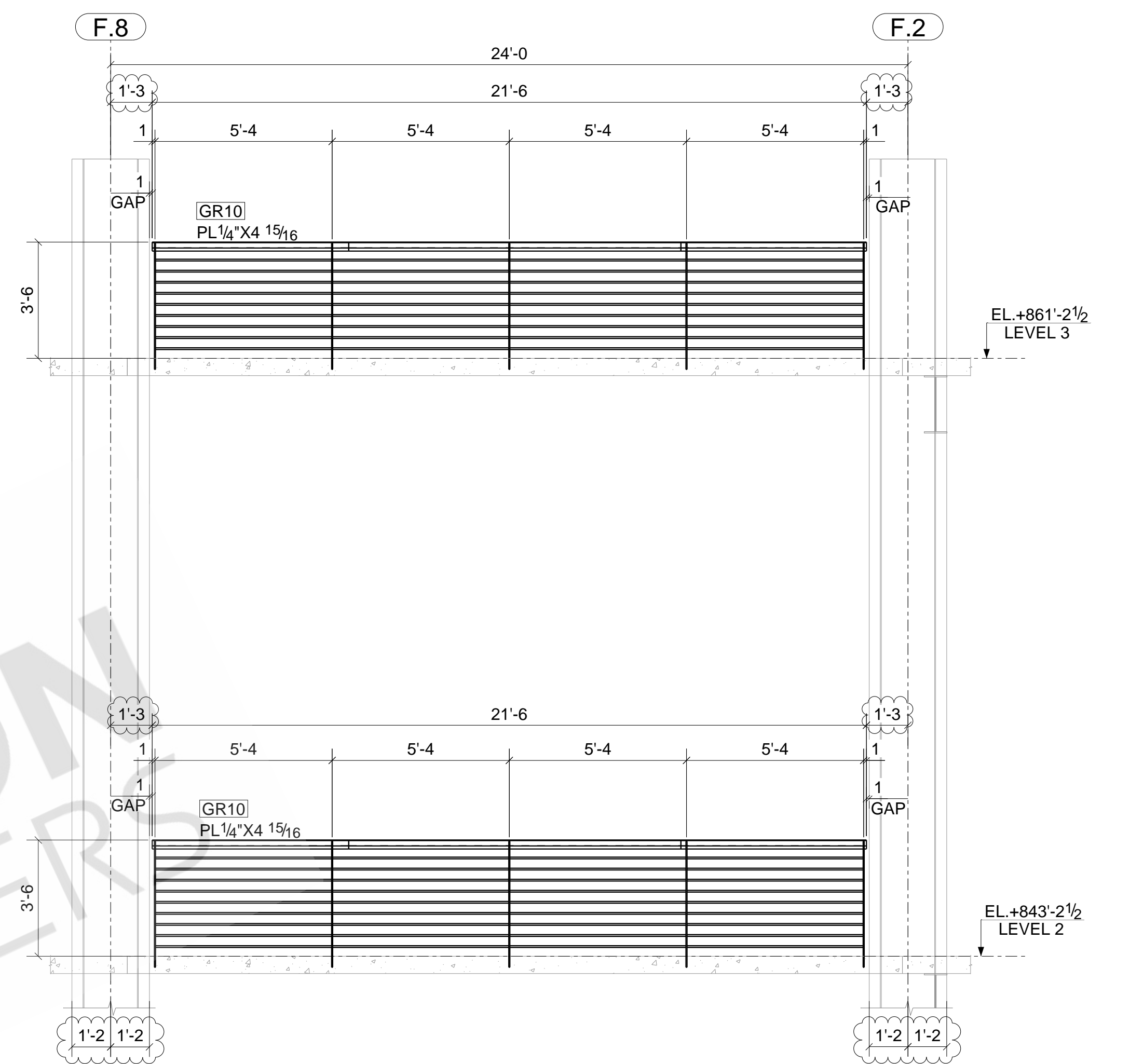
DRAWING STATUS			
SHOP PAINT:	AS NOTED	A36 U.N.O.	
AS NOTED	AS NOTED	E70 XX LH	
PROJECT: TRULIANT MONUMENTAL STAIR			DRAWN BY: DSA
DESCRIPTION: SECTION SHEET			CHECKED BY: RAD
ARCH:	ENG:	JOB NO:	
CUSTOMER:			SHEET NO: SME05



SECTION G - G
SEE SME01 & SME02



SECTION H - H
SEE SME01 & SME02

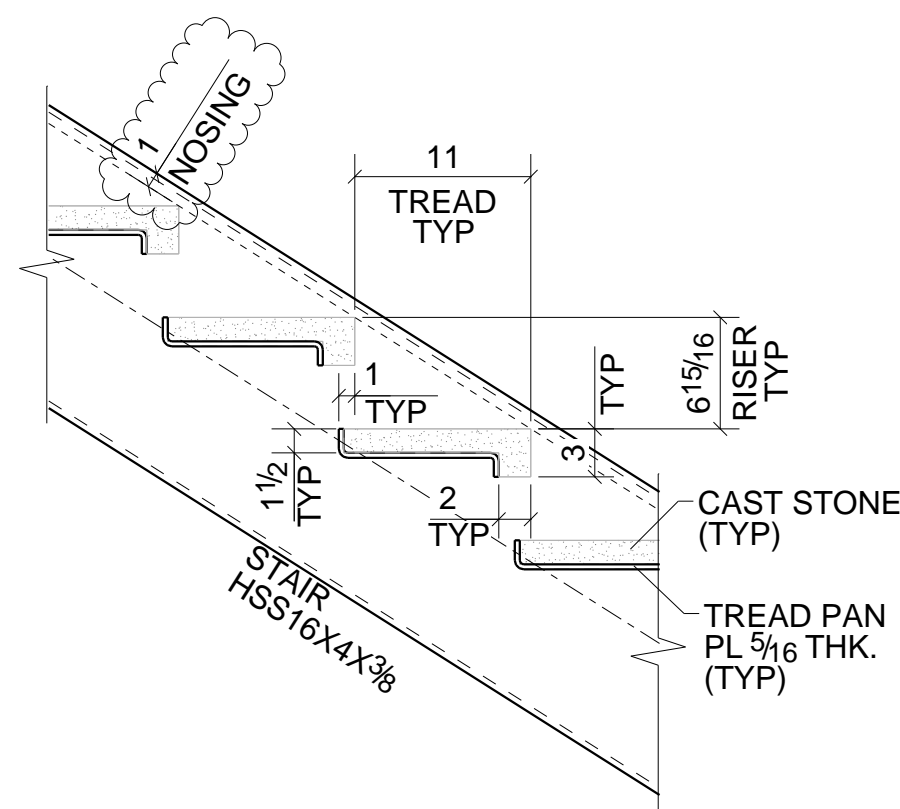


SECTION J - J
SEE SME01 & SME02

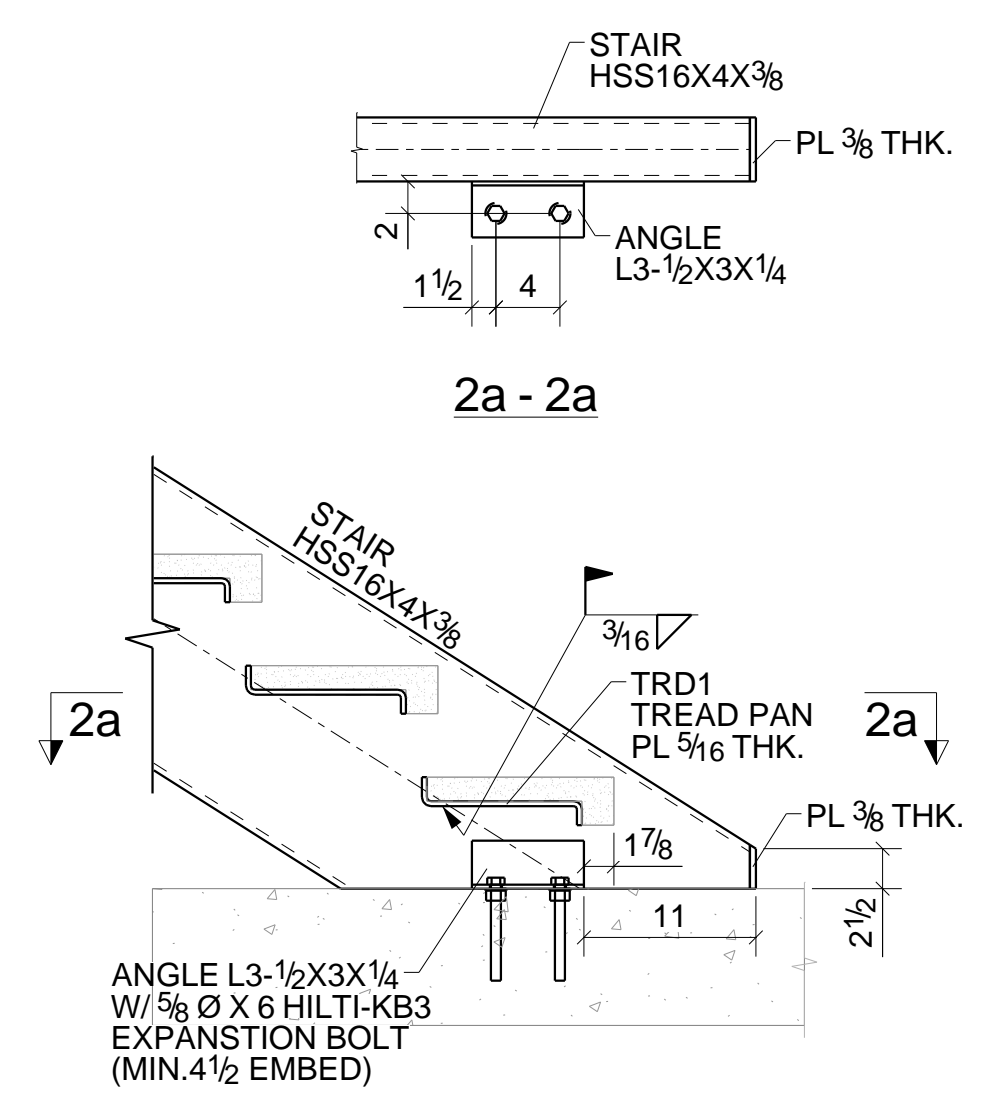
GC NOTES:
1.G.C. TO FIELD VERIFY ALL CONDITION, DIMENSIONS & ELEVATION.
2.G.C. TO VERIFY ALL CLOUDED PORTION.

REF DWG:

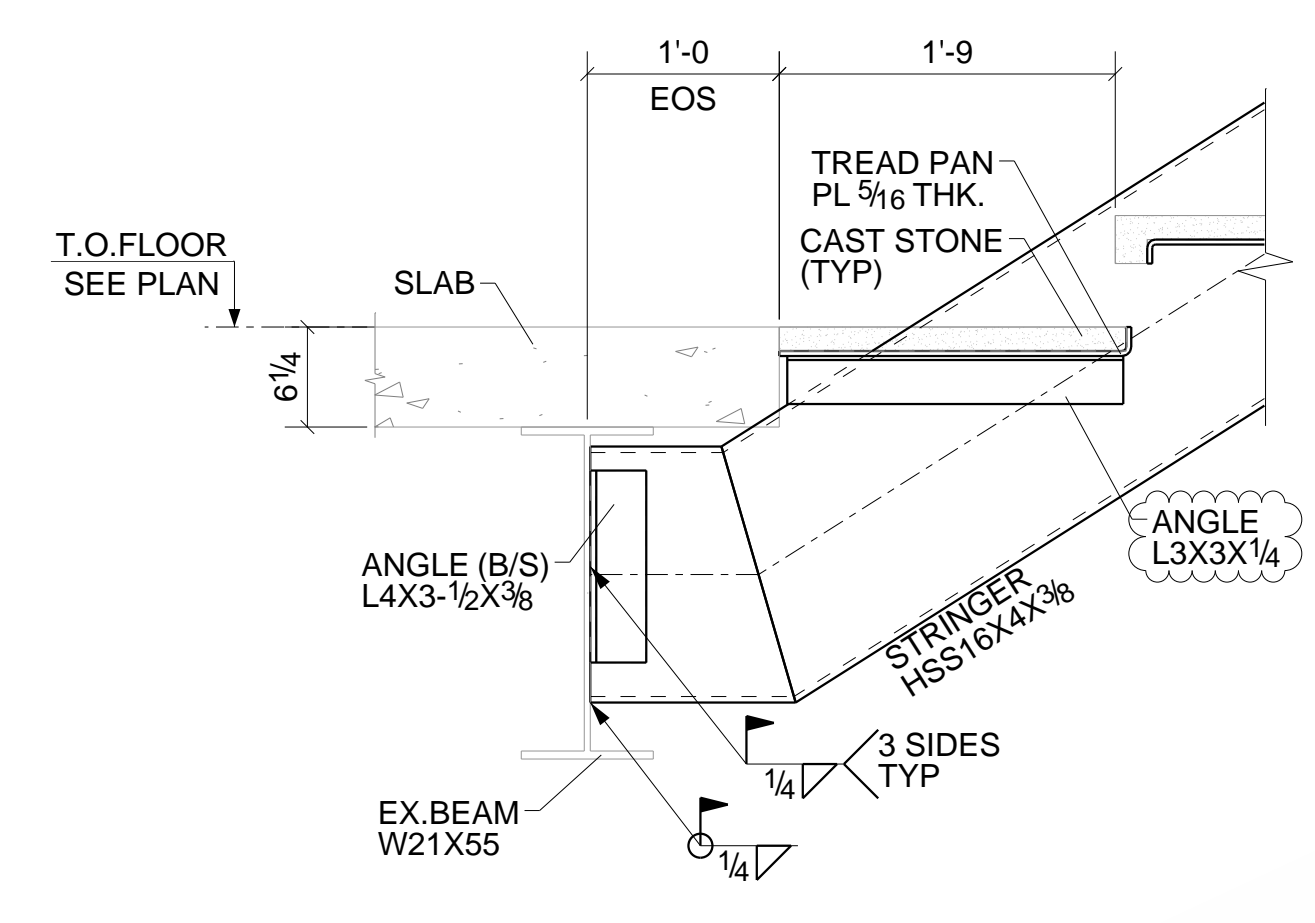
DRAWING STATUS			
SHOP PAINT:	AS NOTED	A36 U.N.O.	
AS NOTED	AS NOTED	E70 XX LH	
PROJECT: TRULIANT MONUMENTAL STAIR			DRAWN BY: DSA
DESCRIPTION: SECTION SHEET			CHECKED BY: RAD
ARCH:	ENG:	JOB NO:	
CUSTOMER:			SHEET NO: SME06



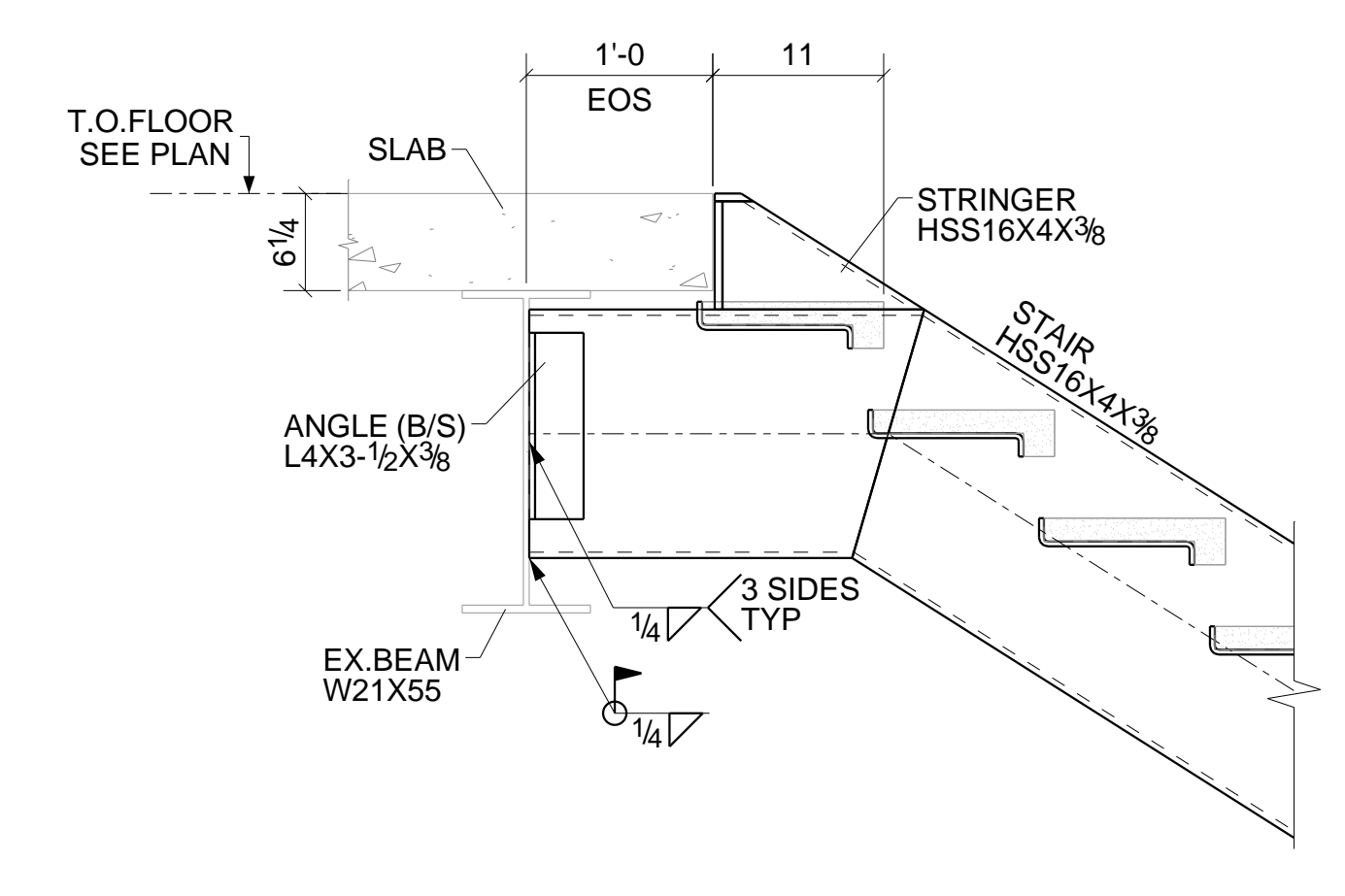
DETAIL -1
TYPICAL STAIR TREAD ARRANGEMENT DETAIL



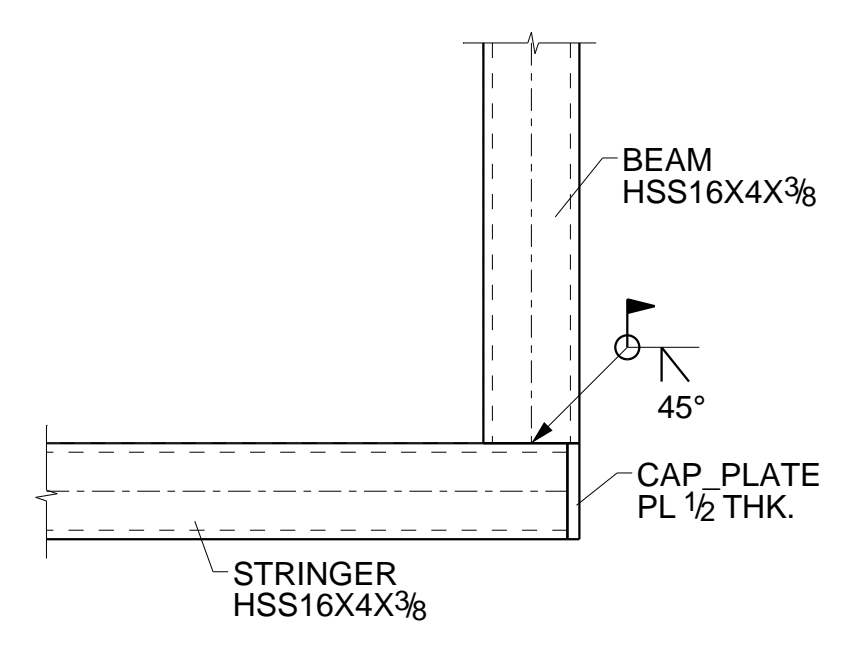
DETAIL -2
TYPICAL STAIR BASE CONN. DETAIL



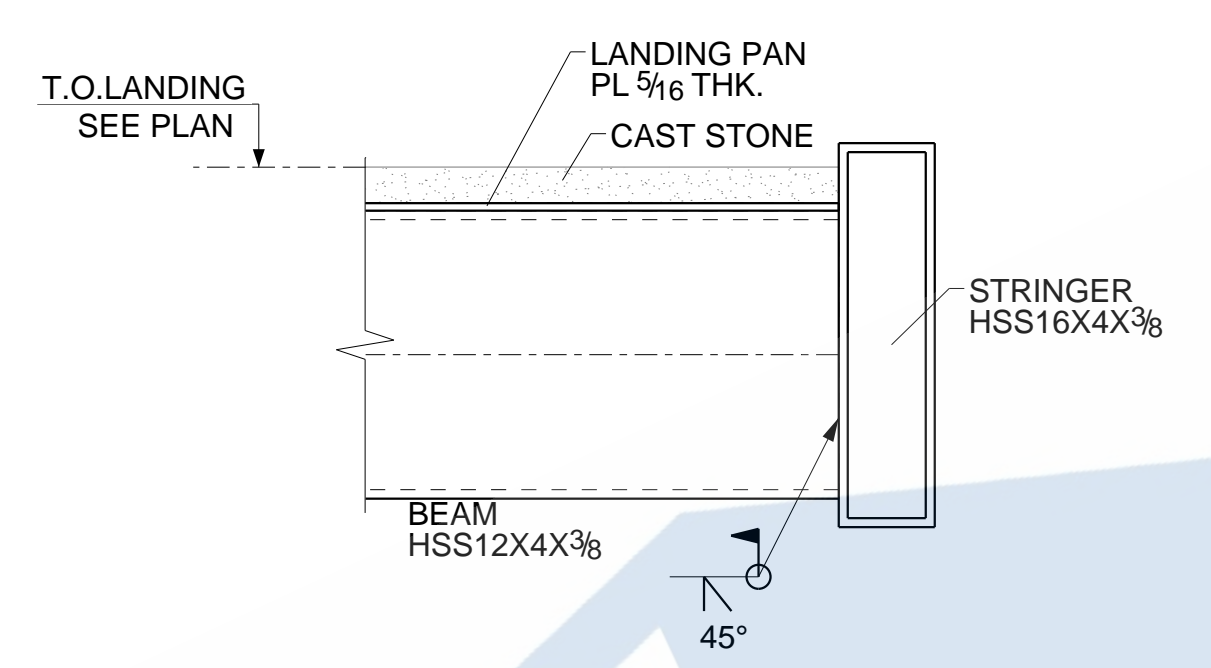
DETAIL -3
TYPICAL STAIR TO FLOOR BEAM CONN. DETAIL (AT BOTTOM)



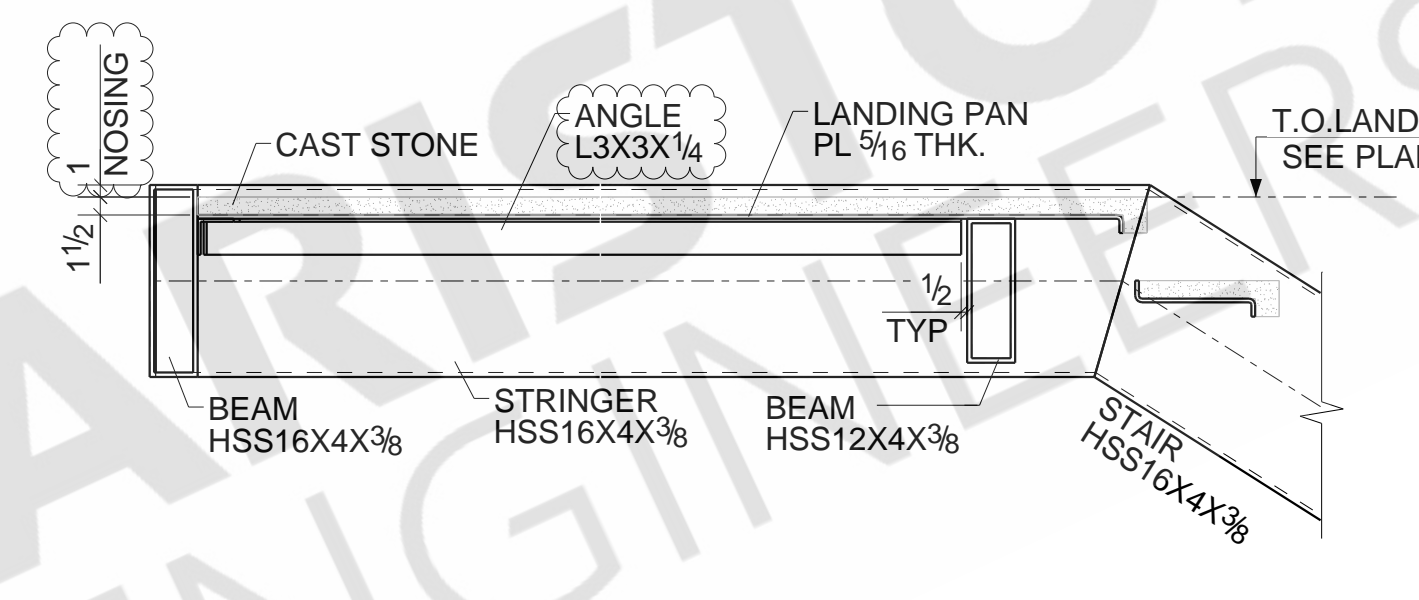
DETAIL -4
TYPICAL STAIR TO FLOOR BEAM CONN. DETAIL (AT TOP)



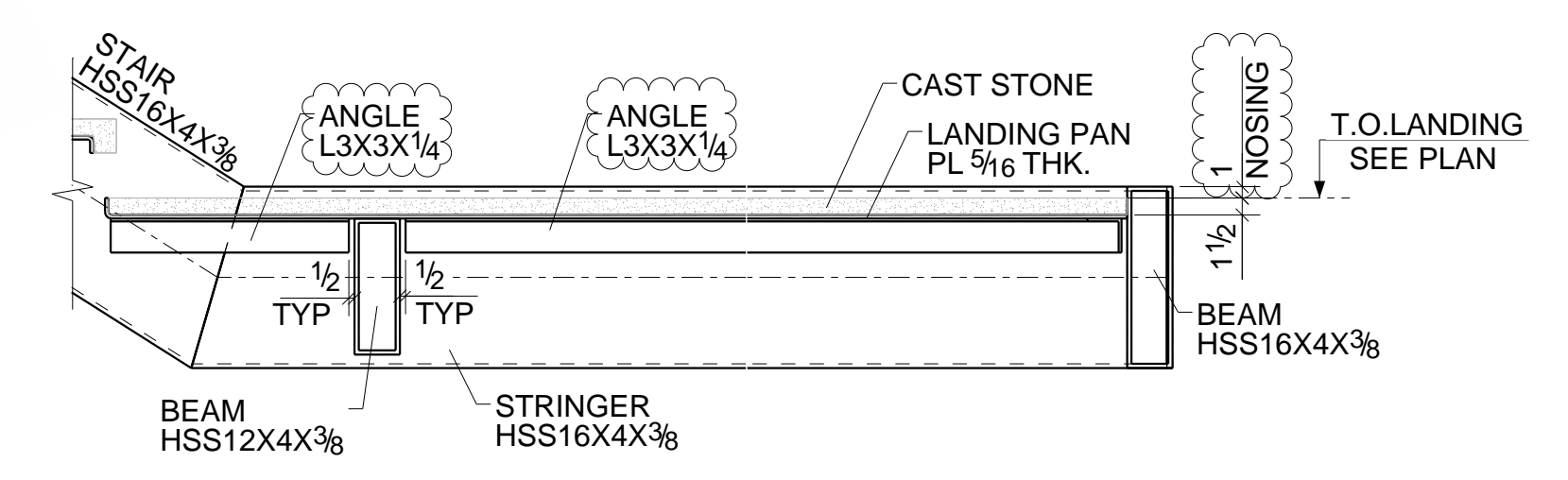
DETAIL -5
TYPICAL STRINGER TO STRINGER CONN. DETAIL



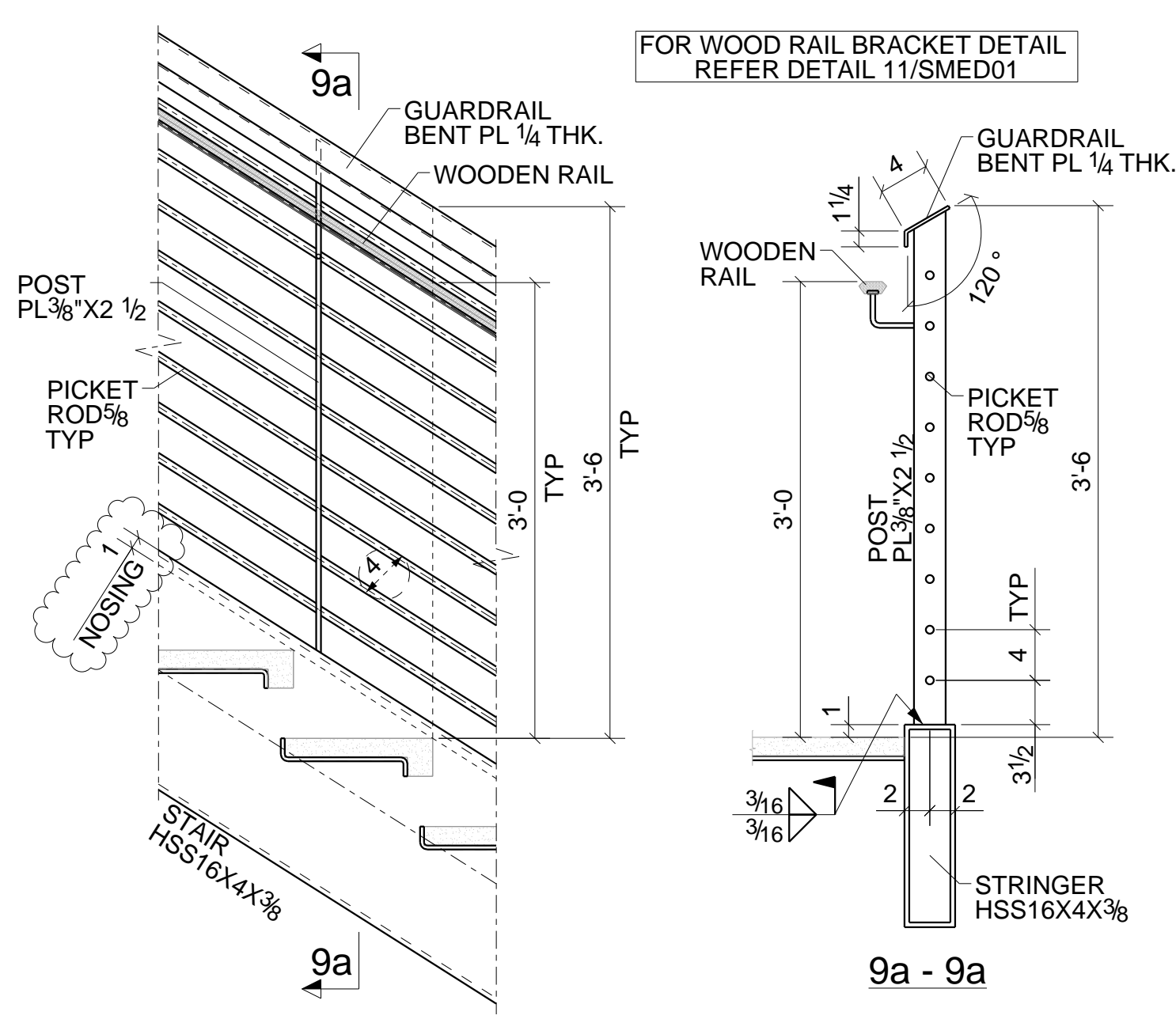
DETAIL -6
TYPICAL LANDING BEAM TO STRINGER CONN. DETAIL



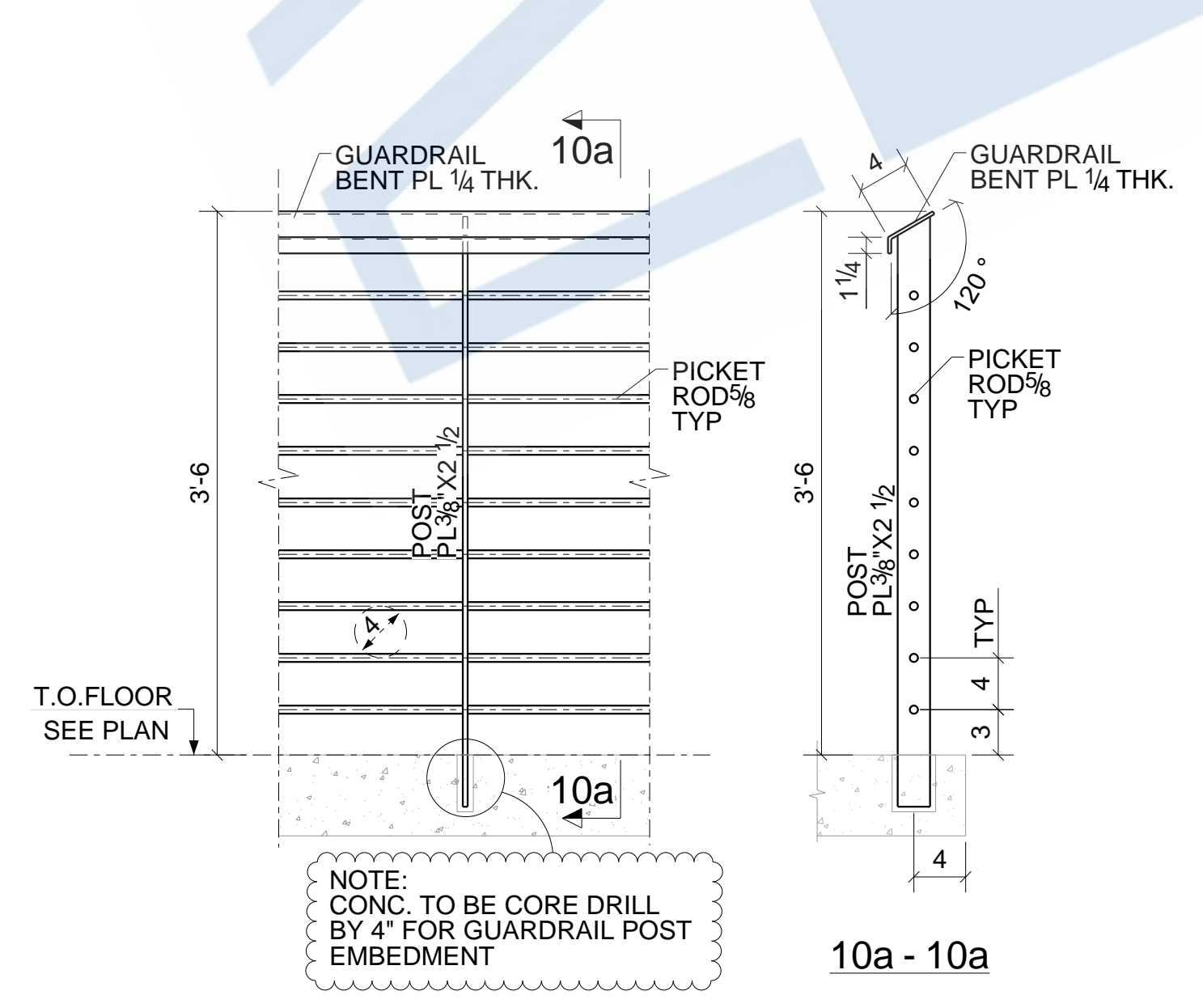
DETAIL -7
LANDING ARRANGEMENT ANGLE
SEE SME3 & SME4



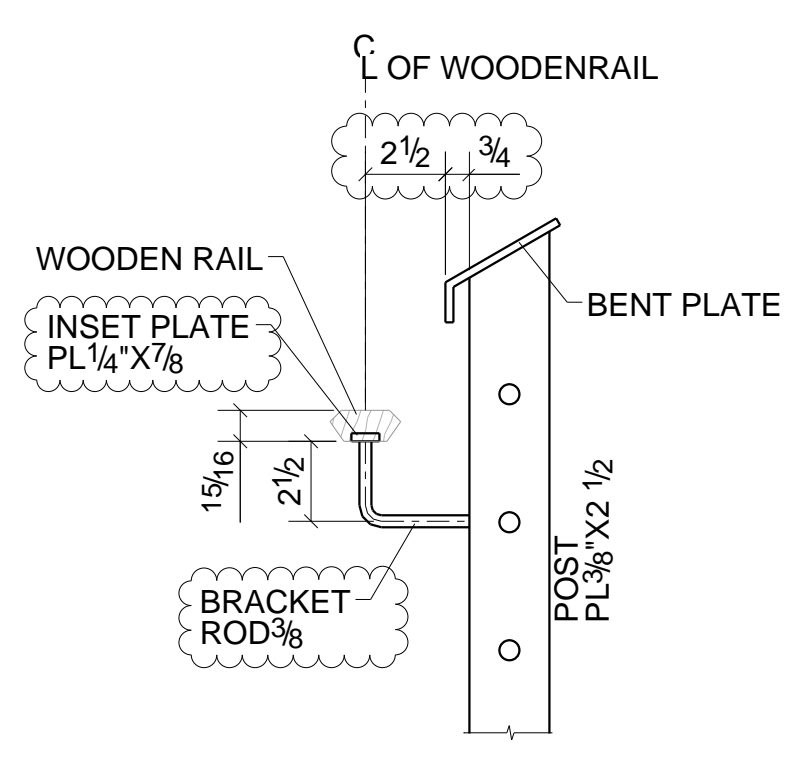
DETAIL -8
LANDING ARRANGEMENT ANGLE
SEE SME3 & SME4



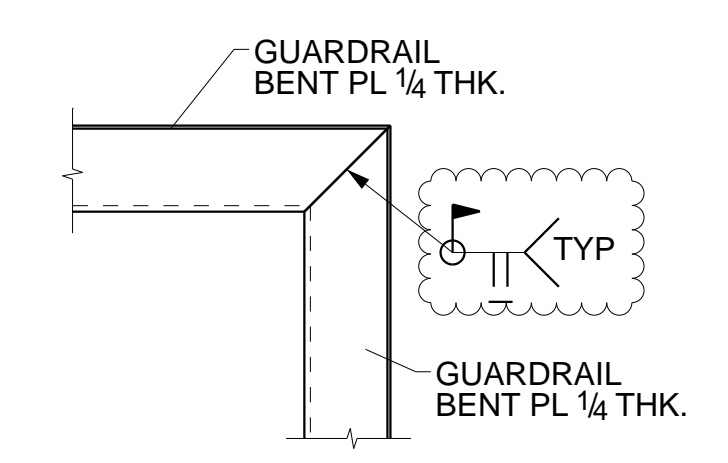
DETAIL -9
TYPICAL STAIR RAILING ARRANGEMENT



DETAIL -10
TYPICAL FLOOR RAILING ARRANGEMENT



DETAIL -11
TYPICAL HANDRAIL BRACKET DETAIL



DETAIL -12
TYPICAL RAILING TO RAILING CONN. DETAIL

GC NOTES:
1.G.C. TO FIELD VERIFY ALL CONDITION,DIMENSIONS & ELEVATION.
2.G.C. TO VERIFY ALL CLOUDED PORTION.

REF DWG:

DRAWING STATUS			
SHOP PAINT:	AS NOTED	A36 U.N.O.	
AS NOTED	AS NOTED	E70 XX LH	
PROJECT:	TRULIANT MONUMENTAL STAIR		
DESCRIPTION:	DETAIL SHEET		
ARCH:	ENG:	JOB NO:	DRAWN BY: DSA
CUSTOMER:		SHEET NO: SMED01	CHECKED BY: RAD